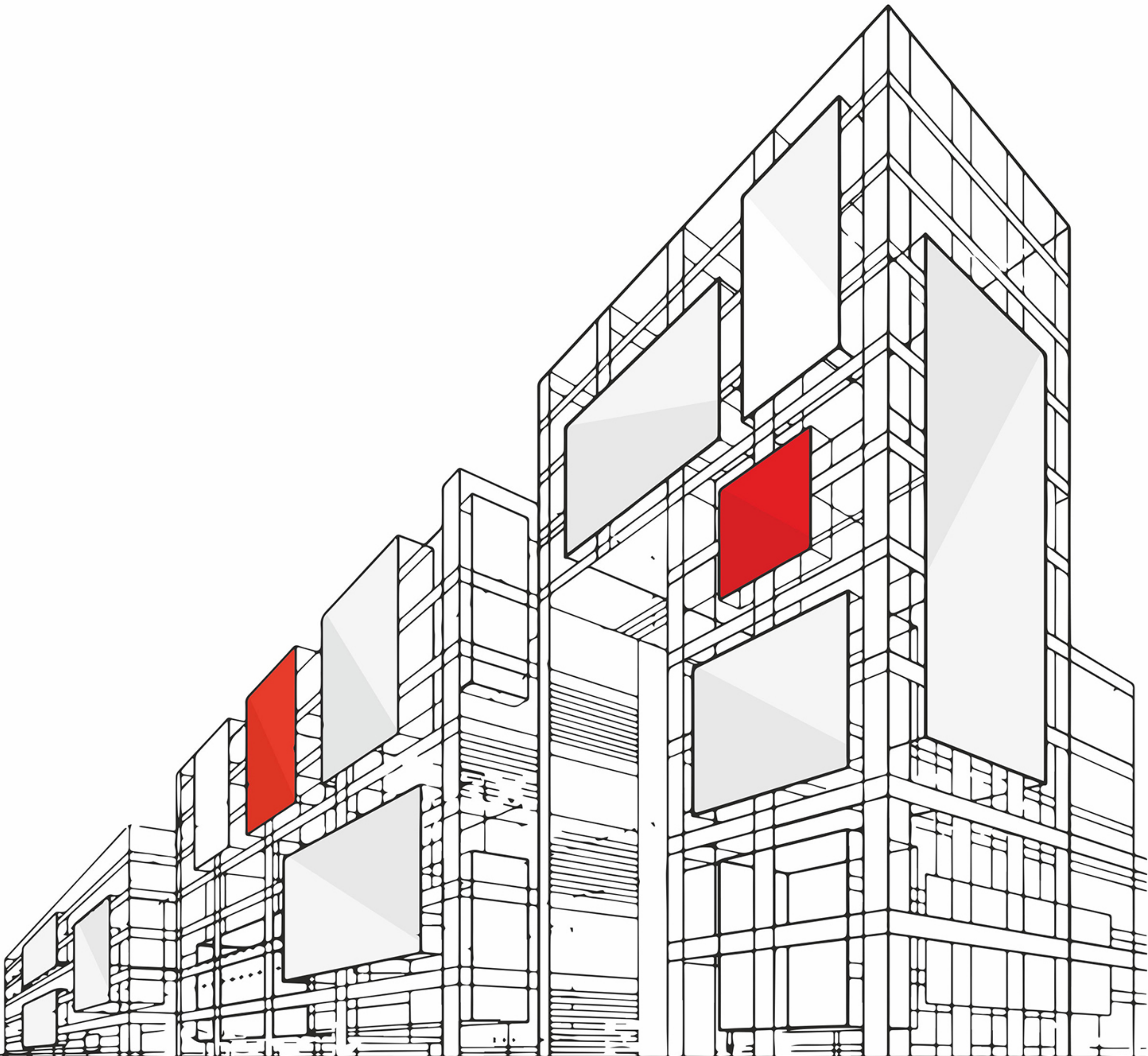
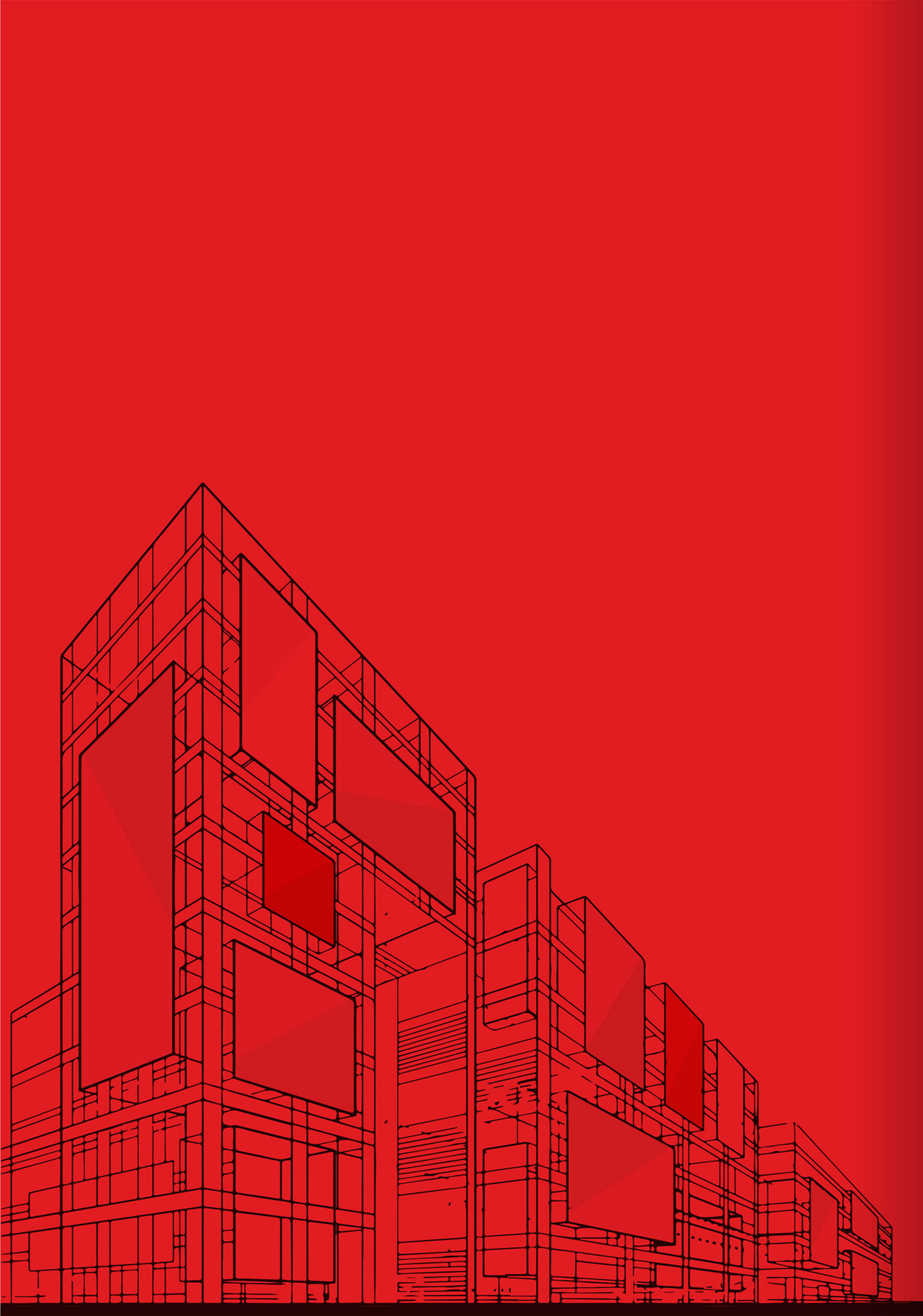




YEAR 2023





WHO

WE ARE

Cardinal System is an exclusive aluminium door and window system brand of Laxmi Trading Company. Since 1981, Laxmi Trading Company is engaged in supplying of highest quality aluminium sections with singular vision of our founder Shri Ghanshyambhai Patel. We are following the same vision, Cardinal System has evolved in to supplying one of the best quality aluminium system door and windows across India with support of our esteem suppliers like Jindal Aluminium, Avigiri Urethane & Rubber Industries and many other brands.

We take pride in the long-standing relationships we have built with architects and builders along with prestigious window manufacturers. We are also working with many well-known national and international aluminium and hardware manufacturers as well India's top window manufacturers. We have maintained these relationships by providing efficient quality work from the beginning of a project through the completion. We are experienced in designing, engineering, ordering, delivering, and working closely with manufacturers.

We, at Laxmi Trading Company, are supported by a dedicated team of skilled workforce that enables us in catering the requirements of the clients spread across the country. Our team comprises of procurement agents, quality controllers and others who work in proximity with each other to deliver the good within the stipulated frame at the client's door step.

We provide readily available more than 50 windows and door system throughout the country with highest quality of aluminium extrusion and hardware through strong supply-chain management, regional warehouse and very strong after-sale support system.



Cardinal Sliding System is high quality aluminium profiles with multiple typology options. It has smooth and effortless sliding system with option of fix and sliding window combination. With the help of euro groove design and quality hardware multipoint option and single point option is available for better locking experience. It has acoustic performance with cost effective way to satisfied big project need at economy cost. Systems like, Sliding Windows, Sliding Door, Casement Door, Casement Window, Bifold Door and many more. Each series is available with suitable economy hardware support.



Cardinal Opulence is unique combination of Premium and Modest features at comparative price. It is hybrid slim system with slim interlock and slim vertical track option. High quality aluminium profile and unique hardware combination make perfect sliding system for current trend in India. System is available in DGU and Single Glass option in Sliding door, Sliding Window, Casement Window, Casement Door and Bifold Doors. Excellent performance and cost-effective design make systems first choice for every Morden projects. In addition, Multipoint lock and single point lock option is also available for better security.



Cardinal Excellence is designed to deliver luxury performance, beauty, durability and security with a premium feature like biometric lock, motorized opening, parallel opening Lift & Sliding Doors and slim windows. It's pure luxury jewellery for luxury home and offices with premium aluminium 6063 T6 extrusions quality. Cardinal Excellence represent the greatest architectural look with highest technology door and windows system for Indian Market.

OUR STRENGTH

40+ systems
ready stock available

200+ tons
of ready stock material

9000+ sq. ft.
warehousing space

30+ systems
experience centre in
3000 sq. ft. area

2000+
satisfied customers
all over India

Support
user friendly software for
sales & fabrication support

INDEX

CARDINAL SLIDING

| | |
|----------|----|
| CS.23 | 07 |
| CS.25 | 09 |
| CS.27 | 11 |
| CS.27.ES | 13 |
| CS.27.MR | 15 |
| CS.29 | 17 |
| CS.32 | 19 |
| CS.35 | 21 |
| CS.35.ES | 23 |
| CS.37 | 25 |

CARDINAL OPULENCE SLIDING

| | |
|--------|----|
| COS.20 | 27 |
| COS.28 | 29 |
| COS.35 | 31 |
| COS.39 | 33 |
| COS.49 | 35 |

CARDINAL EXCELLENCE SLIDING

| | |
|--------|----|
| CES.23 | 37 |
| CES.36 | 39 |
| CES.41 | 41 |
| CES.50 | 43 |

CARDINAL CASEMENT

| | |
|-------|----|
| CC.30 | 47 |
| CC.40 | 49 |
| CC.50 | 51 |

CARDINAL OPULENCE CASEMENT

| | |
|--------|----|
| COC.40 | 53 |
|--------|----|

CARDINAL EXCELLENCE CASEMENT

| | |
|--------|----|
| CEC.50 | 55 |
|--------|----|

CARDINAL TILT & TURN

| | |
|--------|----|
| CTT.50 | 57 |
|--------|----|

CARDINAL OPULENCE TILT & TURN

| | |
|--------|----|
| COT.40 | 59 |
|--------|----|

CARDINAL EXCELLENCE TILT & TURN

| | |
|---------------------------|----|
| CET.50 | 61 |
| CEP.50 (Parallel Opening) | 63 |

CARDINAL DOOR

| | |
|-------|----|
| CD.40 | 67 |
| CD.50 | 69 |

CARDINAL OPULENCE DOOR

| | |
|--------------------|----|
| COD.40 (Door Euro) | 71 |
|--------------------|----|

CARDINAL EXCELLENCE DOOR

| | |
|--------|----|
| CED.75 | 73 |
|--------|----|

CARDINAL BIFOLD DOOR

| | |
|--------|----|
| CBD.50 | 74 |
| CBD.65 | 75 |

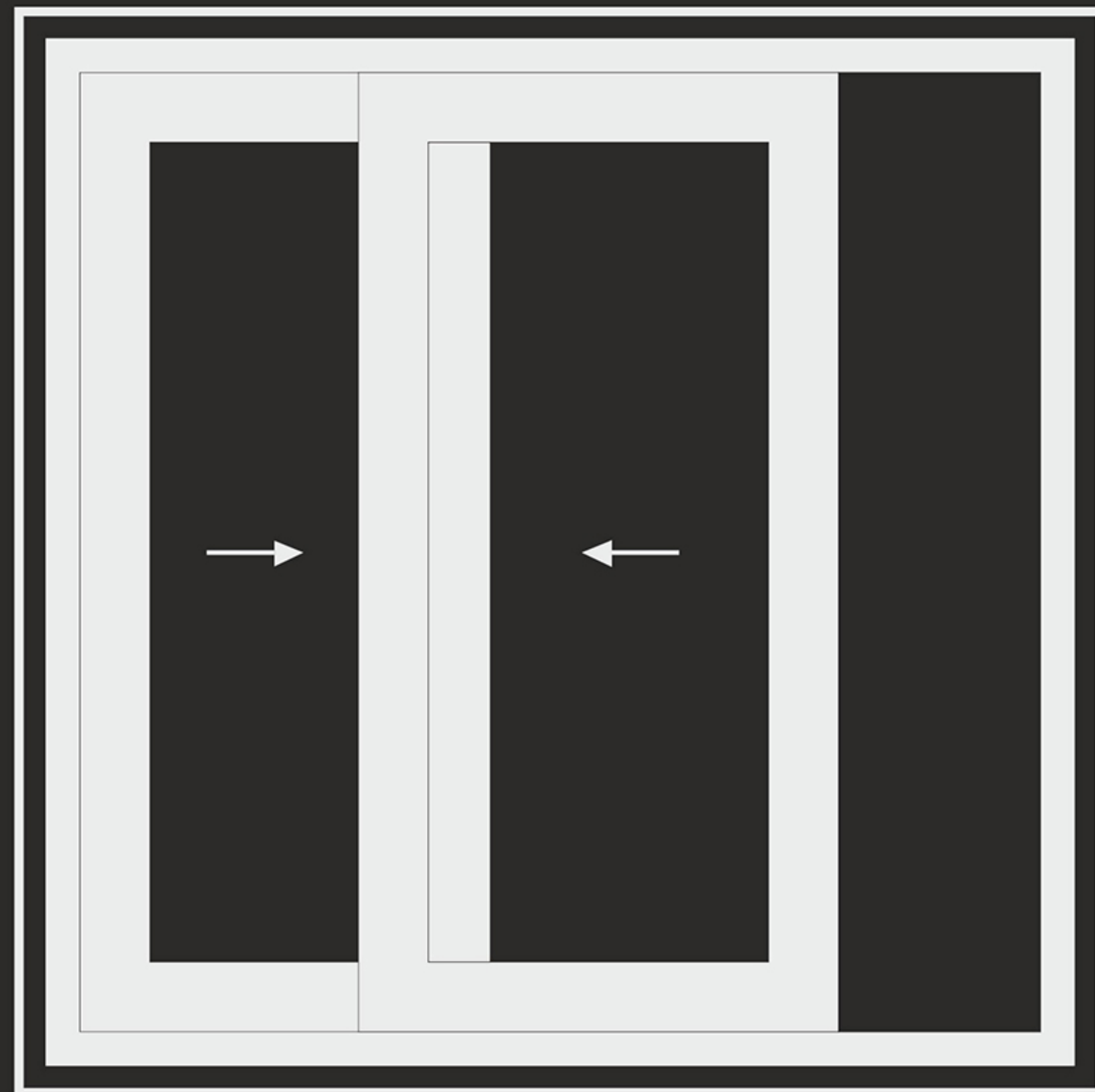
CARDINAL OPULENCE BIFOLD DOOR

| | |
|--------|----|
| CBD.59 | 76 |
| CBD.85 | 77 |

CARDINAL FACADE

| | |
|--------|----|
| CFS.40 | 80 |
| CFS.45 | 81 |
| CFS.57 | 82 |
| CFS.67 | 83 |

SLIDING SYSTEMS



CARDINAL SLIDING

| | |
|----------|----------|
| CS.23 | CS.29 |
| CS.25 | CS.32 |
| CS.27 | CS.35 |
| CS.27.ES | CS.35.ES |
| CS.27.MR | CS.37 |

CARDINAL OPULENCE SLIDING

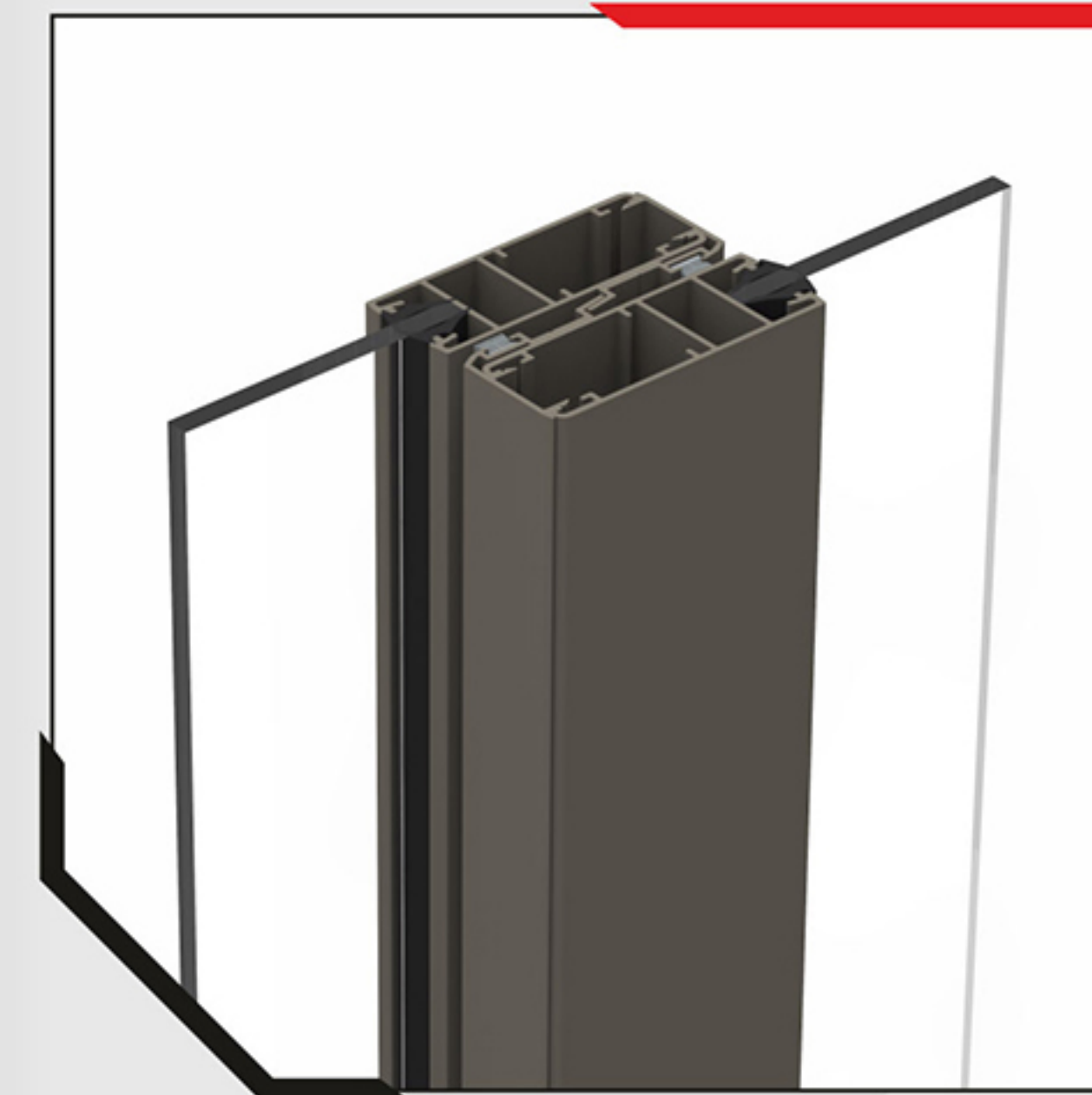
| | |
|--------|--------|
| COS.20 | COS.39 |
| COS.28 | COS.49 |
| COS.35 | |

CARDINAL EXCELLENCE SLIDING

| | |
|--------|--------|
| CES.23 | CES.41 |
| CES.36 | CES.50 |

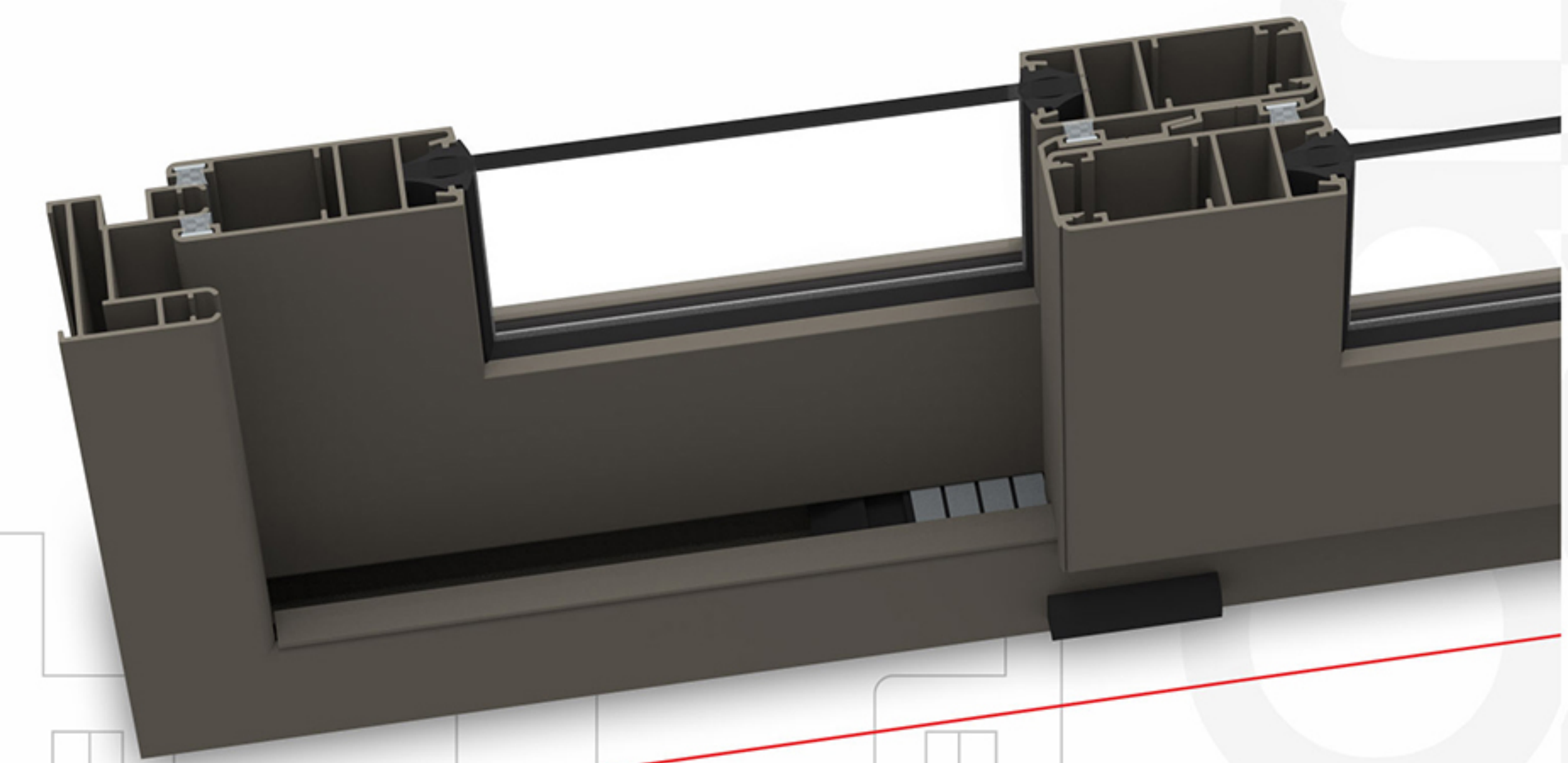
CS.23

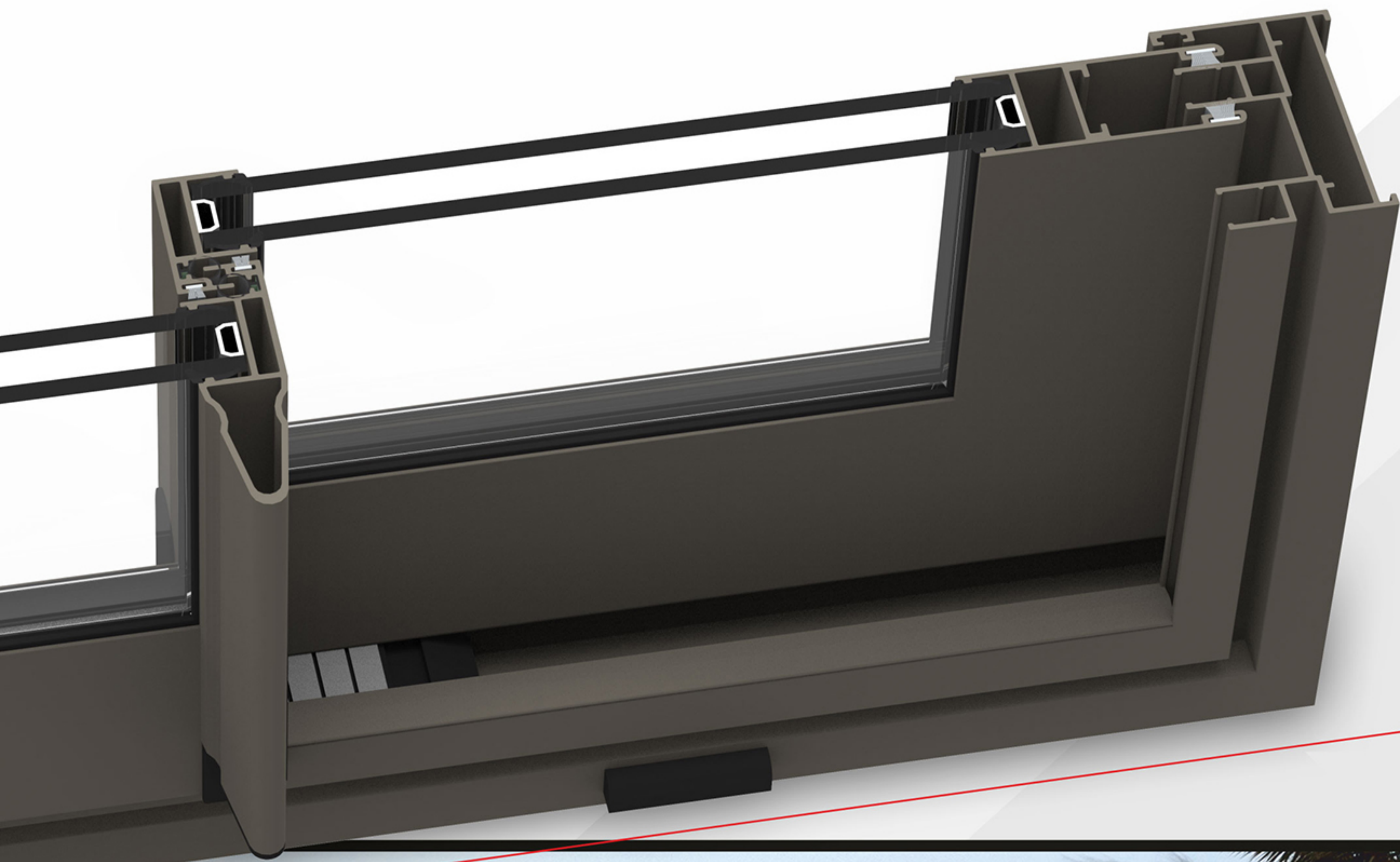
23mm Cardinal Sliding



TECHNICAL CHARACTERISTICS

| | |
|----------------------------------|---------------------|
| Window Height (Max) | 1900mm |
| Sash Height & Width | 63mm / 23mm |
| Interlocking Visible Face Width | 63mm |
| - Non Slim Interlock | 63mm |
| Track Option & Depth | |
| - 2 Track Depth & Visible Height | 40mm / 35mm |
| - 3 Track Depth & Visible Height | 70mm / 35mm |
| Corner Joint | |
| - Track Joint | 45 Degree |
| - Sash Joint | 45 Degree |
| Glass Range | |
| - Single Glass Sash | 4mm to 6mm |
| Roller Weight Capacity (2 Pcs.) | |
| - Fix Single Roller | 45kg / Sash |
| - Fix Double Roller | 65kg / Sash |
| Locking Type | Single & Multipoint |





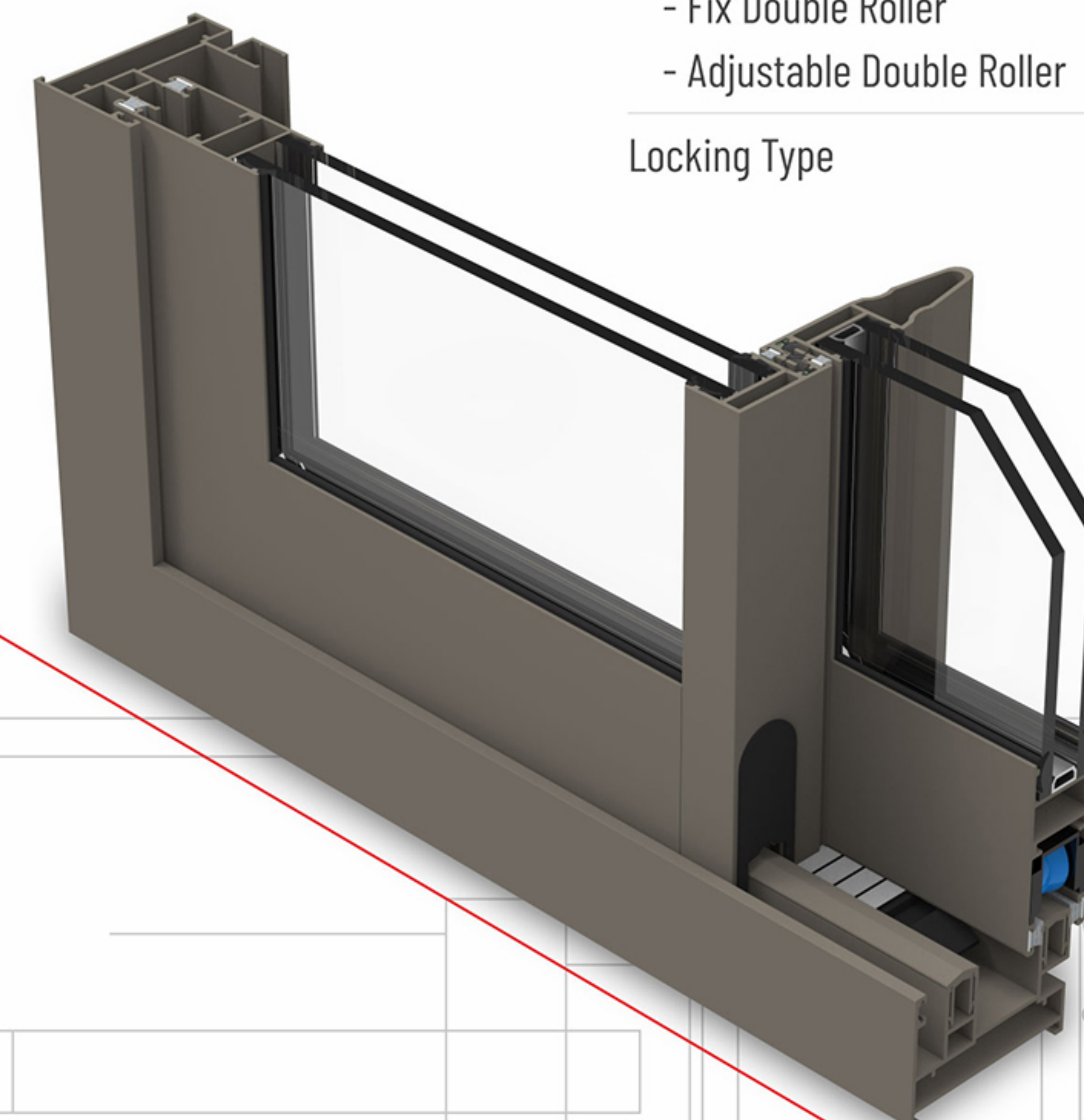
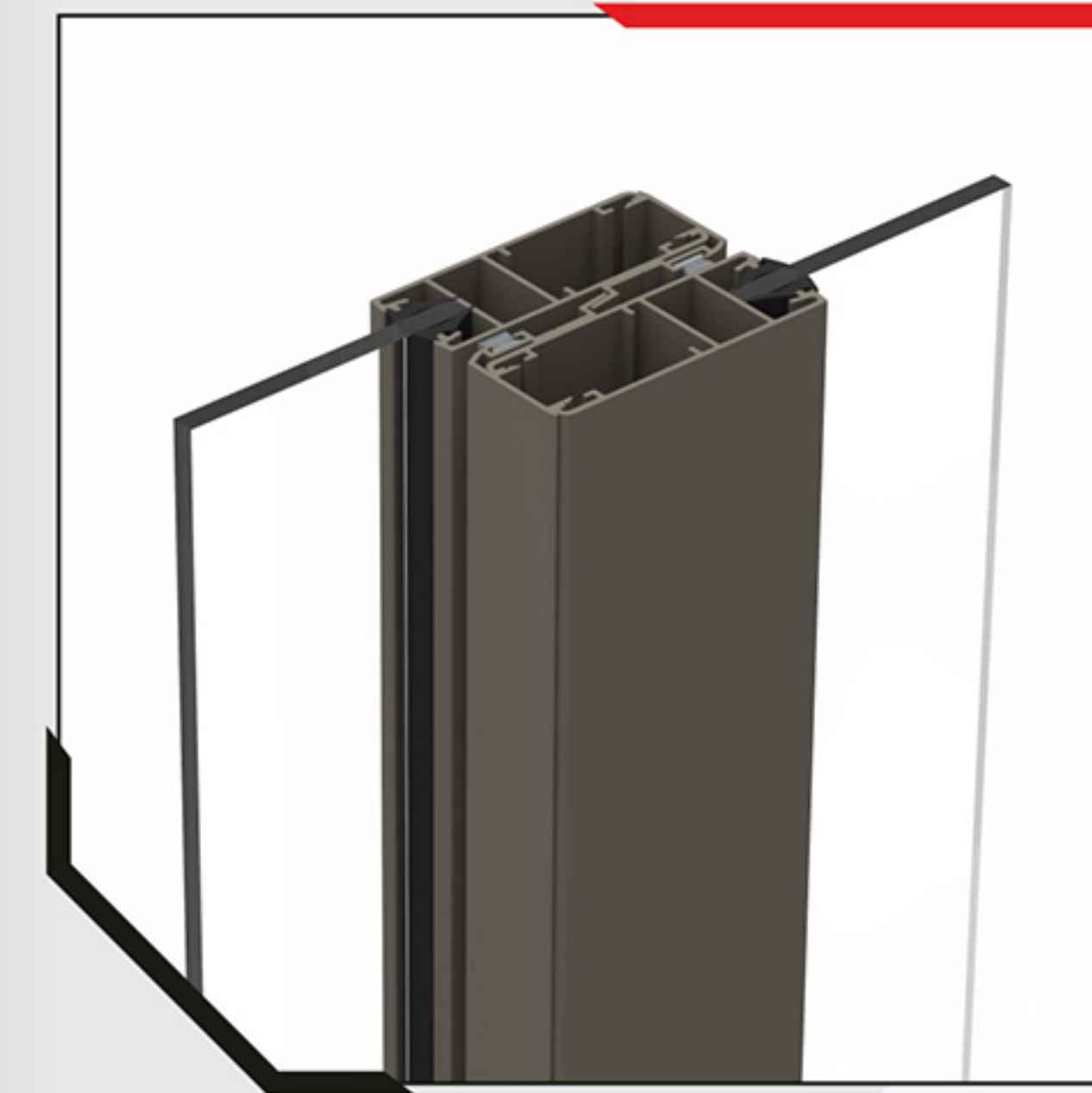
CS.25

25mm Cardinal Sliding



TECHNICAL CHARACTERISTICS

| | |
|---|----------------------------------|
| Window Height (Max) | 2200mm |
| Sash Height & Width | 63mm / 25mm |
| Interlocking Visible Face Width | |
| - Slim Interlock | 20mm |
| - Non Slim Interlock | 63mm |
| Track Option & Depth | |
| - 2 Track Depth & Visible Height | 50/40mm & 64/43mm |
| - 2 Track with Grill Depth & Visible Height | 126/43mm |
| - 3 Track Depth & Visible Height | 89/40mm & 101/43mm |
| - 3 Track with Grill Depth & Visible Height | 150/43mm |
| - 4 Track Depth & Visible Height | 150/43mm |
| - Single Track Addition Option | Available for Outside |
| Corner Joint | |
| - Track Joint | 45 Degree |
| - Sash Joint | 45 Degree |
| - Slim Interlock | 90 Degree |
| Glass Range | |
| - Single Glass Sash | 4mm to 6mm |
| - Double Glass Sash | 16mm / 4mm to 6mm (with reducer) |
| Roller Weight Capacity (2 Pcs.) | |
| - Fix Single Roller | 45kg / Sash |
| - Fix Double Roller | 65kg / Sash |
| - Adjustable Double Roller | 160kg / Sash |
| Locking Type | Single & Multipoint |



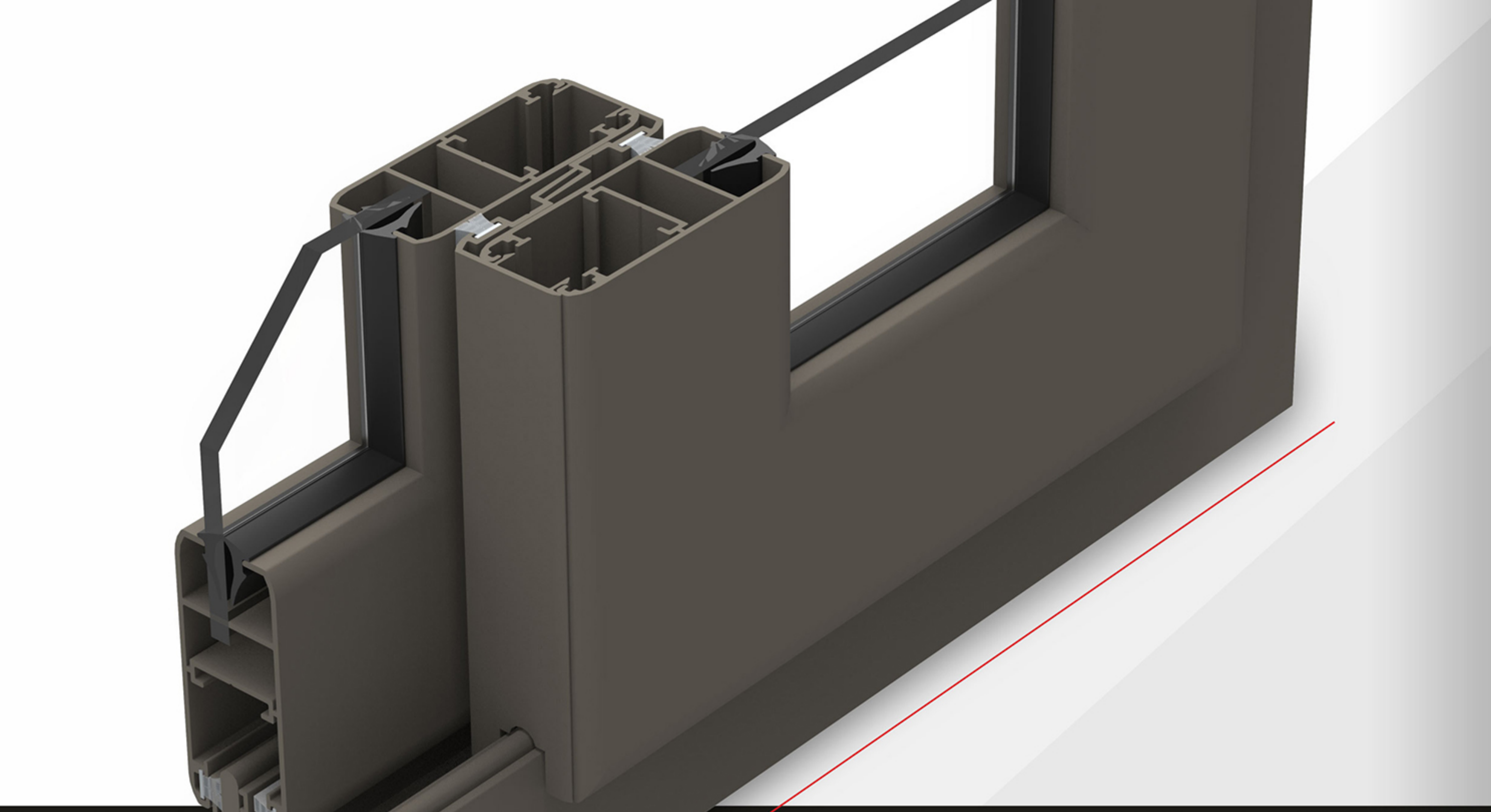
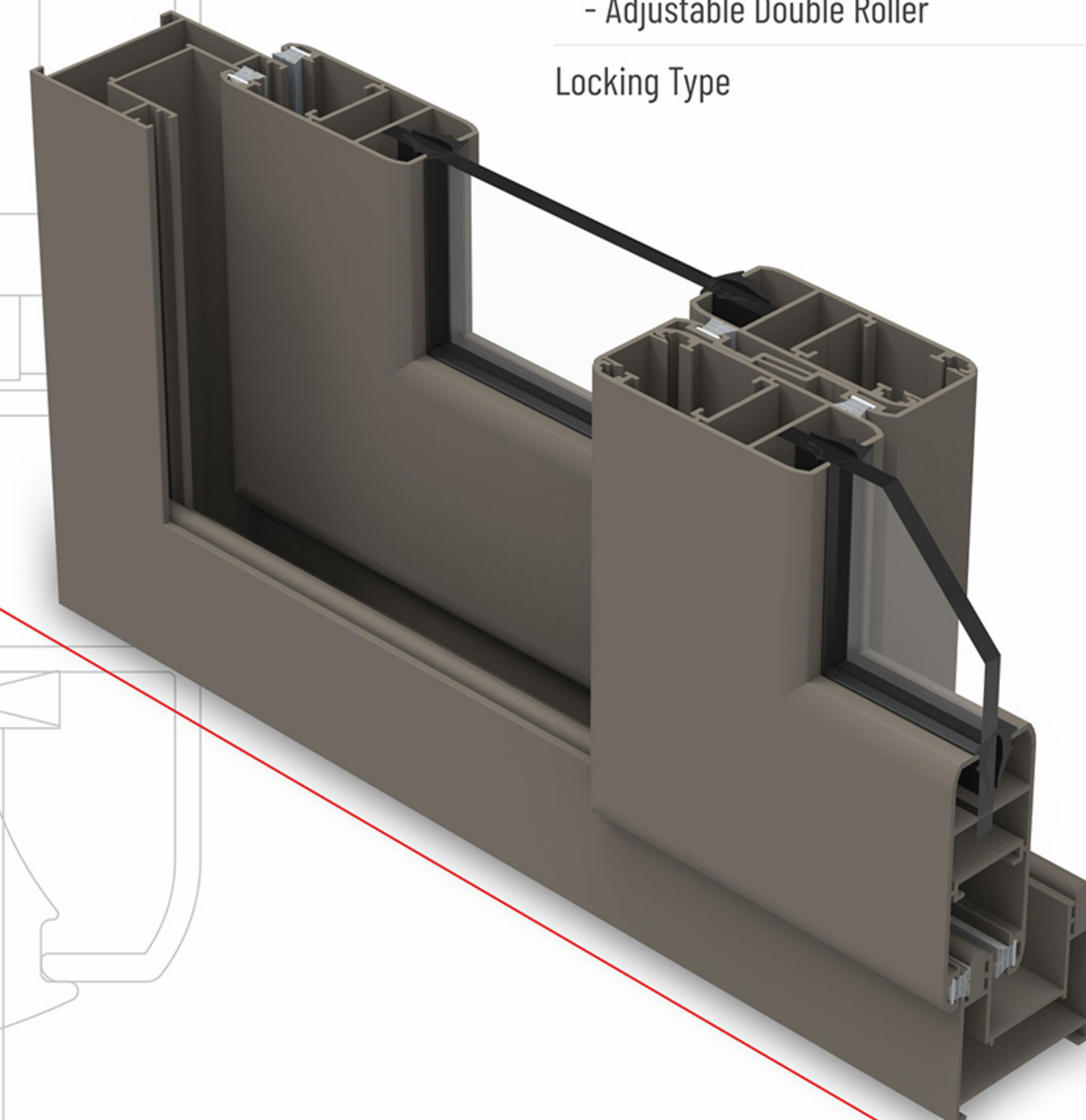
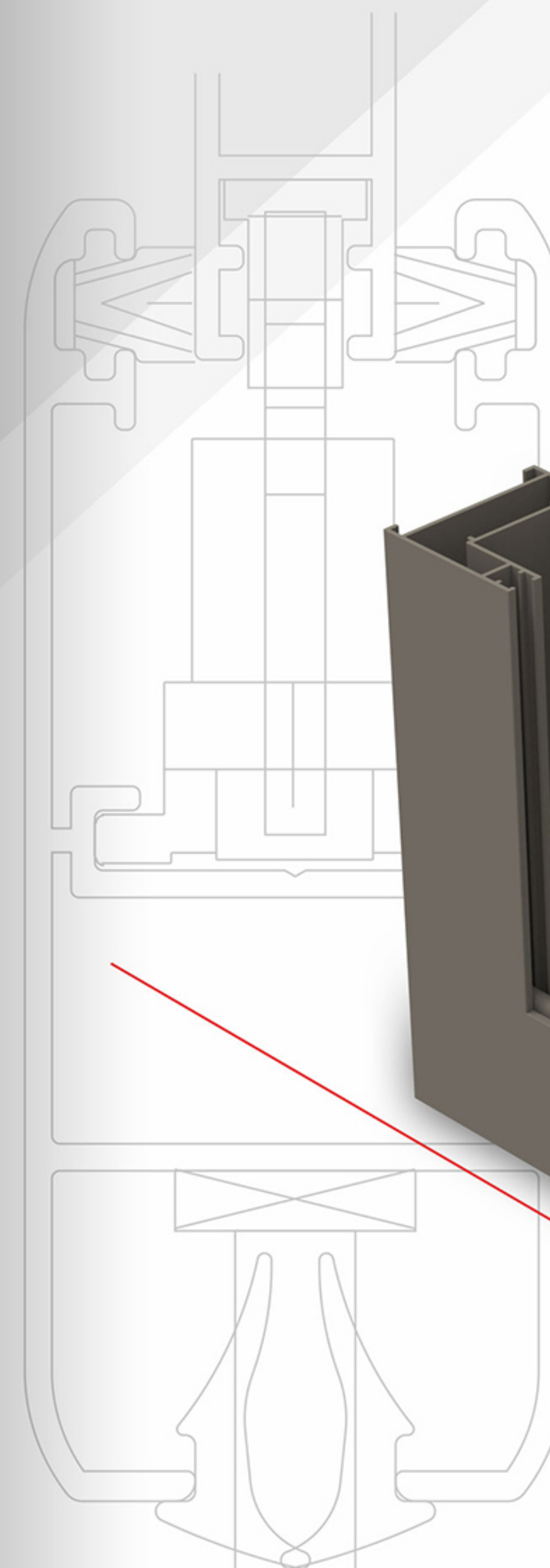
CS.27

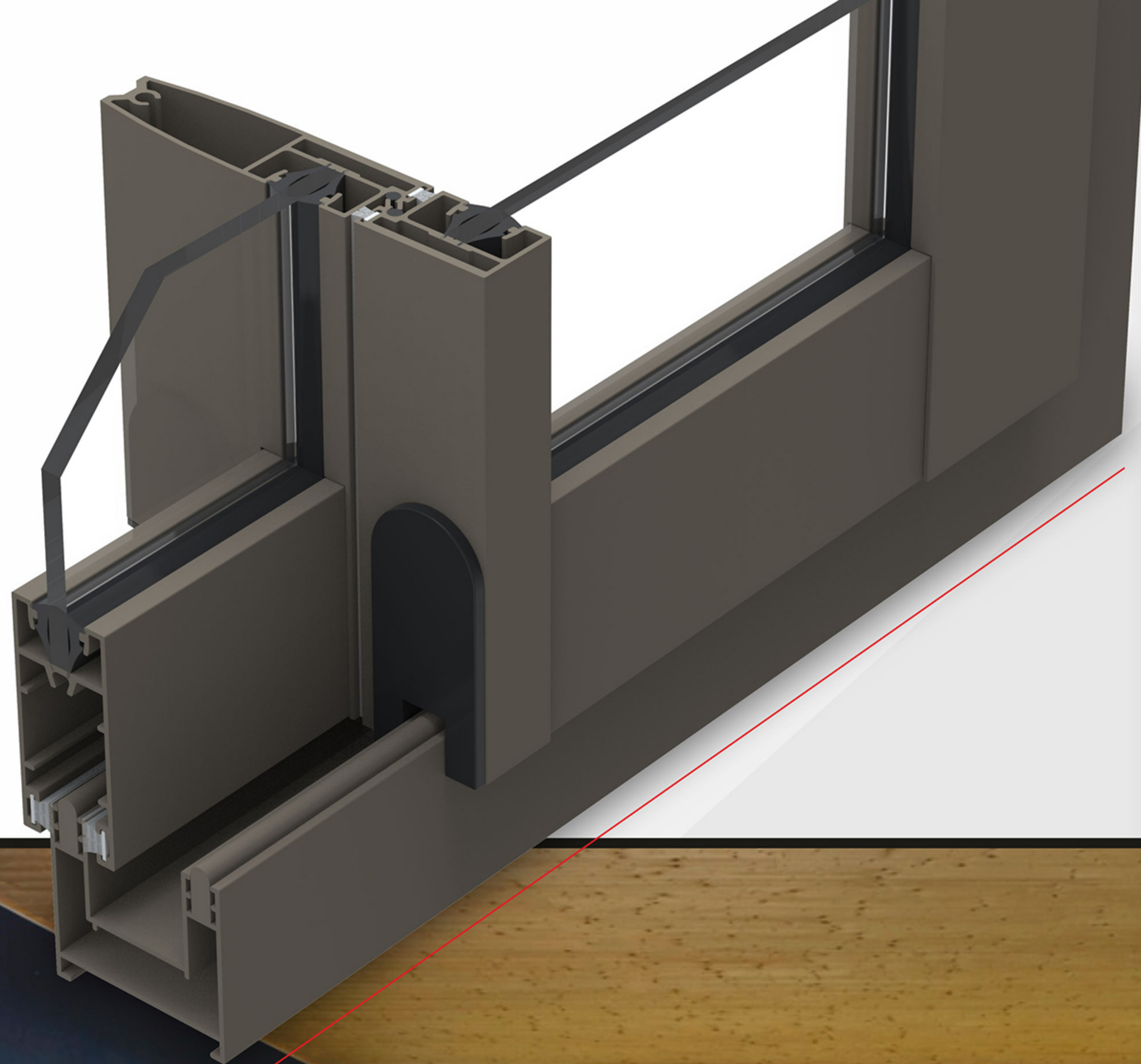
27mm Cardinal Sliding



TECHNICAL CHARACTERISTICS

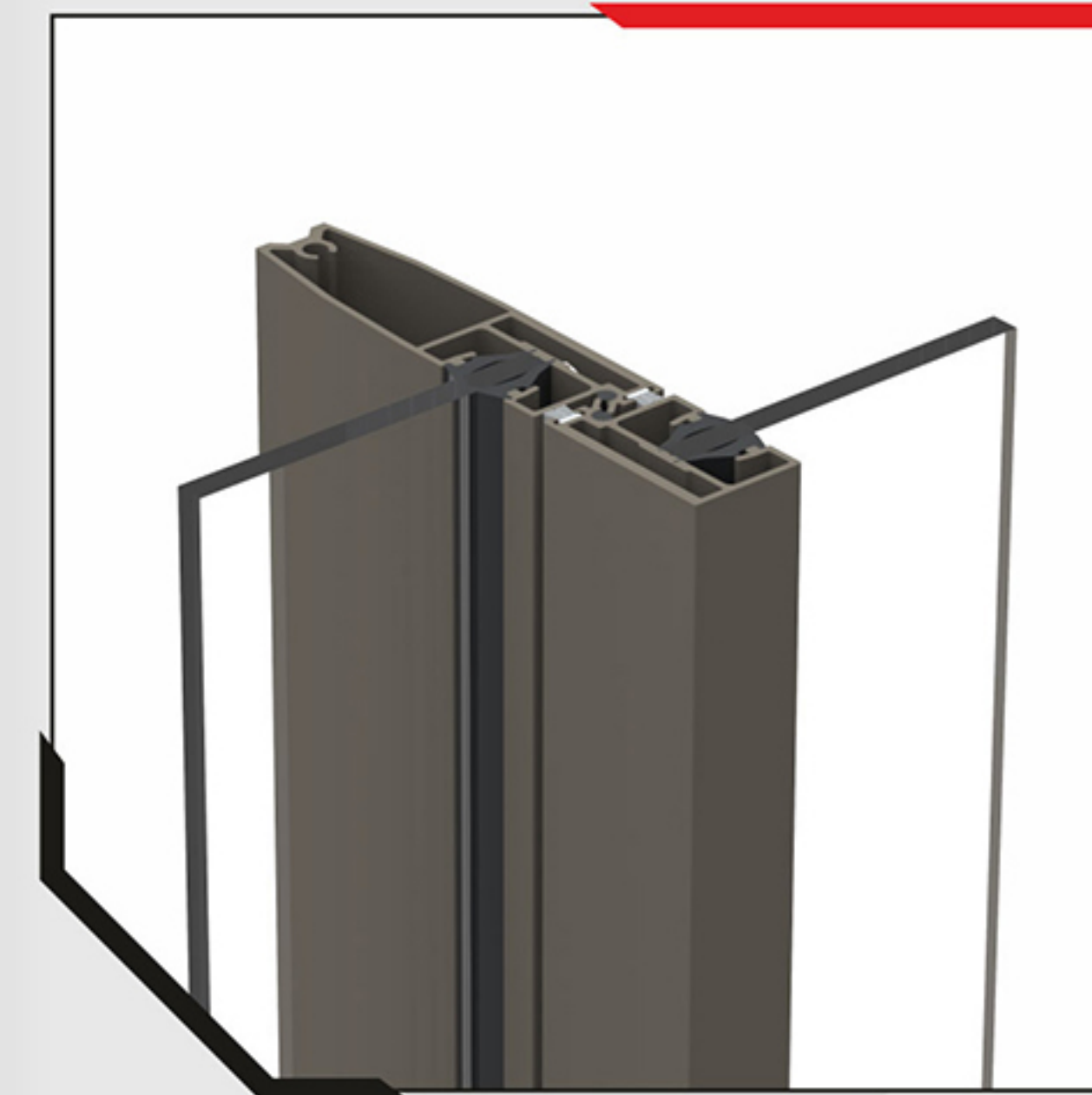
| | |
|----------------------------------|---------------------|
| Window Height (Max) | 2200mm |
| Sash Height & Width | 65mm / 27mm |
| Interlocking Visible Face Width | 65mm |
| - Non Slim Interlock | 65mm |
| Track Option & Depth | |
| - 2 Track Depth & Visible Height | 45/42mm & 74/46mm |
| - 3 Track Depth & Visible Height | 80/42mm & 109/46mm |
| - 4 Track Depth & Visible Height | 115/42mm & 143/42mm |
| - Single Track Addition Option | Available |
| Corner Joint | |
| - Track Joint | 45 Degree |
| - Non Slim All Sash Joint | 45 Degree |
| Glass Range | |
| - Single Glass Sash | 4mm to 6mm |
| - Double Glass Sash | 16mm to 18mm |
| Roller Weight Capacity (2 Pcs.) | |
| - Fix Single Roller | 45kg / Sash |
| - Fix Double Roller | 65kg / Sash |
| - Adjustable Double Roller | 160kg / Sash |
| Locking Type | Single & Multipoint |





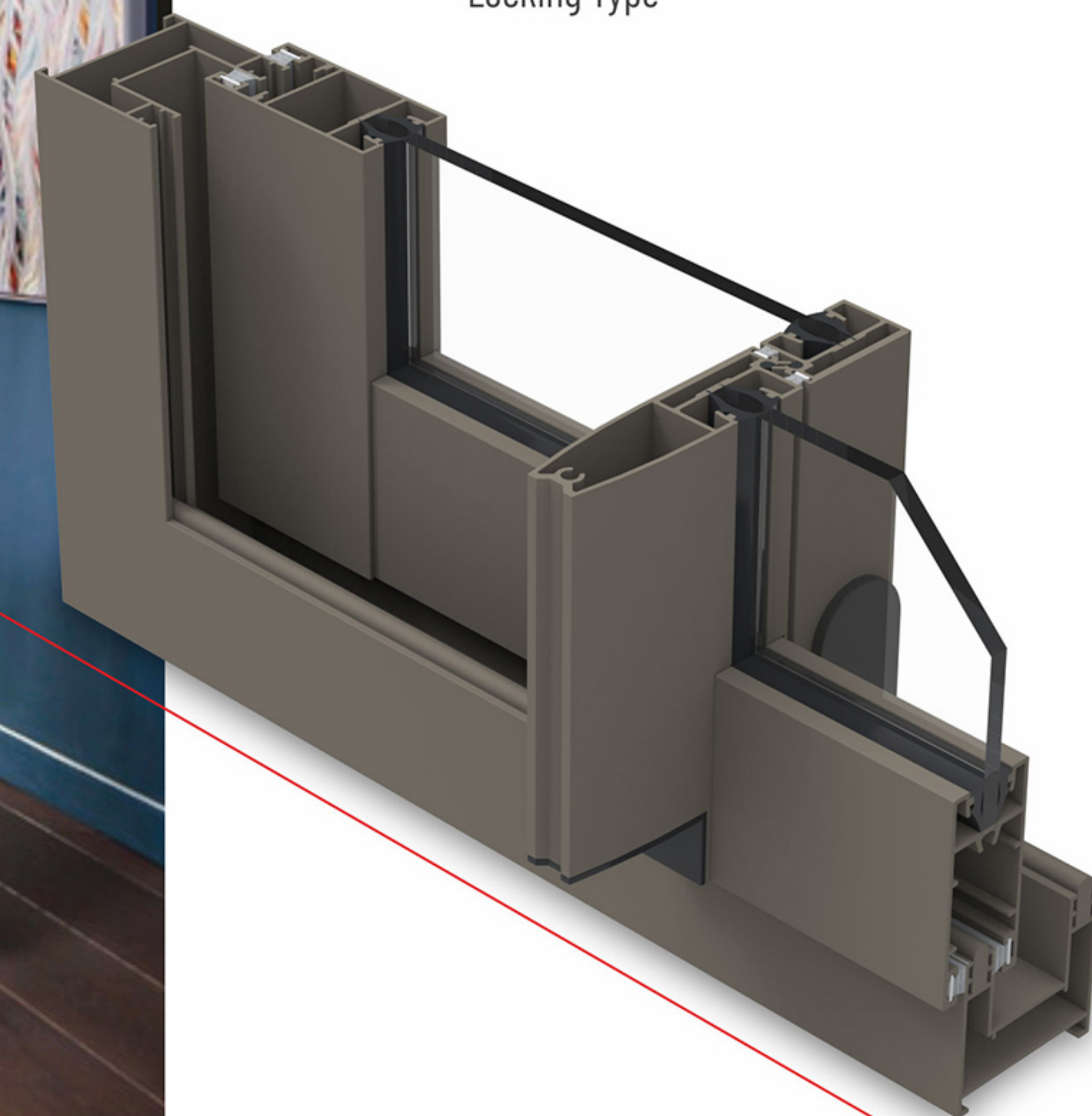
CS.27.ES

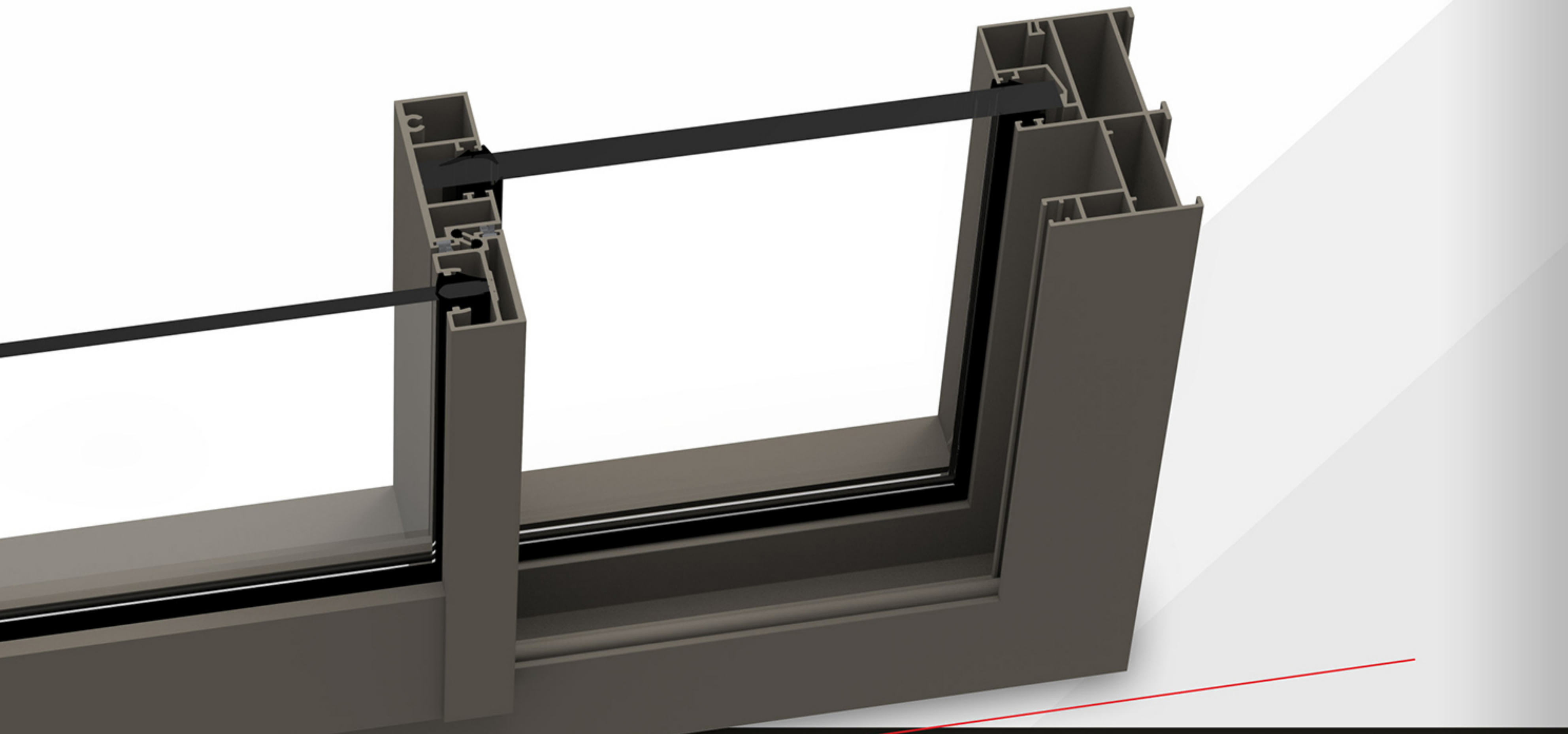
27mm Cardinal Sliding



TECHNICAL CHARACTERISTICS

| | |
|---------------------------------|--------------------------|
| Window Height (Max) | 2400mm |
| Sash Height & Width | 55mm / 27mm |
| Interlocking Visible Face Width | |
| - Slim Interlock | 20mm |
| Track Option & Depth | |
| - 2 Track Depth | 45/42mm & 74/46mm |
| - 3 Track Depth | 80/42mm & 109/46mm |
| - 4 Track Depth | 115/42mm & 143/42mm |
| - Single Track Addition Option | Available for Mono Track |
| Corner Joint | |
| - Track Joint | 45 Degree |
| - Sash Joint | 90 Degree |
| Glass Range | |
| - Single Glass Sash | 4mm to 6mm |
| - Double Glass Sash | 16mm to 18mm |
| Roller Weight Capacity (2 Pcs.) | |
| - Fix Single Roller | 45kg / Sash |
| - Fix Double Roller | 65kg / Sash |
| - Adjustable Double Roller | 160kg / Sash |
| Locking Type | Single & Multipoint |





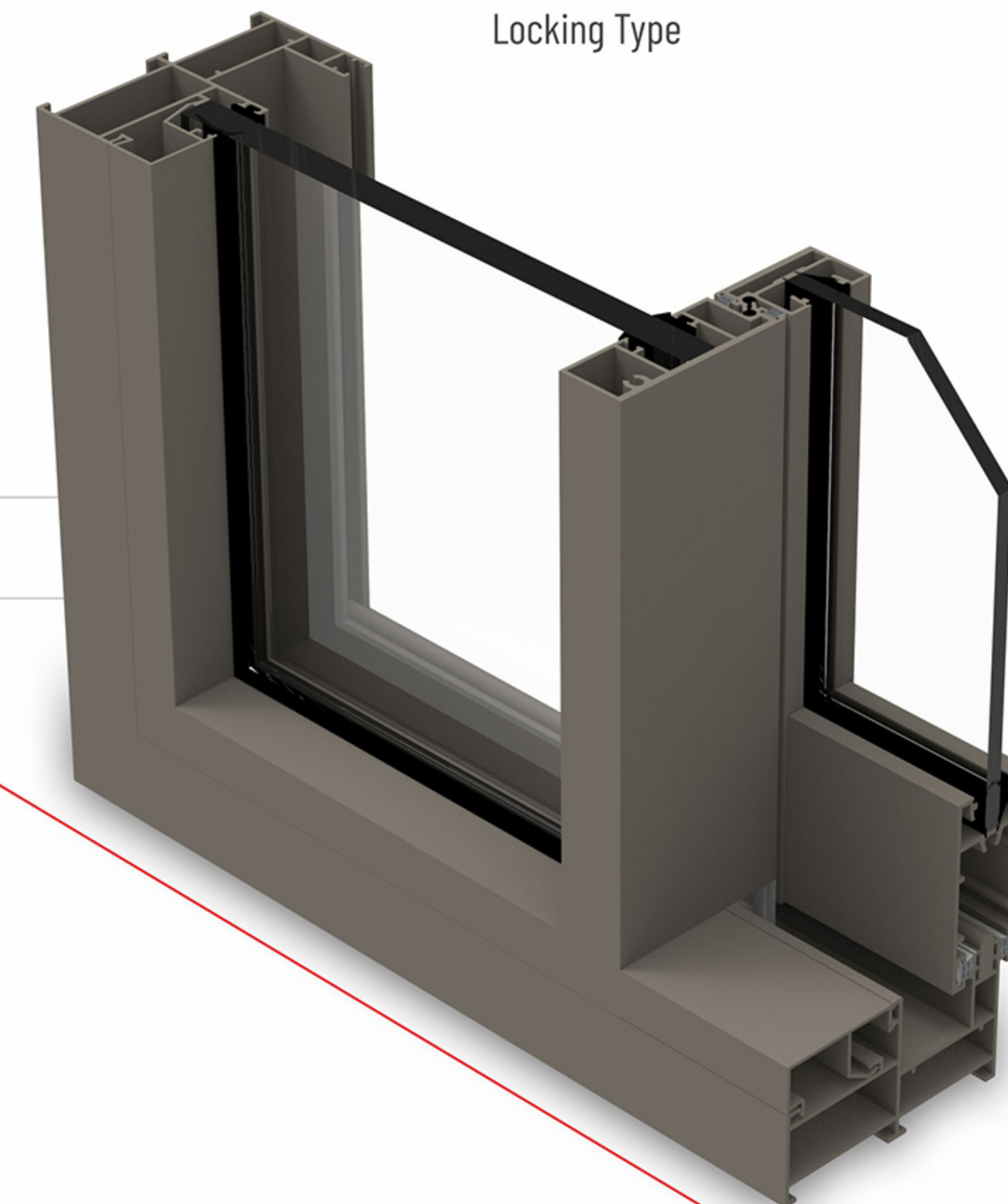
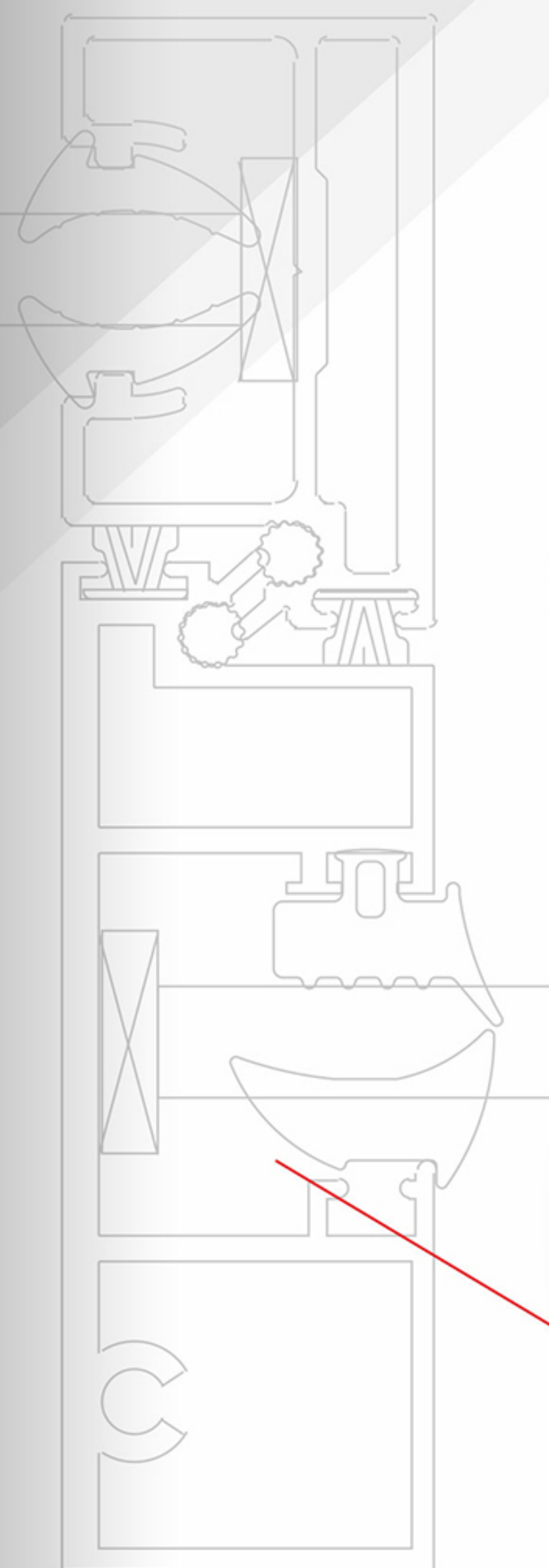
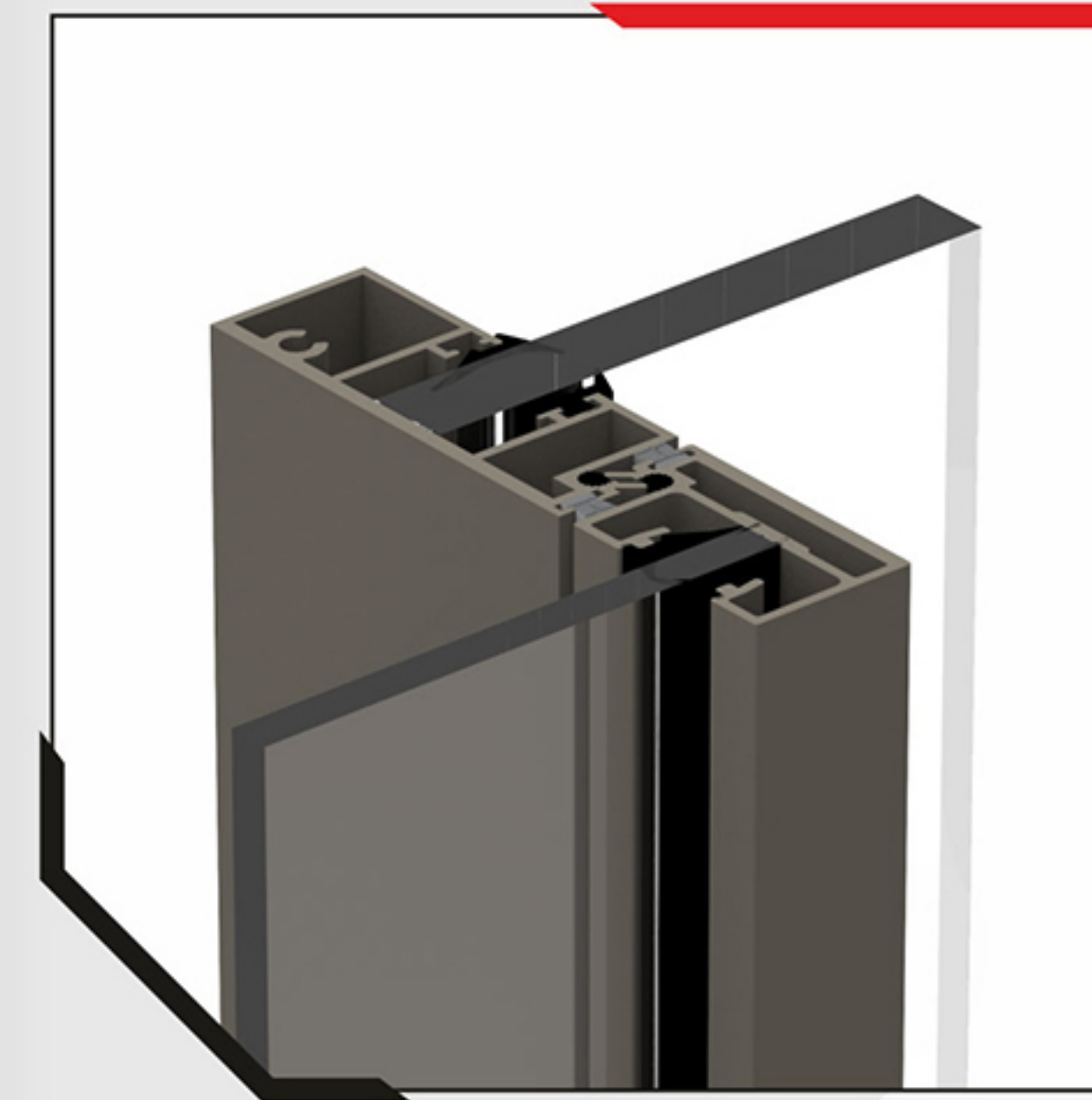
CS.27.MR

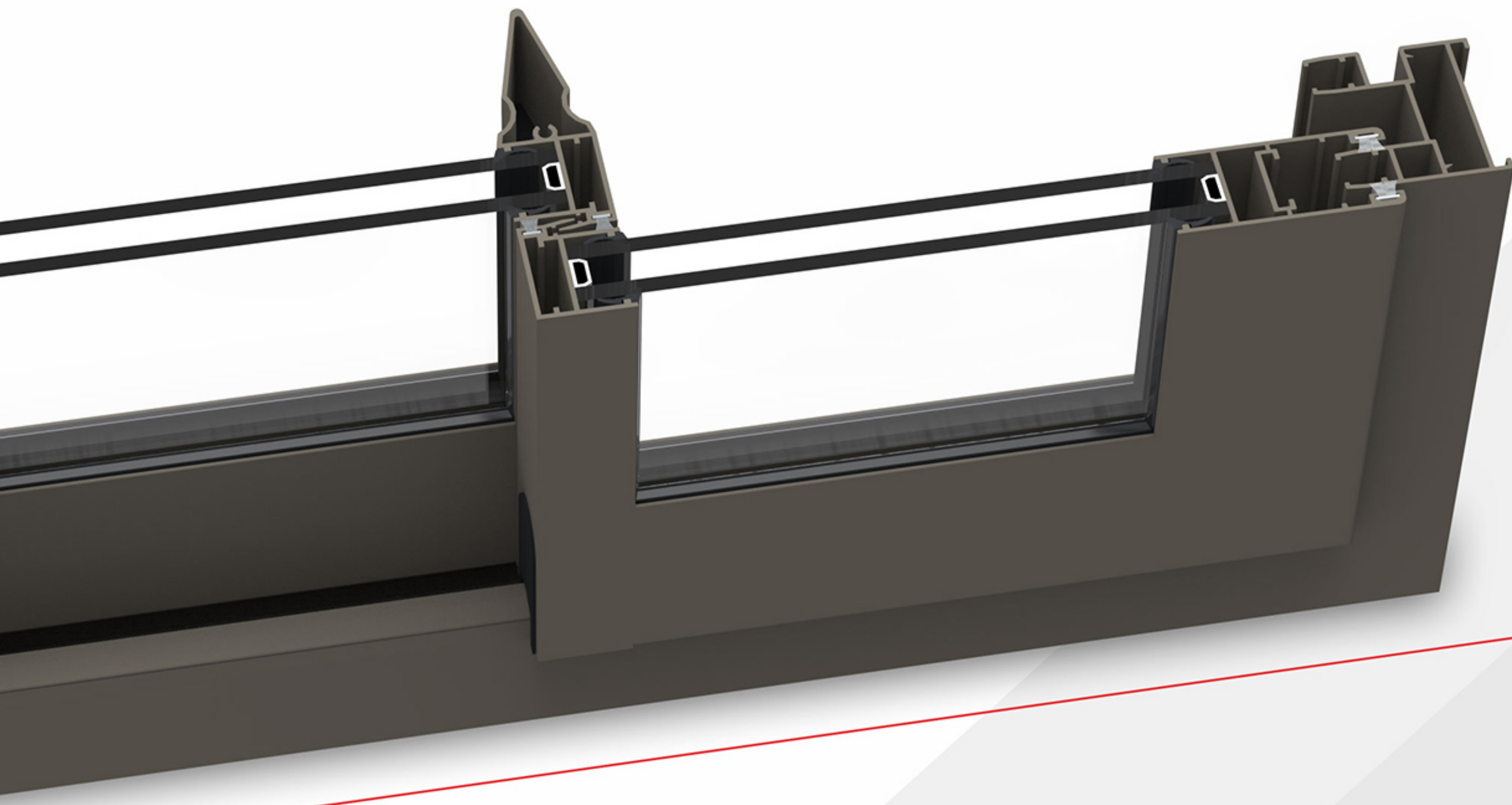
27mm Cardinal Sliding



TECHNICAL CHARACTERISTICS

| | |
|-------------------------------------|--------------------------|
| Window Height (Max) | 2400mm |
| Sash Height & Width | 65/27mm or 55mm / 27mm |
| Interlocking Visible Face Width | |
| - Non Slim Interlock | 65mm |
| - Slim Interlock | 20mm |
| Track Option & Depth | |
| - Mono Track Depth & Visible Height | 75/42mm |
| - Single Track Addition Option | Available for Mono Track |
| Corner Joint | |
| - Track Joint | 45 Degree |
| - Non Slim All Sash Joint | 45 Degree |
| - Slim Sash Joint | 90 Degree |
| Glass Range | |
| - Single Glass Sash | 4mm to 6mm |
| Roller Weight Capacity (2 Pcs.) | |
| - Fix Single Roller | 45kg / Sash |
| - Fix Double Roller | 65kg / Sash |
| - Adjustable Double Roller | 160kg / Sash |
| Locking Type | Single & Multipoint |





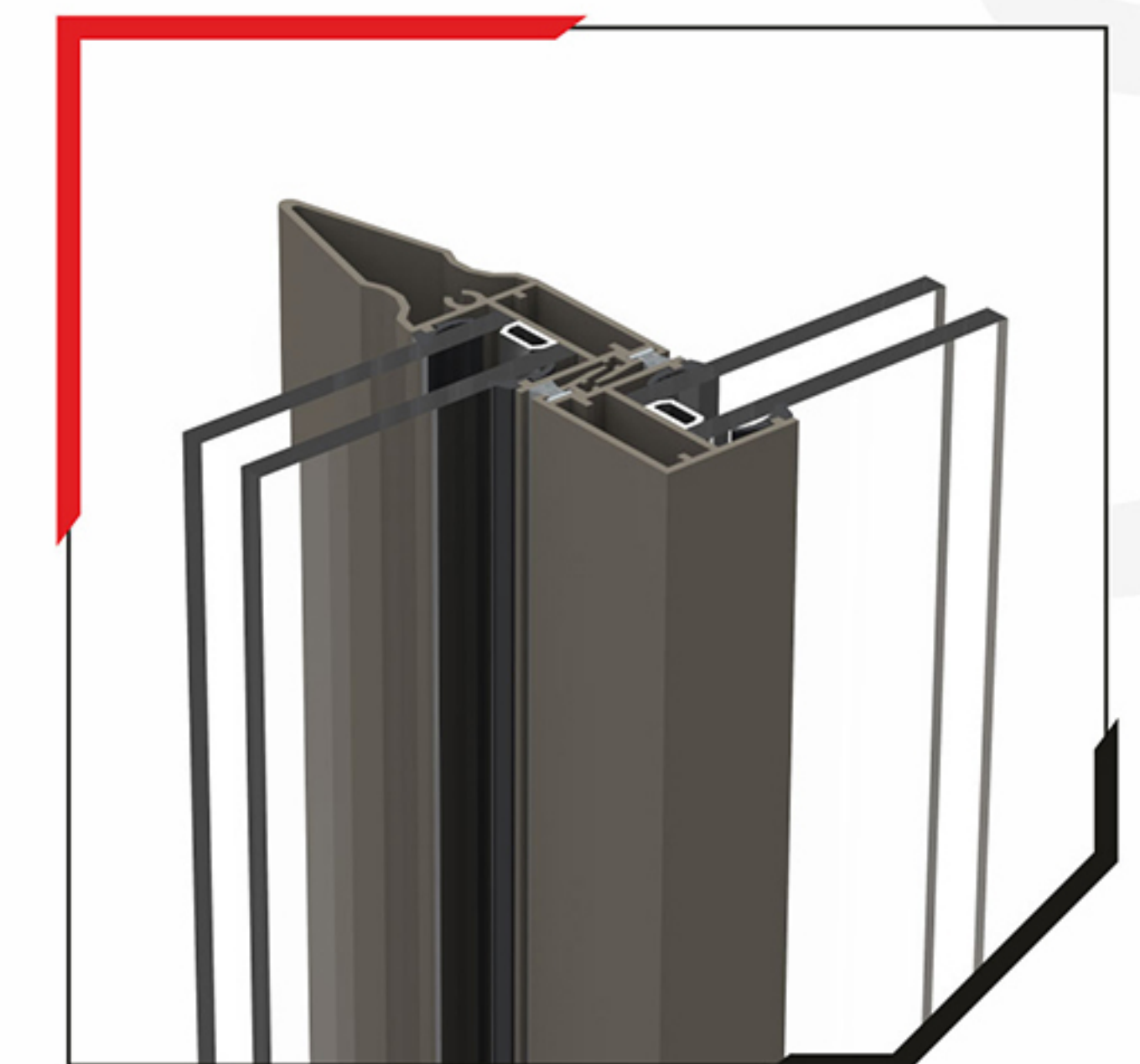
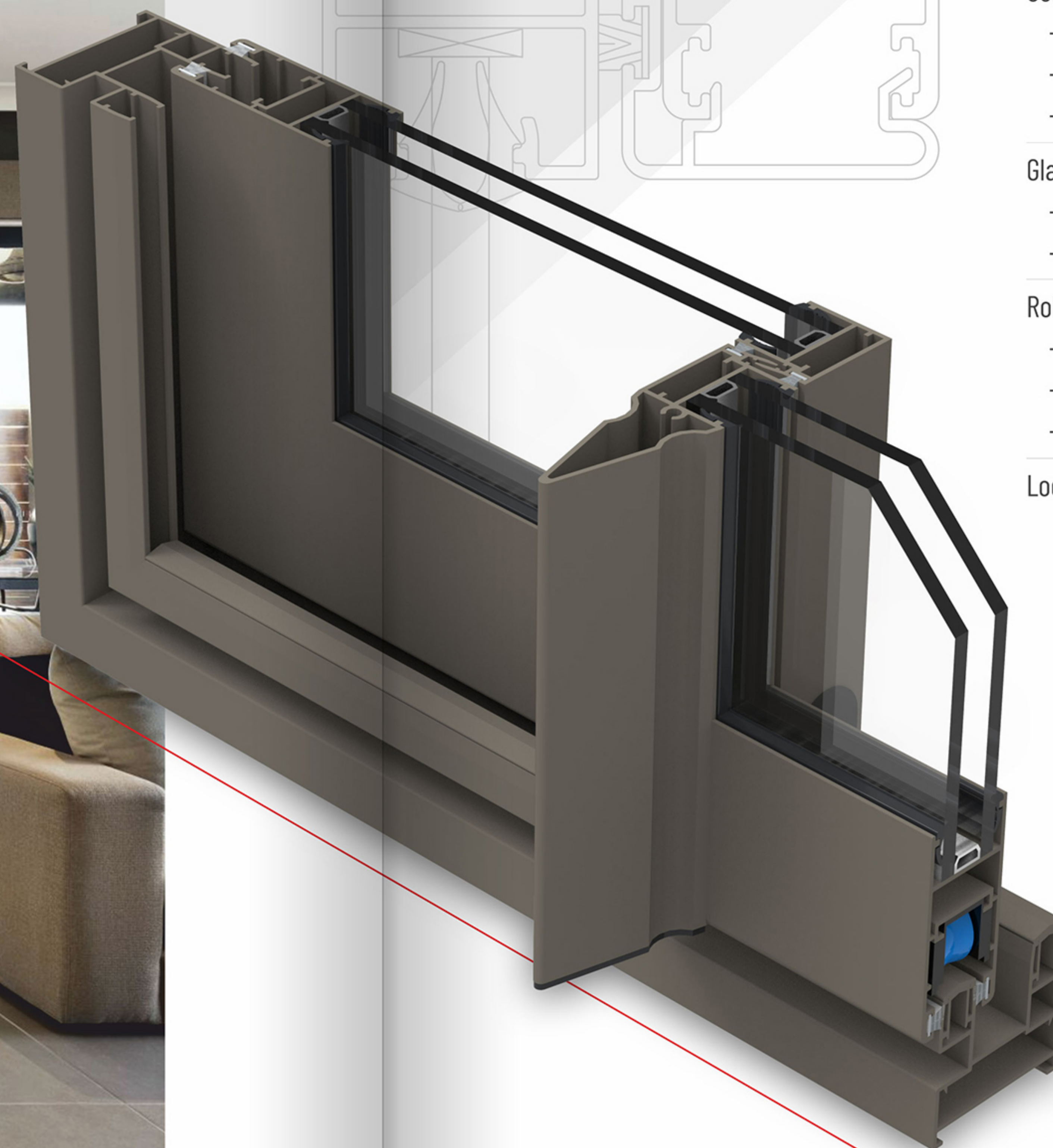
CS.29

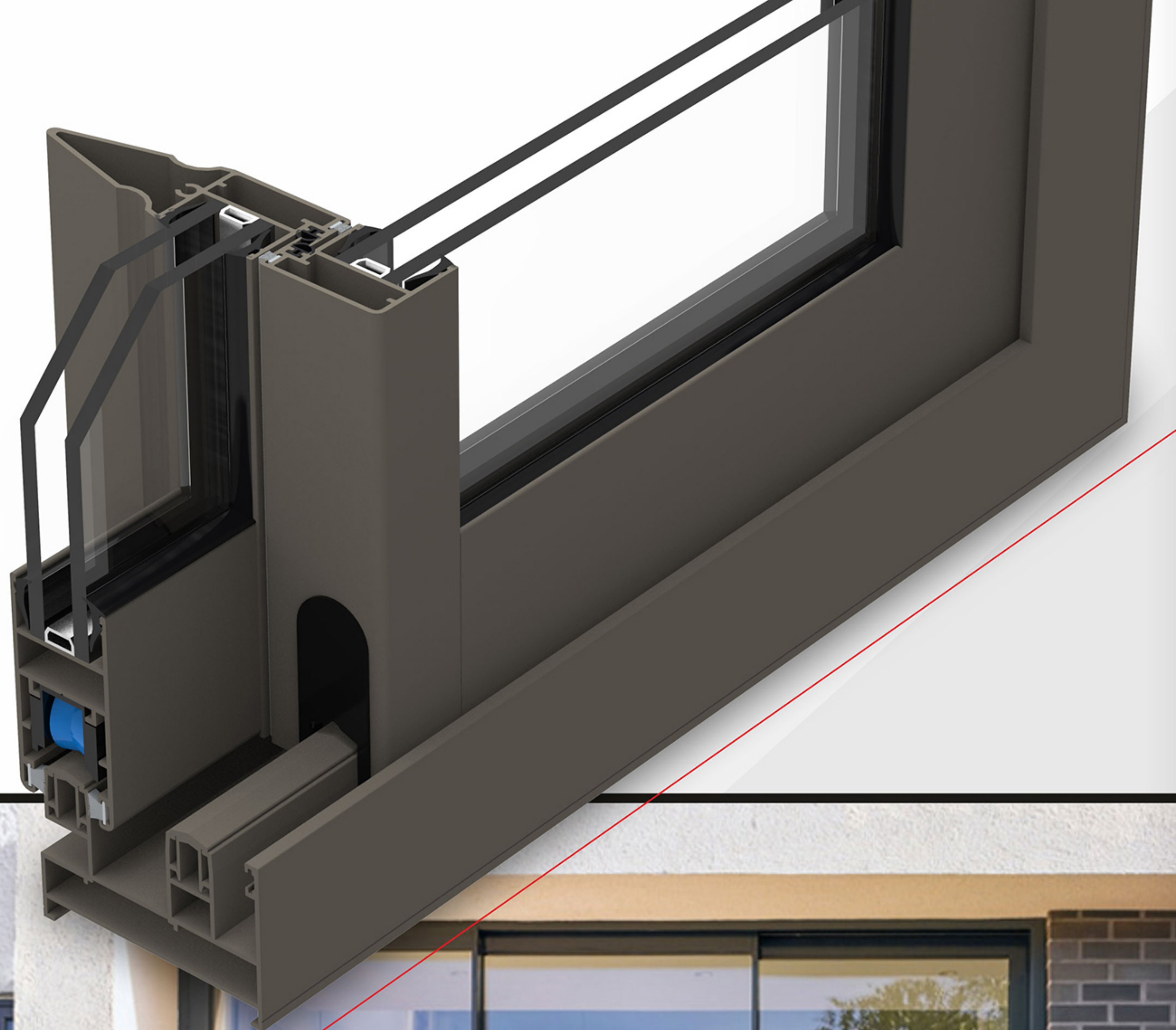
29mm Cardinal Sliding



TECHNICAL CHARACTERISTICS

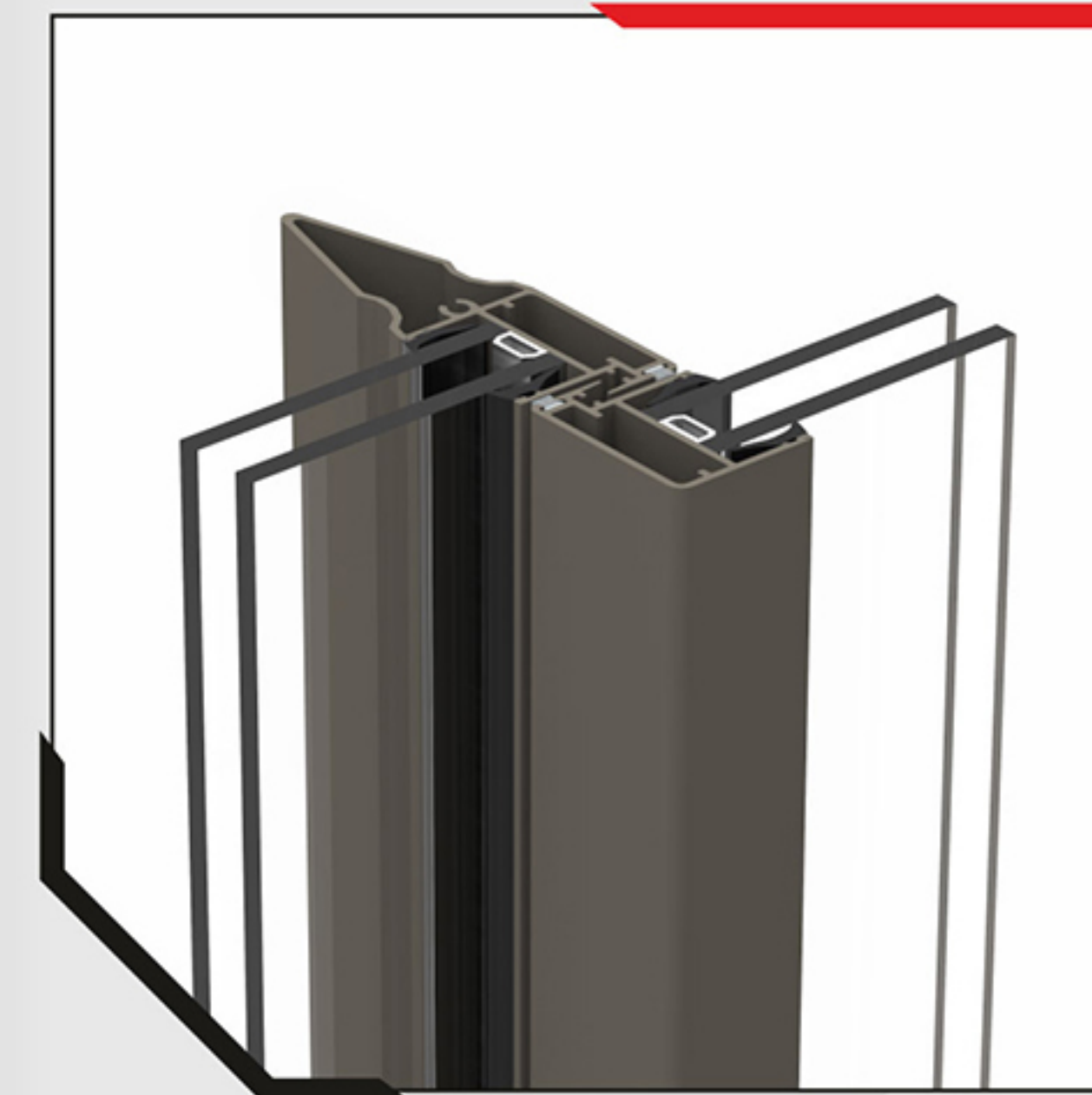
| | |
|---|-------------------------------------|
| Window Height (Max) | 2400mm |
| Sash Height & Width | 65mm / 29mm |
| Interlocking Visible Face Width | |
| - Slim Interlock | 28mm |
| - Non Slim Interlock | 65mm |
| Track Option & Depth | |
| - 2 Track Depth & Visible Height | 50/48mm & 65/50mm & 50/40mm |
| - 3 Track Depth & Visible Height | 85/48mm & 100/50mm & 85/40mm |
| - 3 Track with Grill Depth & Visible Height | 150/43mm |
| - 4 Track Depth & Visible Height | 122/48mm & 150/43mm |
| - Single Track Addition Option | Available for Outside |
| Corner Joint | |
| - Track Joint | 45 Degree |
| - Non Slim All Sash Joint | 45 Degree |
| - Slim Interlock Joint | 90 Degree |
| Glass Range | |
| - Single Glass Sash | 4mm to 6mm |
| - Double Glass Sash | 12-20mm / 4mm to 6mm (with reducer) |
| Roller Weight Capacity (2 Pcs.) | |
| - Fix Single Roller | 45kg / Sash |
| - Fix Double Roller | 65kg / Sash |
| - Adjustable Double Roller | 160kg / Sash |
| Locking Type | Single & Multipoint |





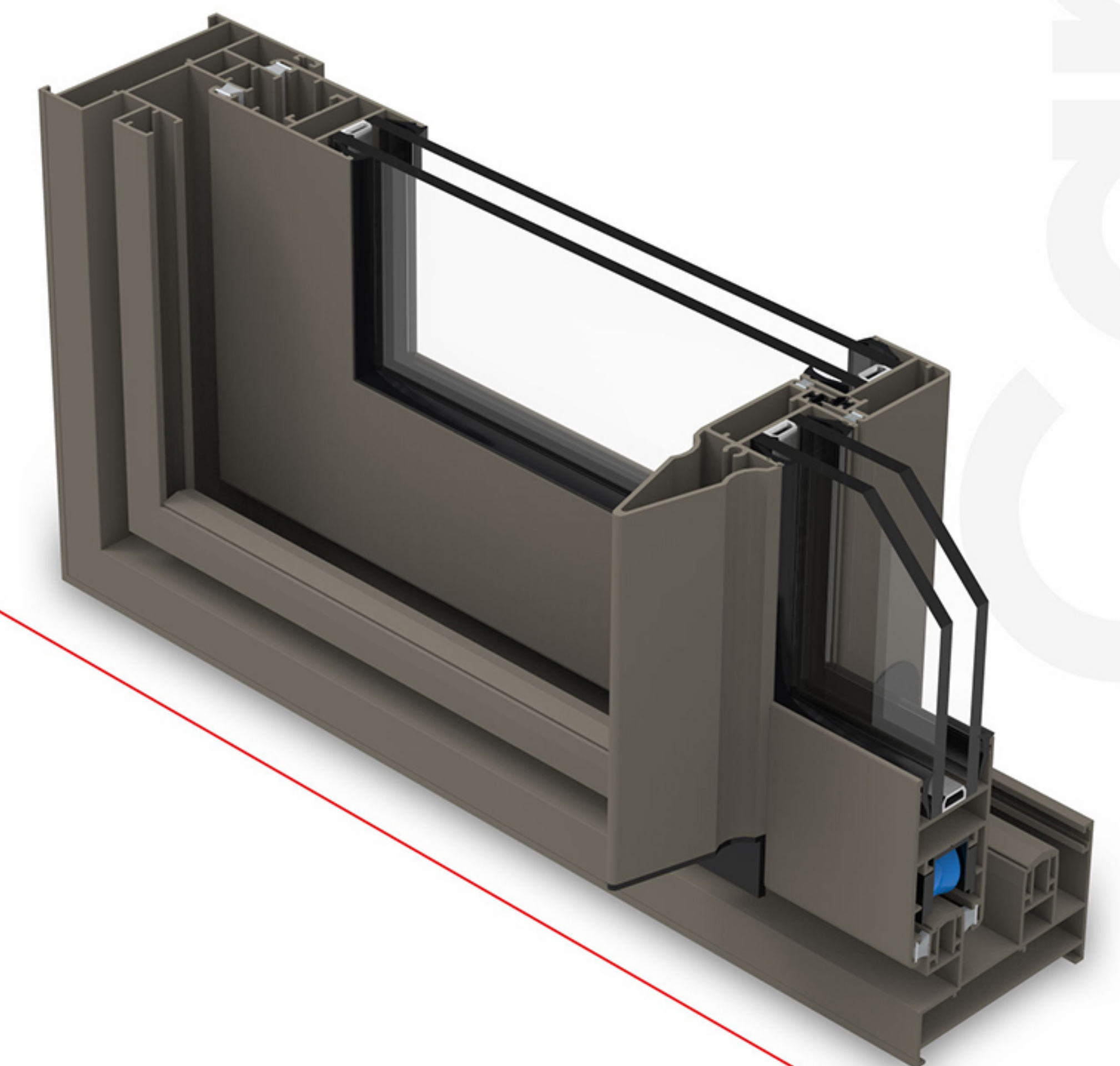
CS.32

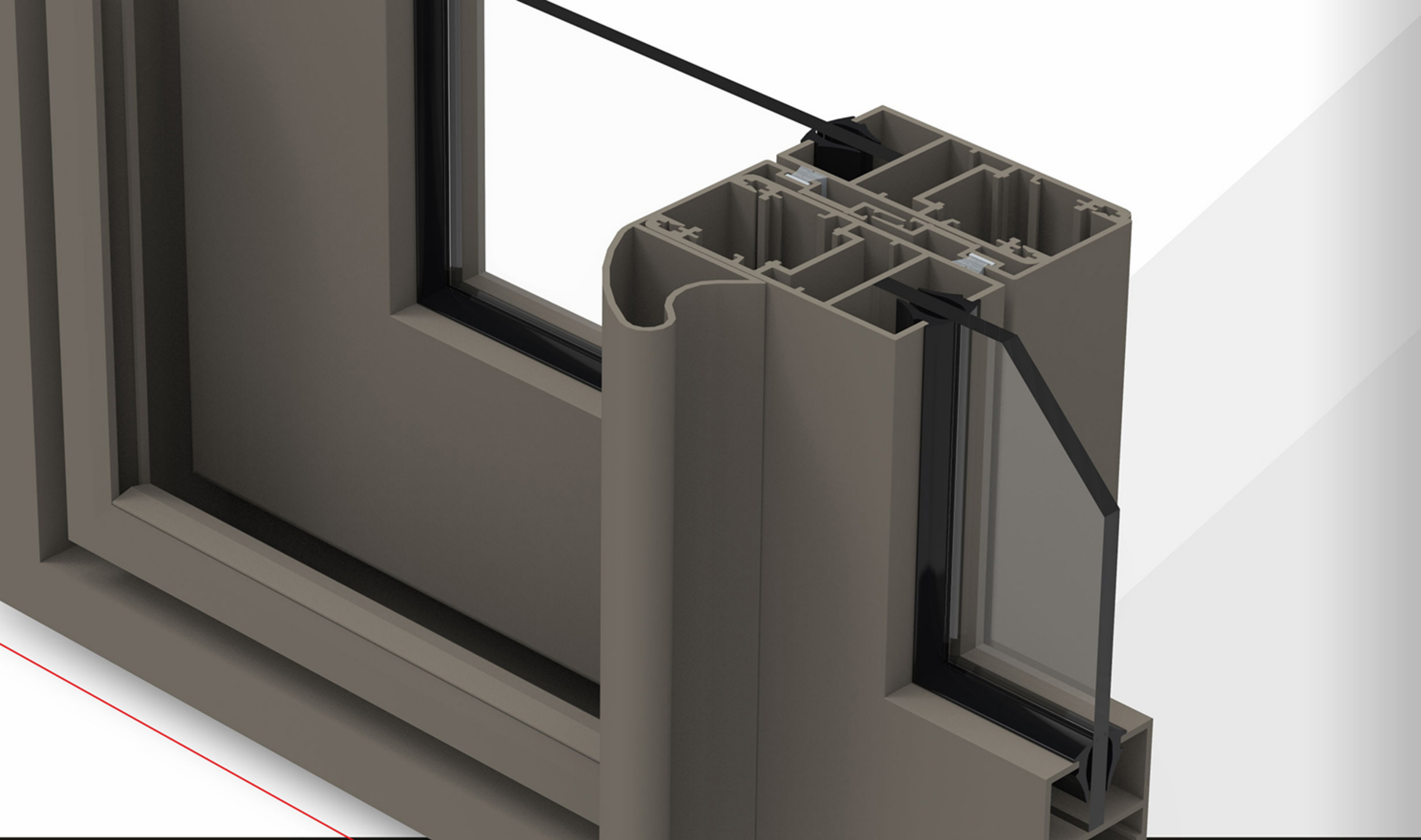
32mm Cardinal Sliding



TECHNICAL CHARACTERISTICS

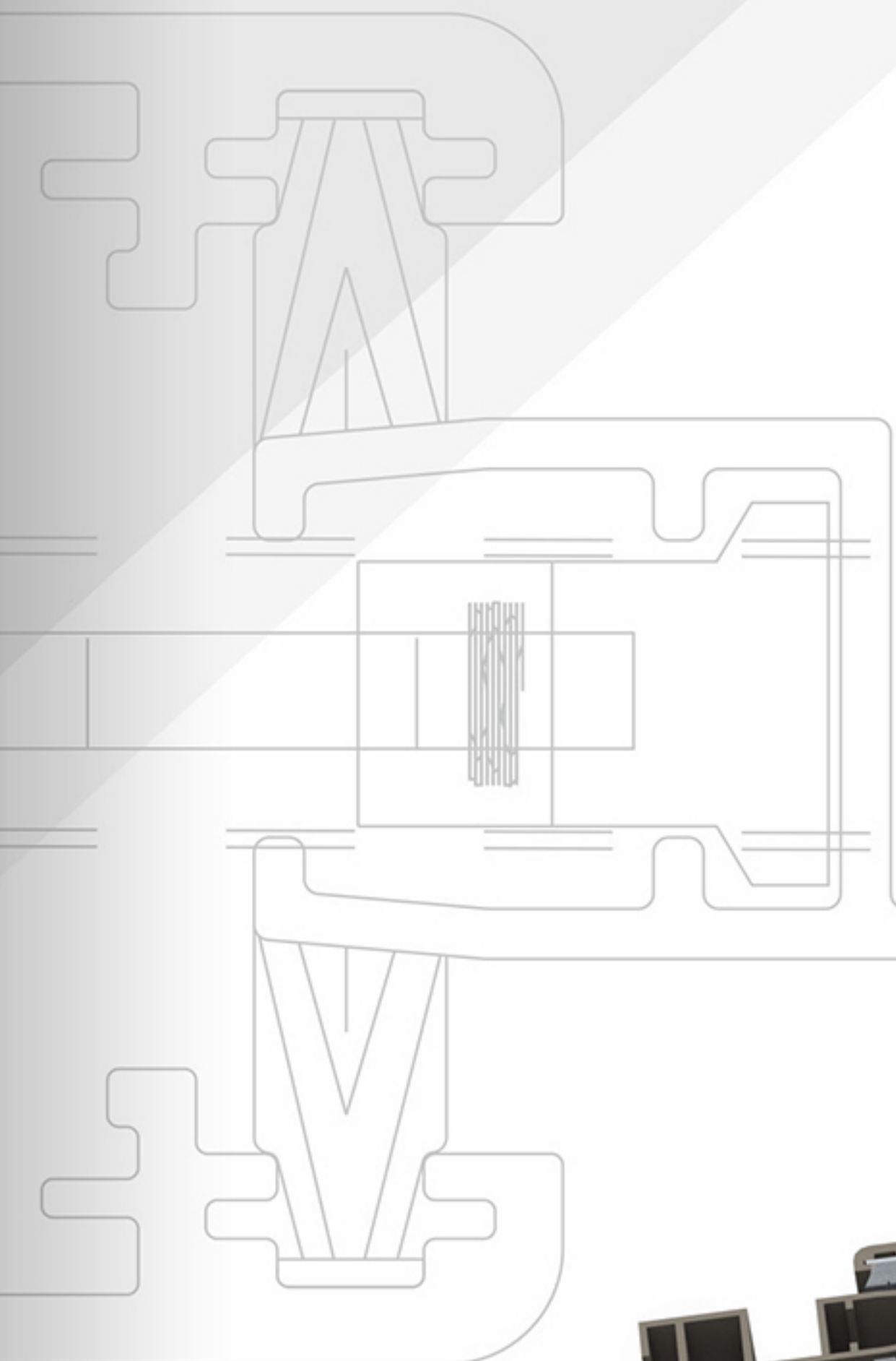
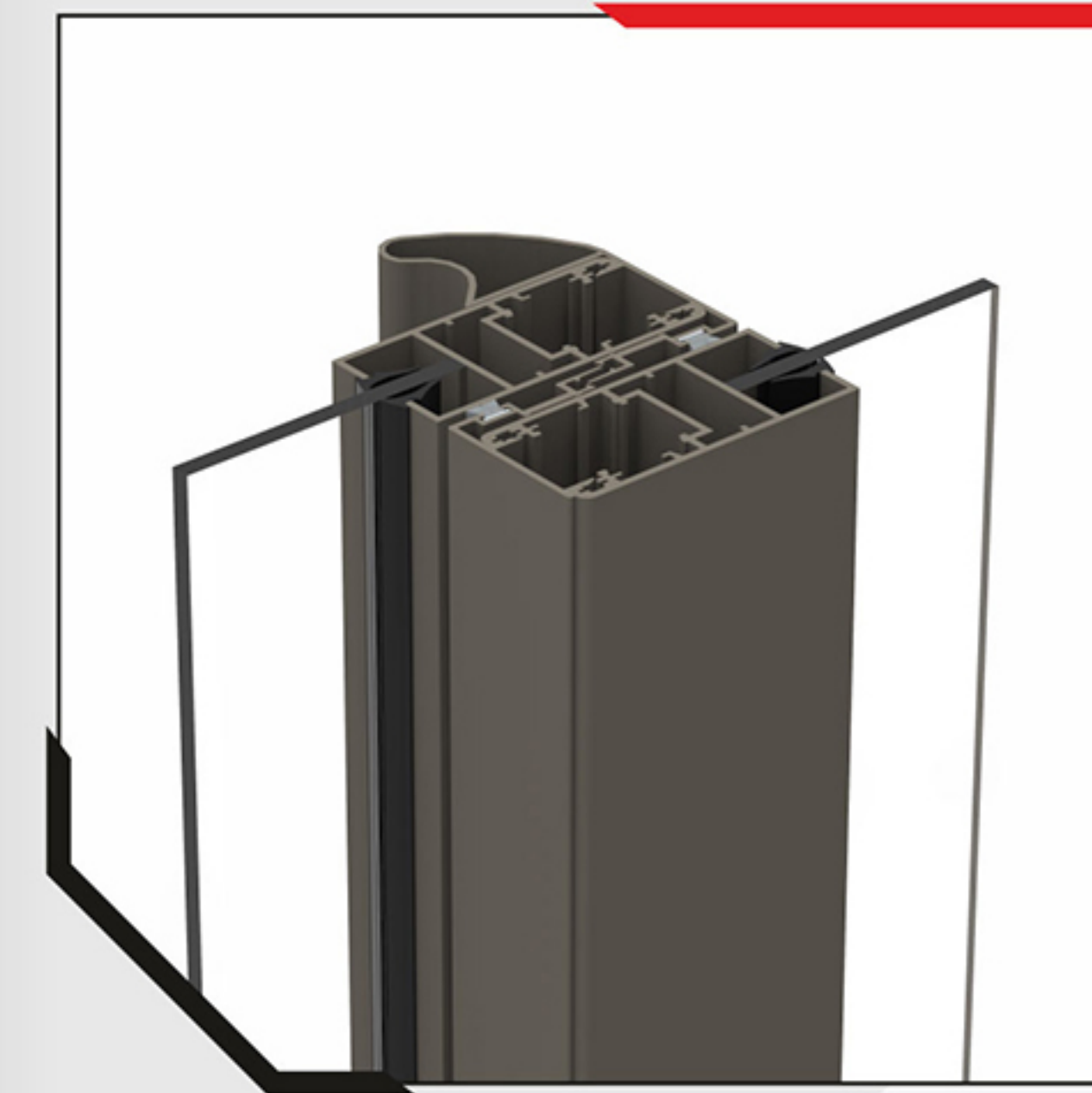
| | |
|----------------------------------|-------------------------------------|
| Window Height (Max) | 2700mm |
| Sash Height & Width | 65mm / 32mm |
| Interlocking Visible Face Width | |
| - Slim Interlock | 30mm |
| - Non Slim Interlock | 65mm |
| Track Option & Depth | |
| - 2 Track Depth & Visible Height | 74/48mm & 75/50mm |
| - 3 Track Depth & Visible Height | 116/48mm & 115/50mm |
| - 4 Track Depth & Visible Height | 156/50mm |
| Corner Joint | |
| - Track Joint | 45 Degree |
| - Non Slim All Sash Joint | 45 Degree |
| - Slim Interlock Joint | 90 Degree |
| Glass Range | |
| - Single Glass Sash | 4mm to 6mm |
| - Double Glass Sash | 18-24mm / 4mm to 6mm (with reducer) |
| Roller Weight Capacity (2 Pcs.) | |
| - Adjustable Double Roller | 160kg / Sash |
| Locking Type | Single & Multipoint |





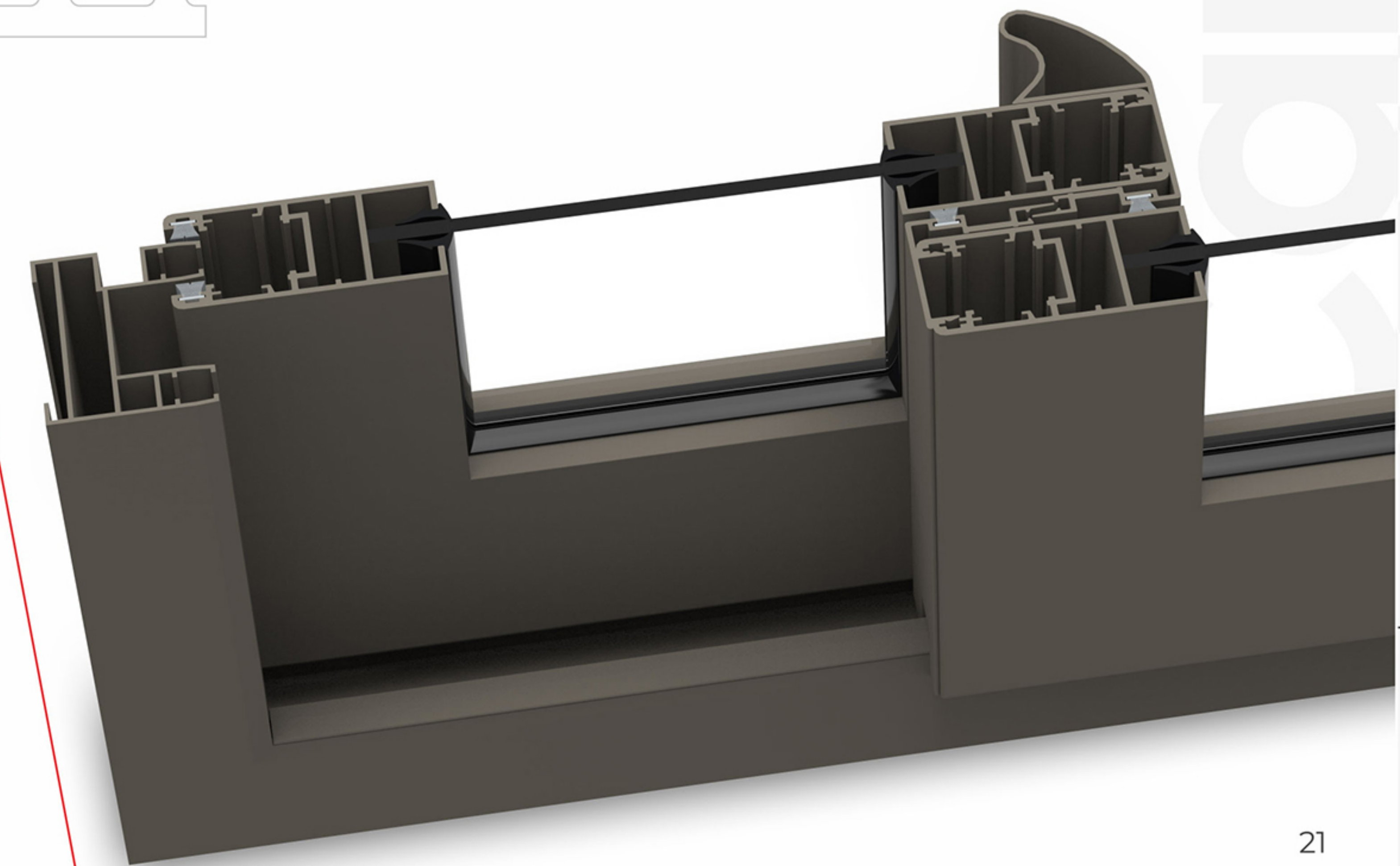
CS.35

35mm Cardinal Sliding



TECHNICAL CHARACTERISTICS

| | |
|----------------------------------|---------------------|
| Window Height (Max) | 3000mm |
| Sash Height & Width | 75mm / 35mm |
| Interlocking Visible Face Width | |
| - Non Slim Interlock | 75mm |
| Track Option & Depth | |
| - 2 Track Depth & Visible Height | 59/46mm & 85/50mm |
| - 3 Track Depth & Visible Height | 104/46mm & 130/50mm |
| - 4 Track Depth & Visible Height | 150/50mm |
| Corner Joint | |
| - Track Joint | 45 Degree |
| - Sash Joint | 45 Degree |
| Glass Range | |
| - Single Glass Sash | 4mm to 8mm |
| - Double Glass Sash | 18-24mm |
| Roller Weight Capacity (2 Pcs.) | |
| - Adjustable Double Roller | 160kg / Sash |
| - Adjustable Double Roller | 200kg / Sash |
| Locking Type | Single & Multipoint |



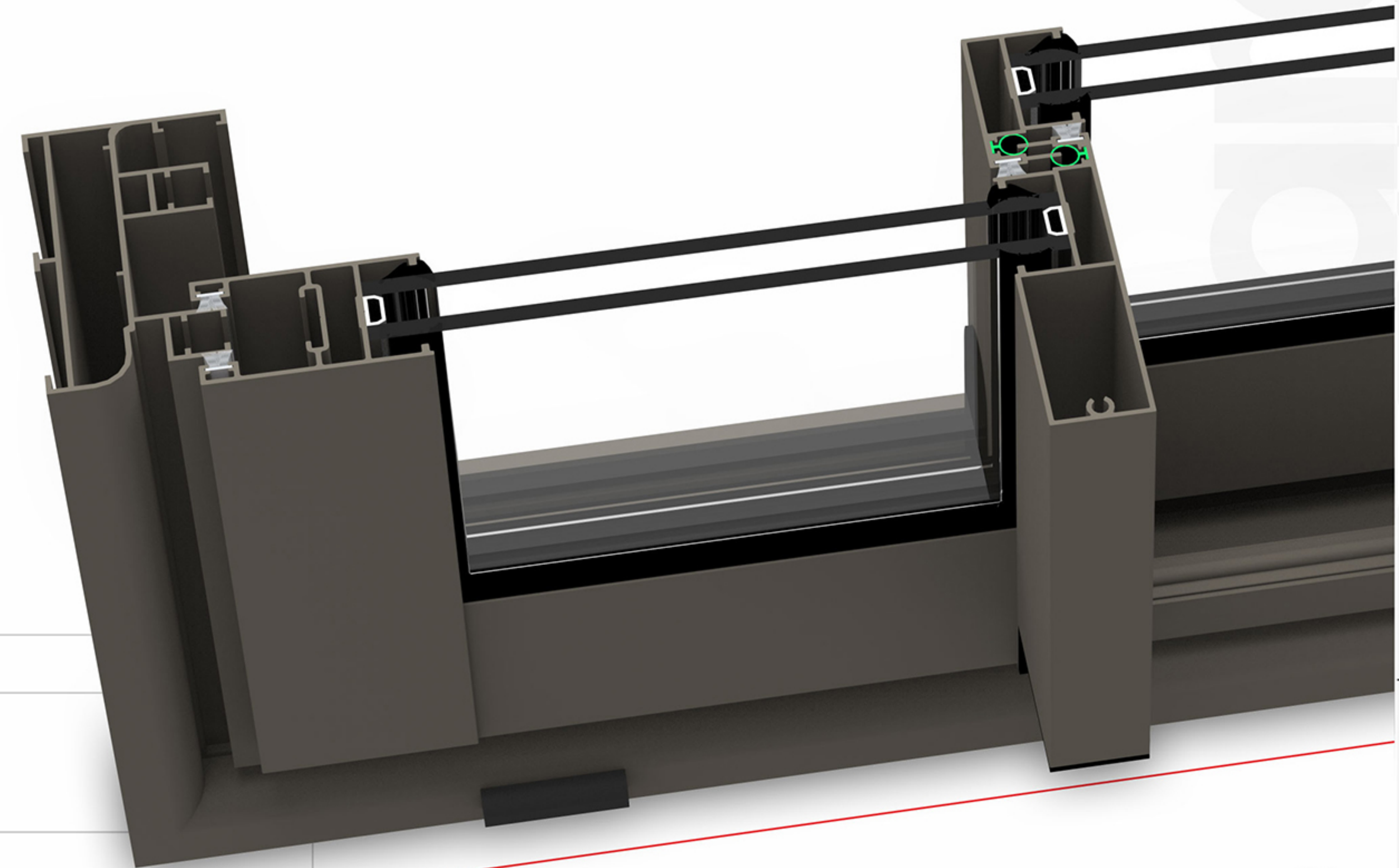
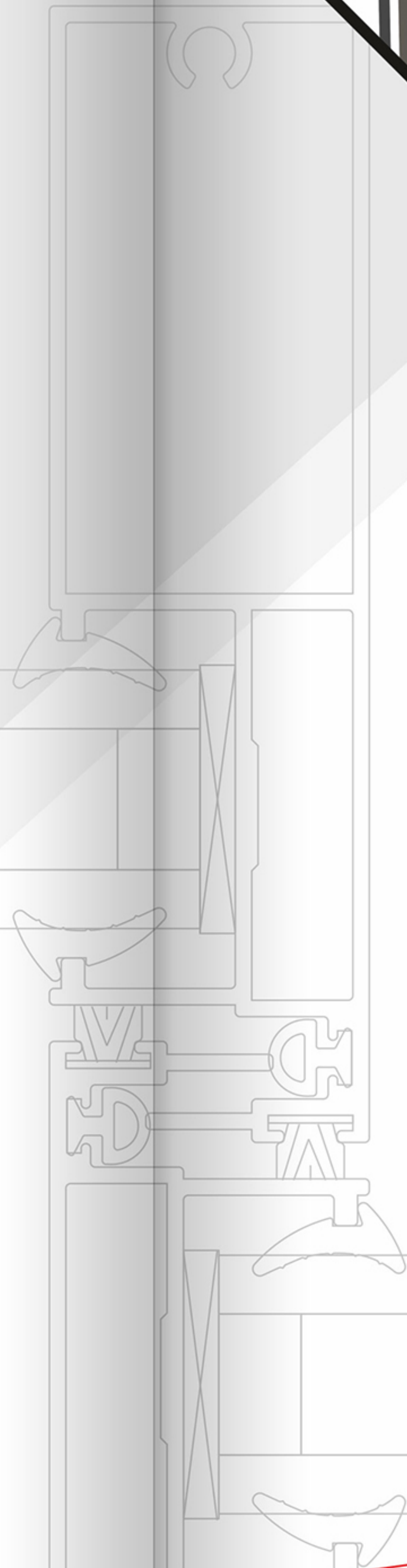
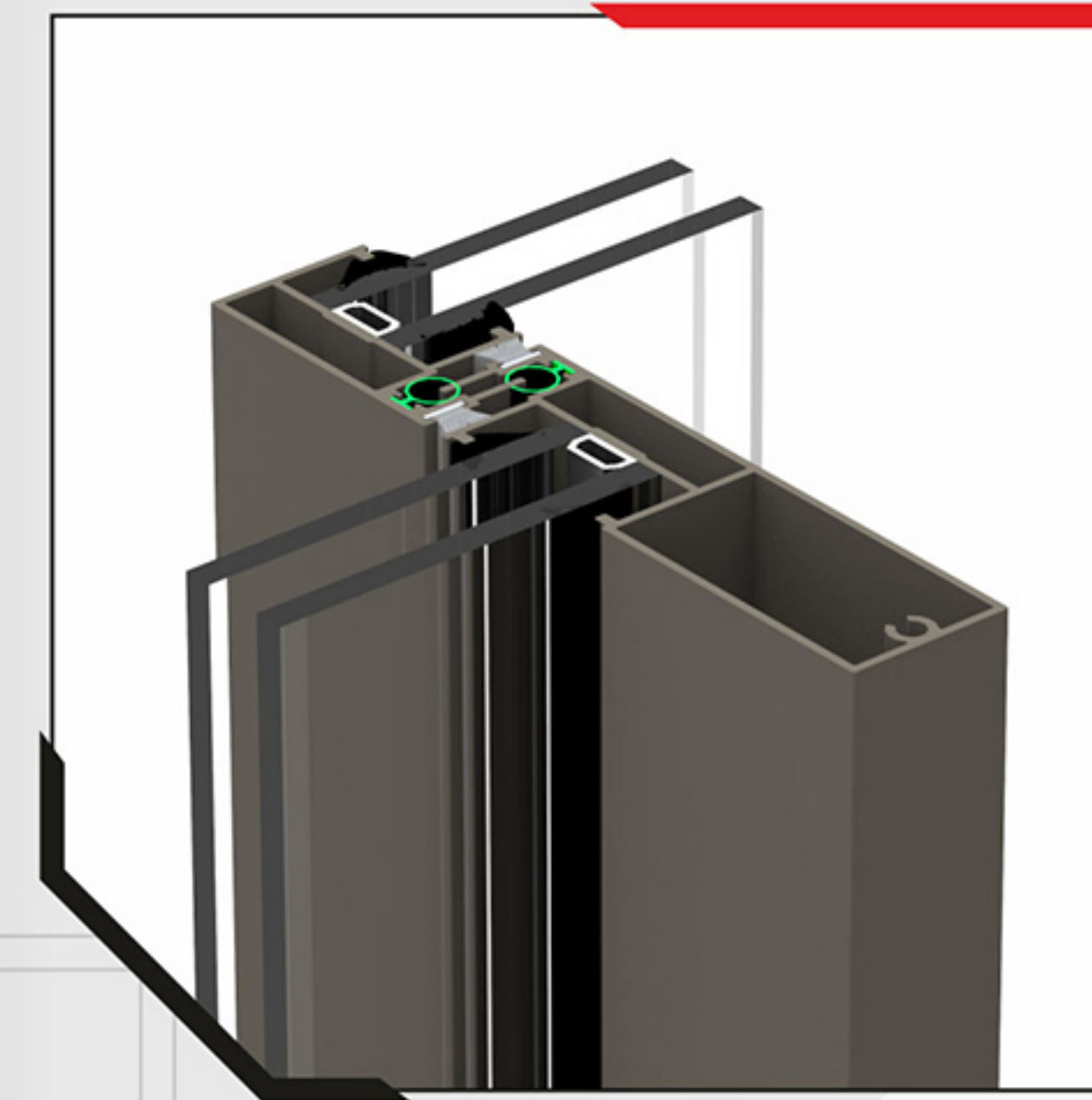
CS.35.ES

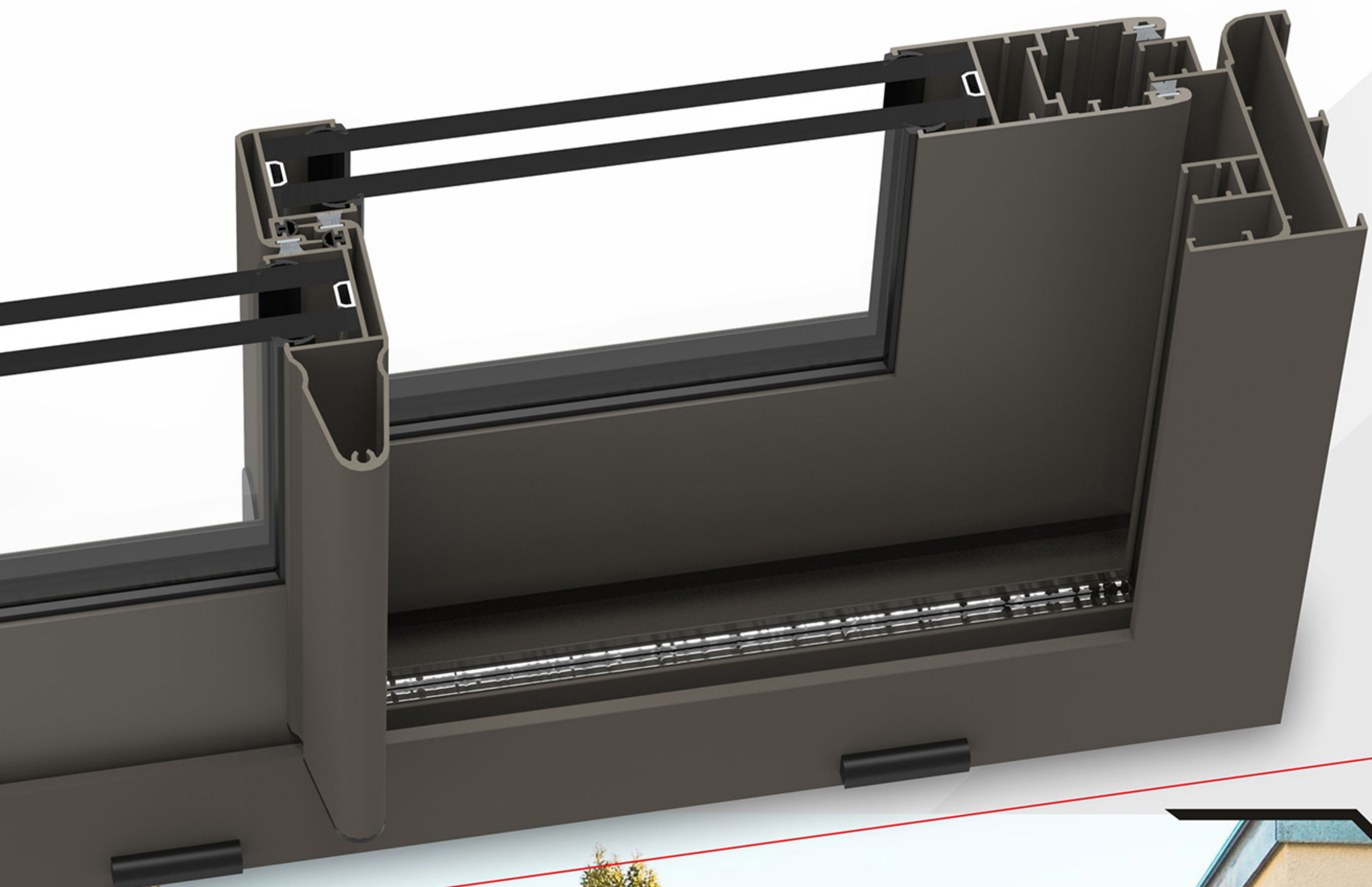
35mm Cardinal Sliding



TECHNICAL CHARACTERISTICS

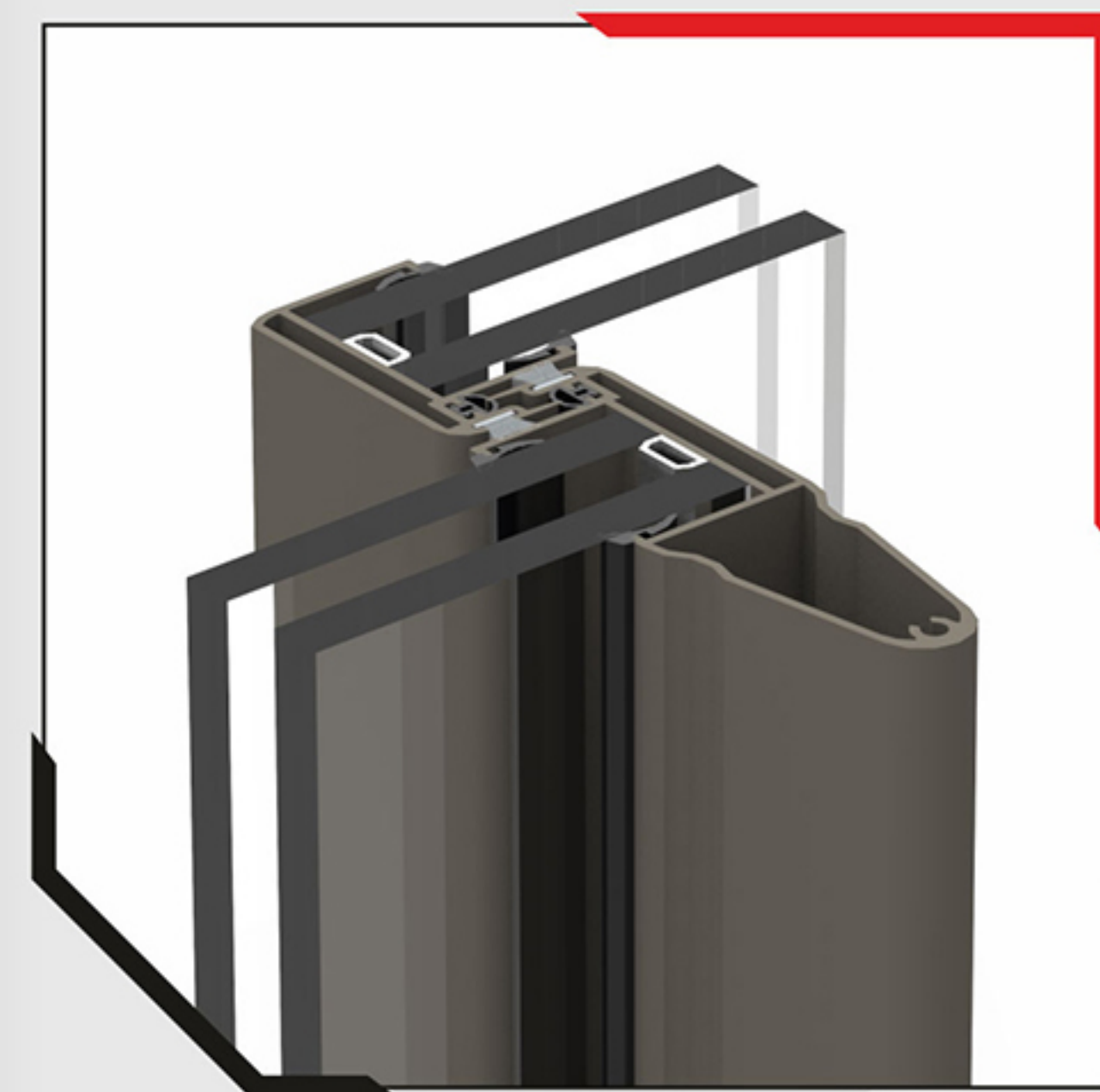
| | |
|---------------------------------|---------------------|
| Window Height (Max) | 3100mm |
| Sash Height & Width | 59mm / 35mm |
| Interlocking Visible Face Width | |
| - Slim Interlock | 27mm |
| Track Option & Depth | |
| - 2 Track Depth | 90/53mm |
| - 3 Track Depth | 140/53mm |
| Corner Joint | |
| - Track Joint | 45 Degree |
| - Sash Joint | 90 Degree |
| Glass Range | |
| - Single Glass Sash | 6mm to 13.5mm |
| - Double Glass Sash | 18mm to 24mm |
| Roller Weight Capacity (2 Pcs.) | |
| - Adjustable Double Roller | 160kg / Sash |
| - Adjustable Double Roller | 200kg / Sash |
| Locking Type | Single & Multipoint |





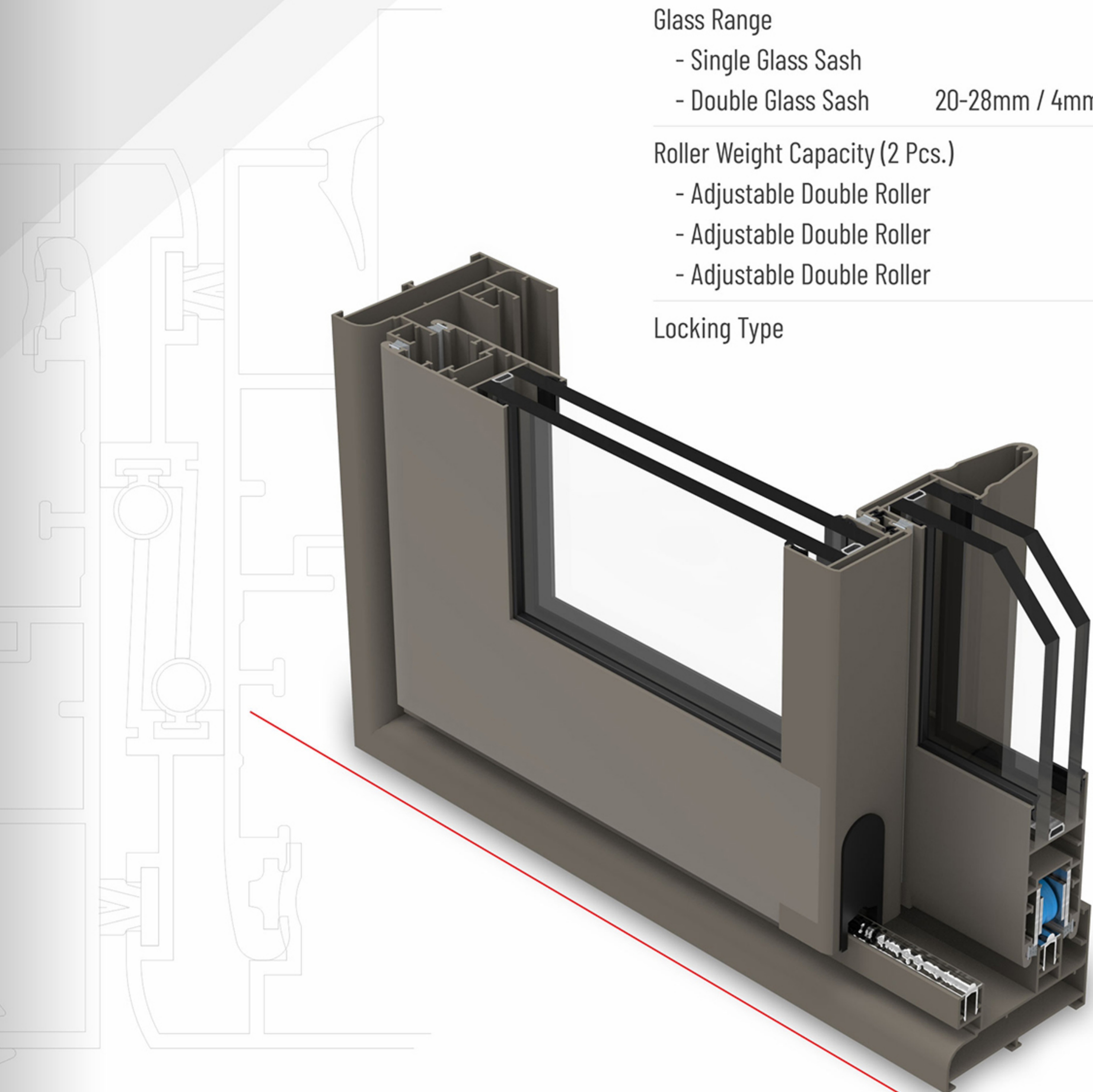
CS.37

37mm Cardinal Sliding



TECHNICAL CHARACTERISTICS

| | |
|----------------------------------|-------------------------------------|
| Window Height (Max) | 3100mm |
| Sash Height & Width | 83mm / 37mm |
| Interlocking Visible Face Width | |
| - Slim Interlock | 30mm |
| - Non Slim Interlock | 83 & 67mm |
| Track Option & Depth | |
| - 2 Track Depth & Visible Height | 90/53mm |
| - 3 Track Depth & Visible Height | 140/53mm |
| Corner Joint | |
| - Track Joint | 45 Degree |
| - Non Slim All Sash Joint | 45 Degree |
| - Slim Interlock Joint | 90 Degree |
| Glass Range | |
| - Single Glass Sash | 6mm to 12mm |
| - Double Glass Sash | 20-28mm / 4mm to 6mm (with reducer) |
| Roller Weight Capacity (2 Pcs.) | |
| - Adjustable Double Roller | 160kg / Sash |
| - Adjustable Double Roller | 200kg / Sash |
| - Adjustable Double Roller | 300kg / Sash |
| Locking Type | Single & Multipoint |



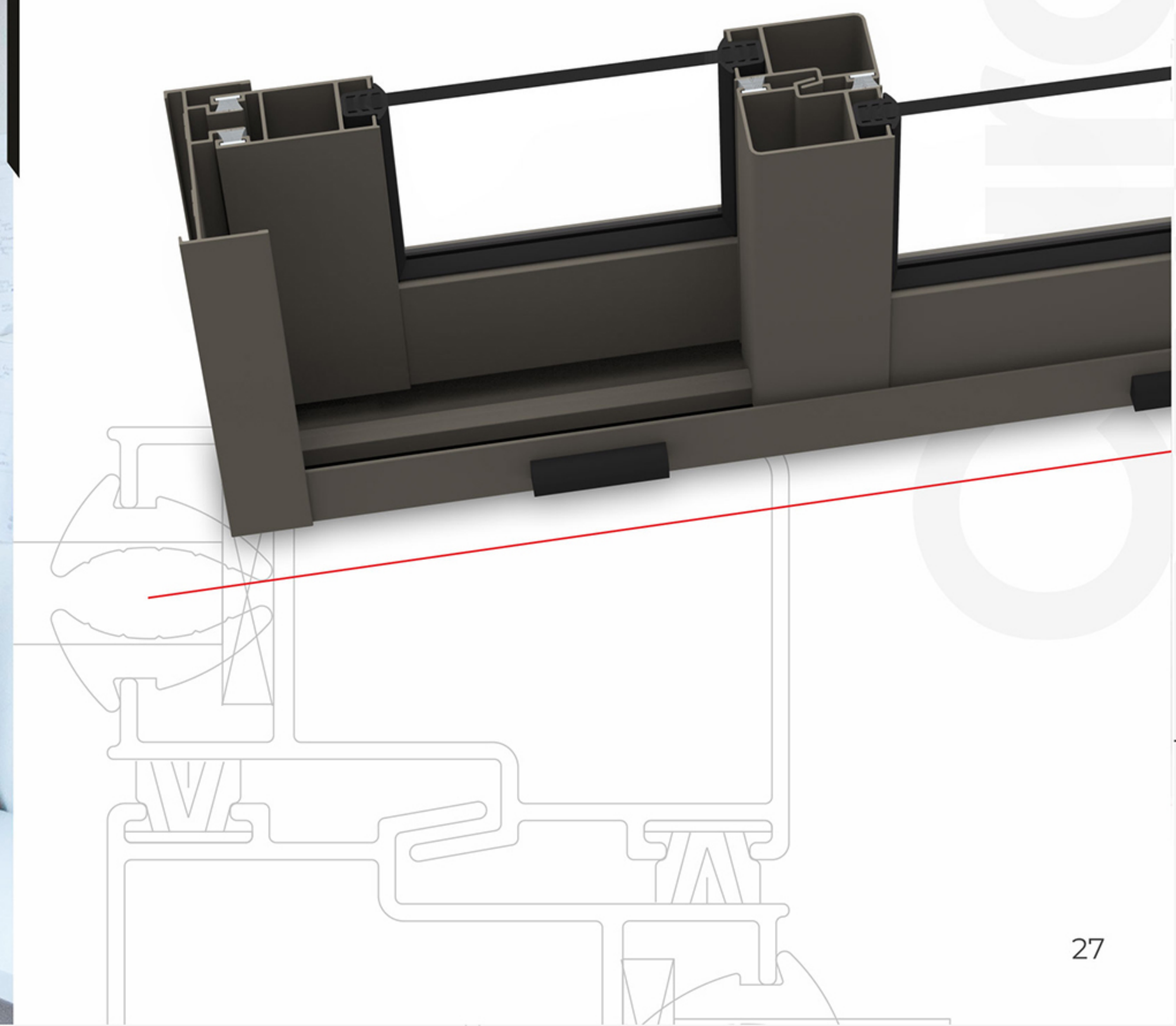
COS.20

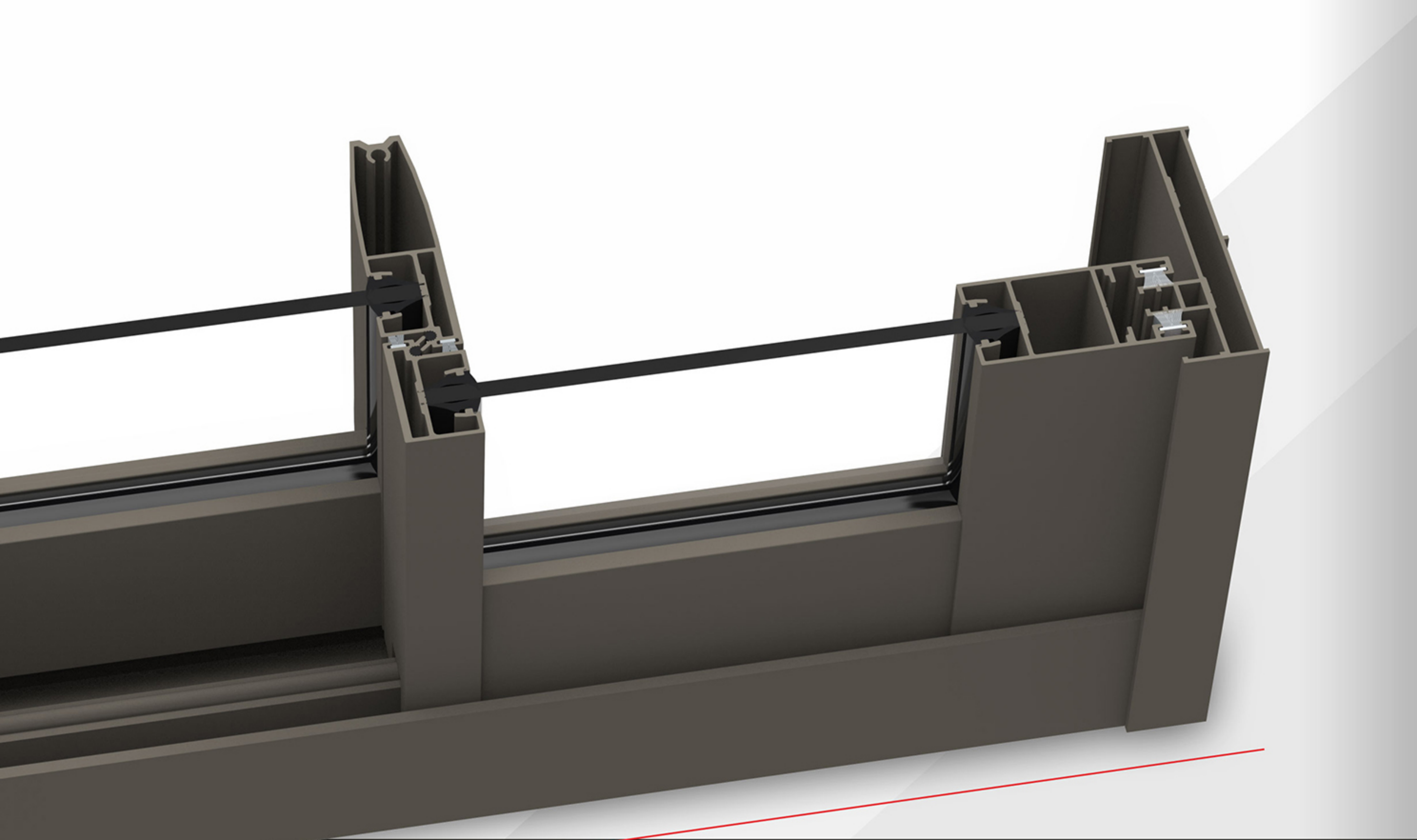
20mm Opulence Sliding



TECHNICAL CHARACTERISTICS

| | |
|---------------------------------|-------------------|
| Window Height (Max) | 1530mm |
| Sash Height & Width | 45mm / 20mm |
| Interlocking Visible Face Width | |
| - Non Slim Interlock | 40mm |
| Track Option & Depth | |
| - 2 Track Depth | 53mm / 56mm |
| - 3 Track Depth | 82mm / 84mm |
| Corner Joint | |
| - Track Joint | 90 Degree |
| - Sash Joint | 90 Degree |
| Glass Range | |
| - Single Glass Sash | 4mm to 6mm |
| Roller Weight Capacity (2 Pcs.) | 65kg / Sash |
| Locking Type | Single Point Lock |





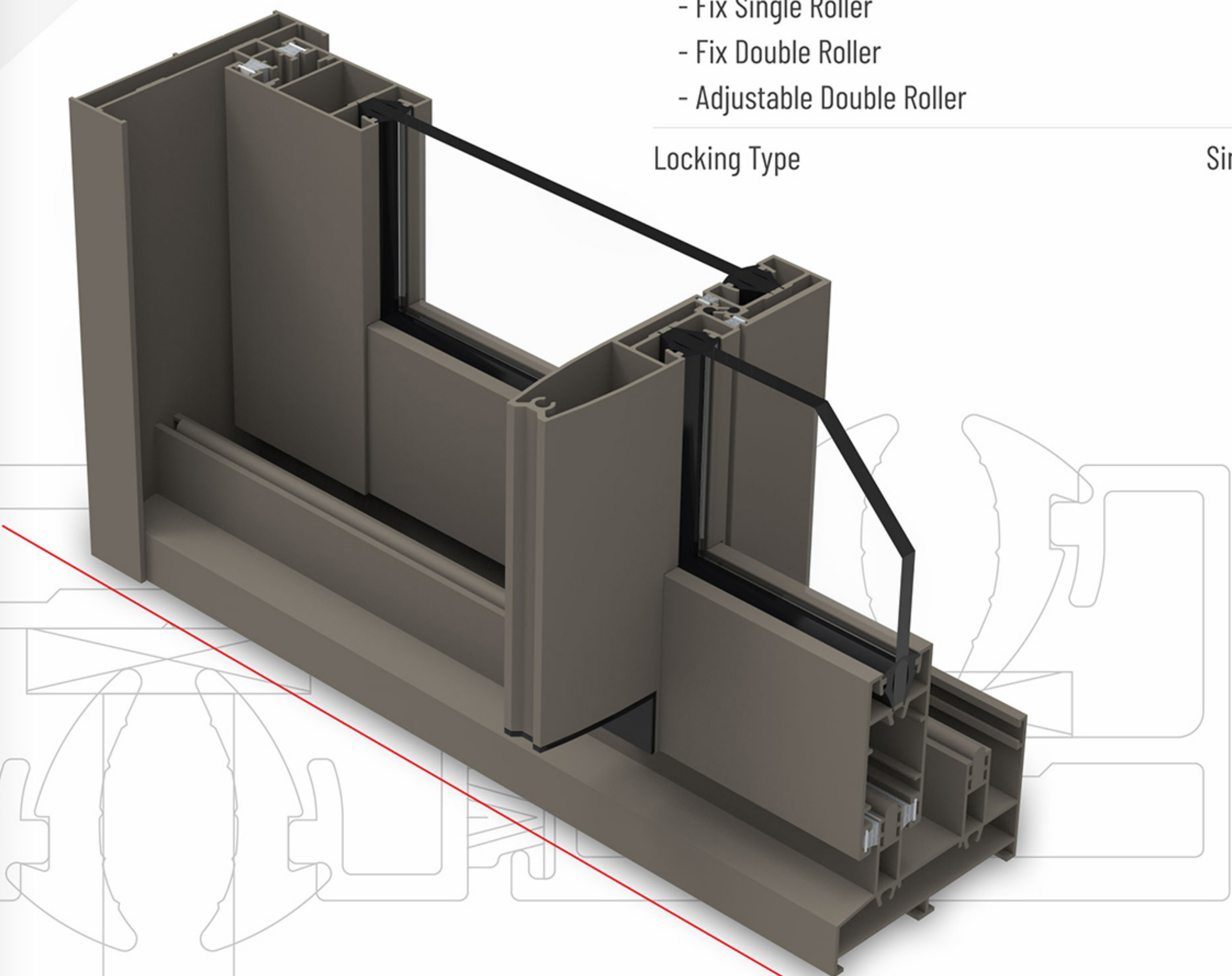
COS.28

28mm Opulence Sliding



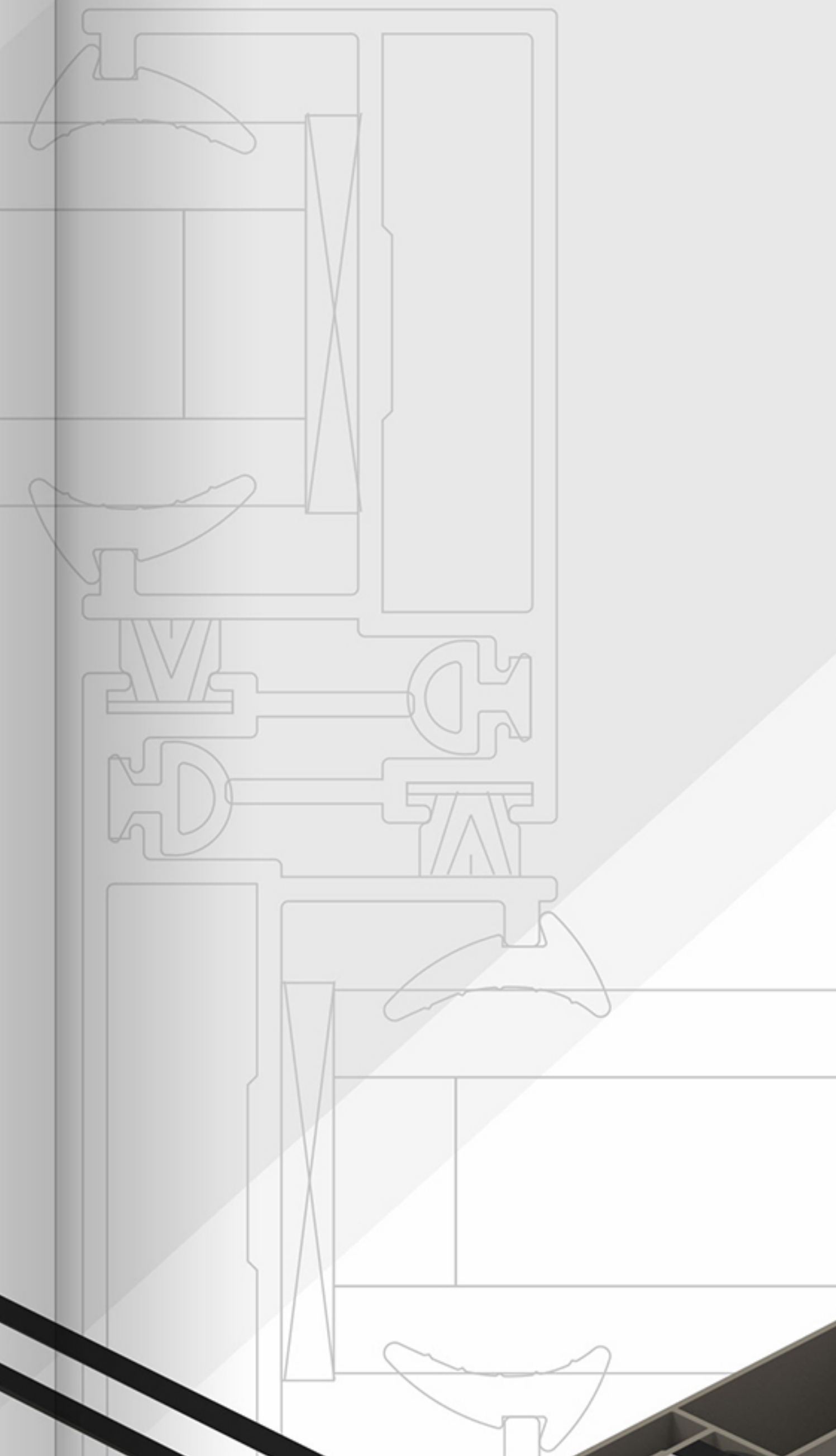
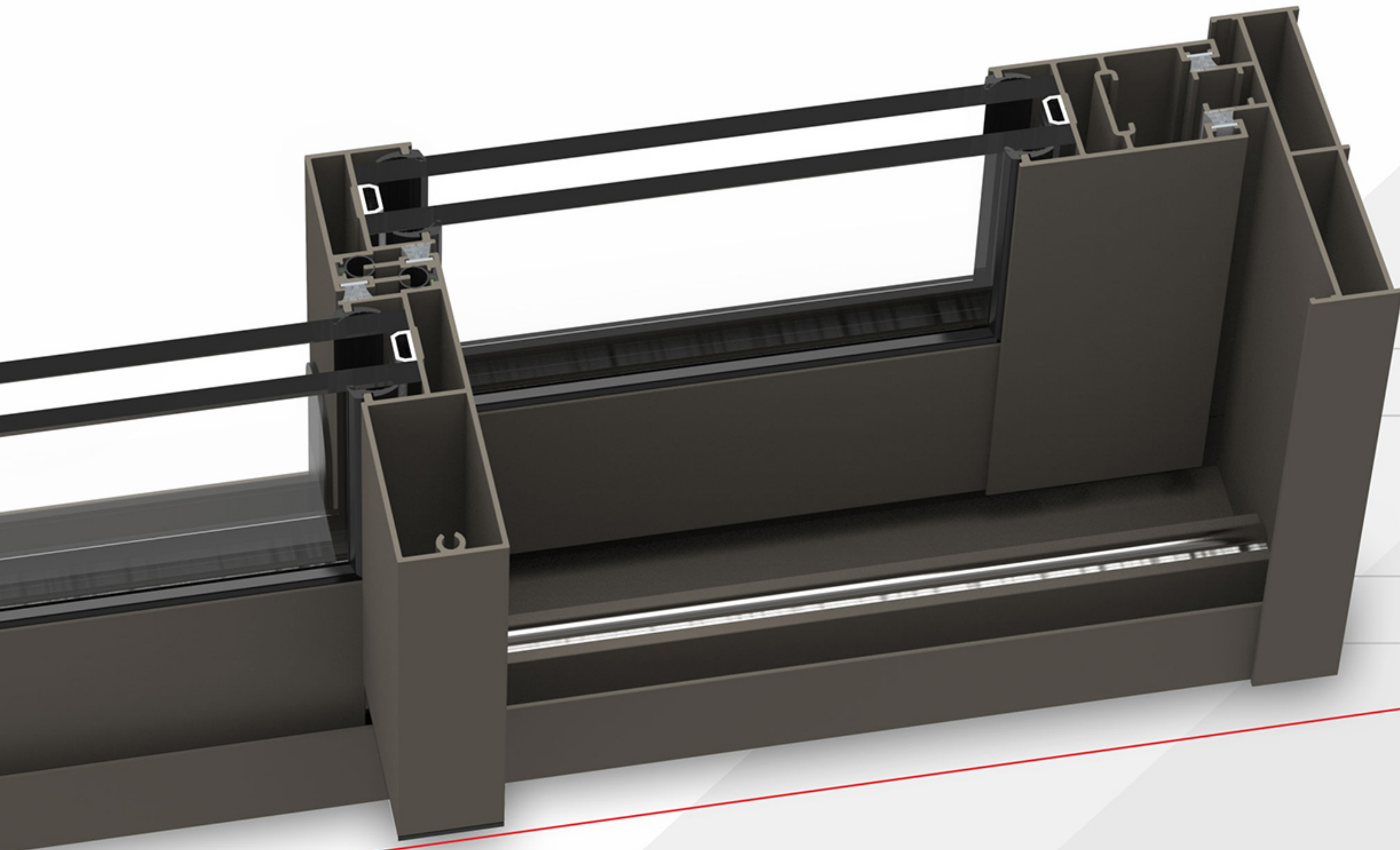
TECHNICAL CHARACTERISTICS

| | |
|---------------------------------|--|
| Window Height (Max) | 2400mm |
| Sash Height & Width | 55mm / 28mm |
| Interlocking Visible Face Width | |
| - Slim Interlock | 20mm |
| - Non Slim Interlock | 55mm |
| Track Option & Depth | |
| - 2 Track Depth | 74mm (Top/Bottom) / 78mm (Vertical) |
| - 3 Track Depth | 109mm (Top/Bottom) / 113mm (Vertical) |
| - 4 Track Depth | 143mm (Top/Bottom) / 148mm (Vertical) |
| - Single Track Addition Option | Available for Mono Track |
| Corner Joint | |
| - Track Joint | 90 Degree |
| - Sash Joint | 90 Degree |
| Glass Range | |
| - Single Glass Sash | 4mm to 6mm |
| - Double Glass Sash | 16mm to 18mm |
| Roller Weight Capacity (2 Pcs.) | |
| - Fix Single Roller | 45kg / Sash |
| - Fix Double Roller | 65kg / Sash |
| - Adjustable Double Roller | 160kg / Sash |
| Locking Type | Single & Multipoint |



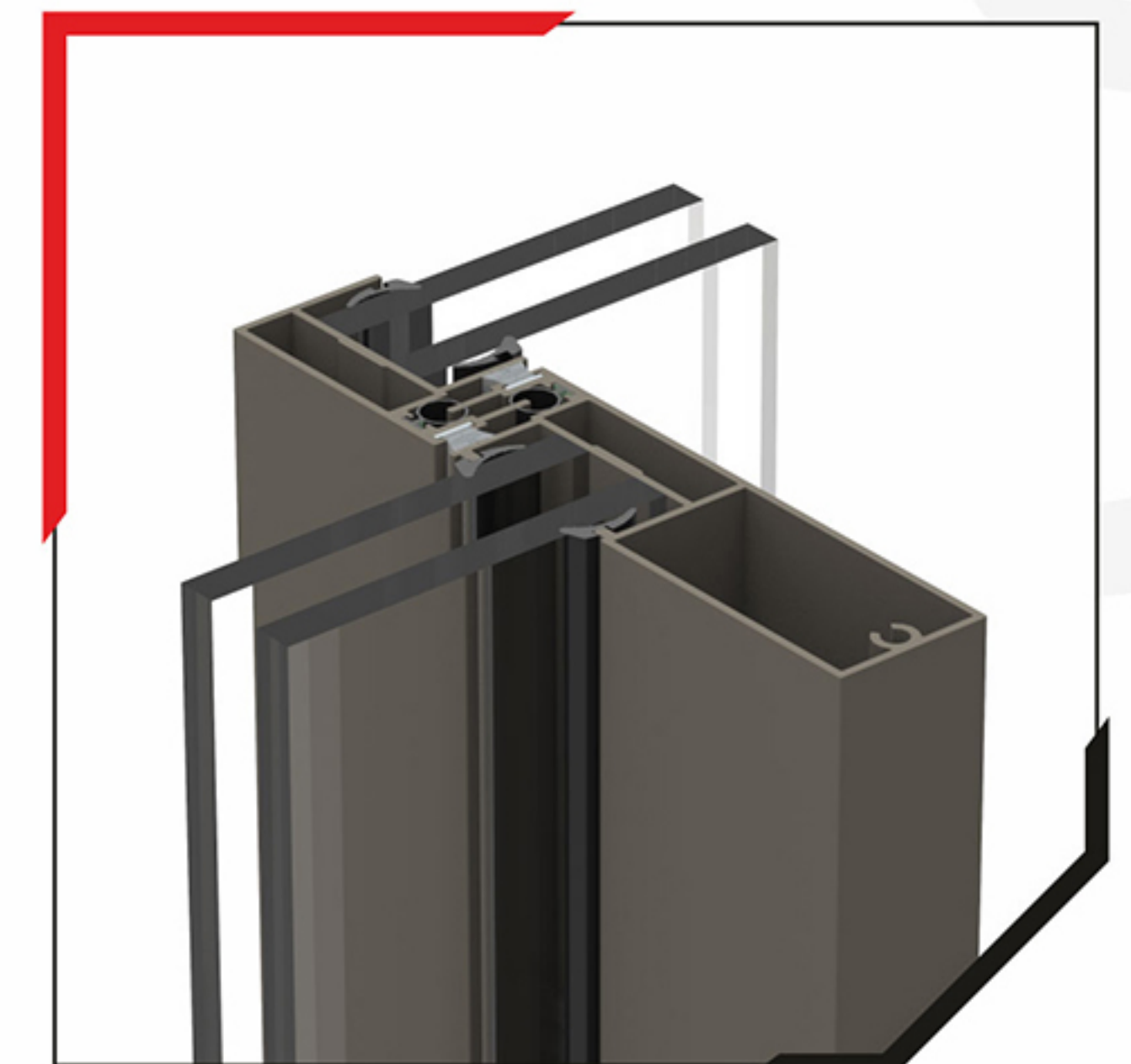
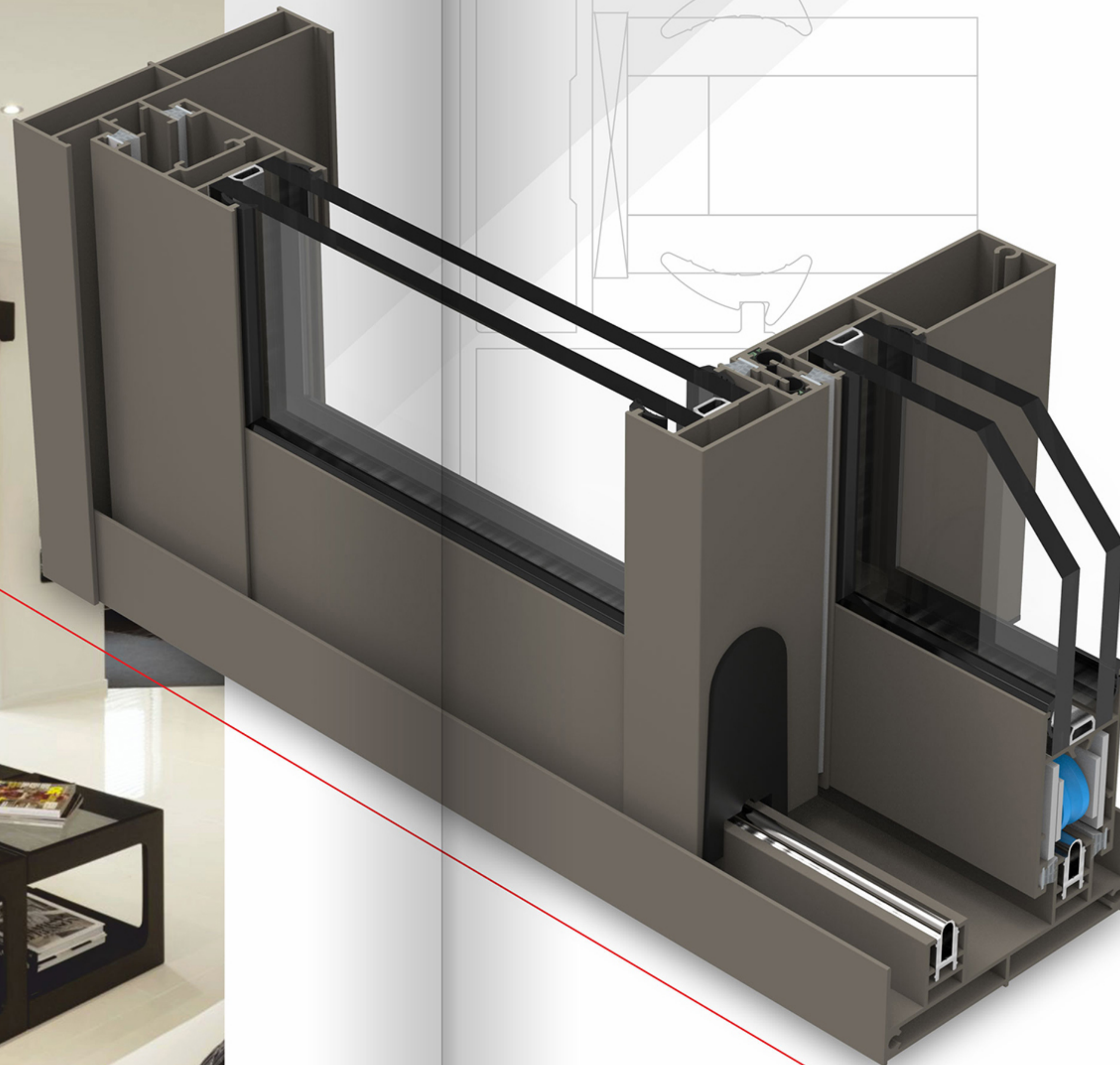
COS.35

35mm Opulence Sliding



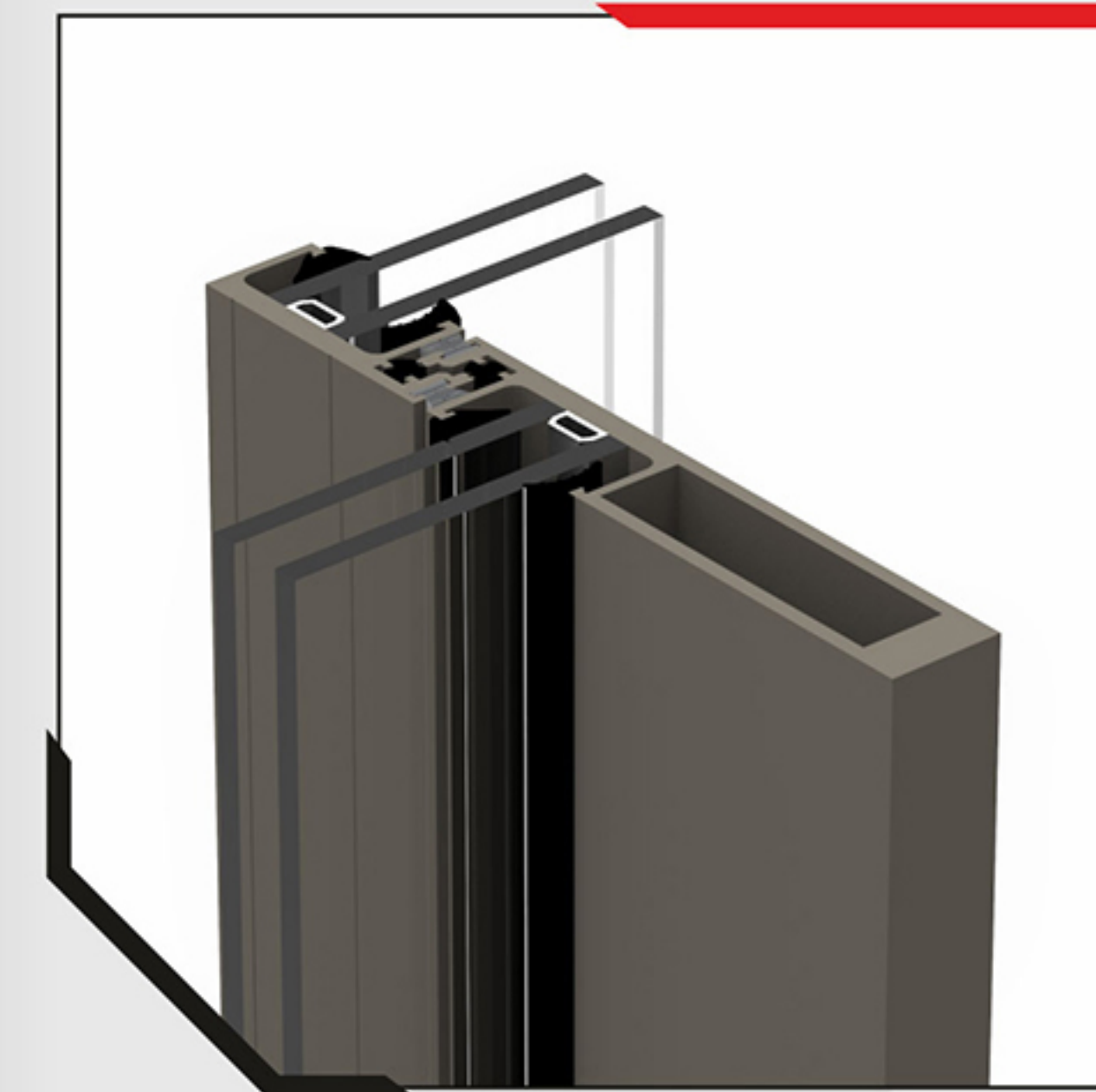
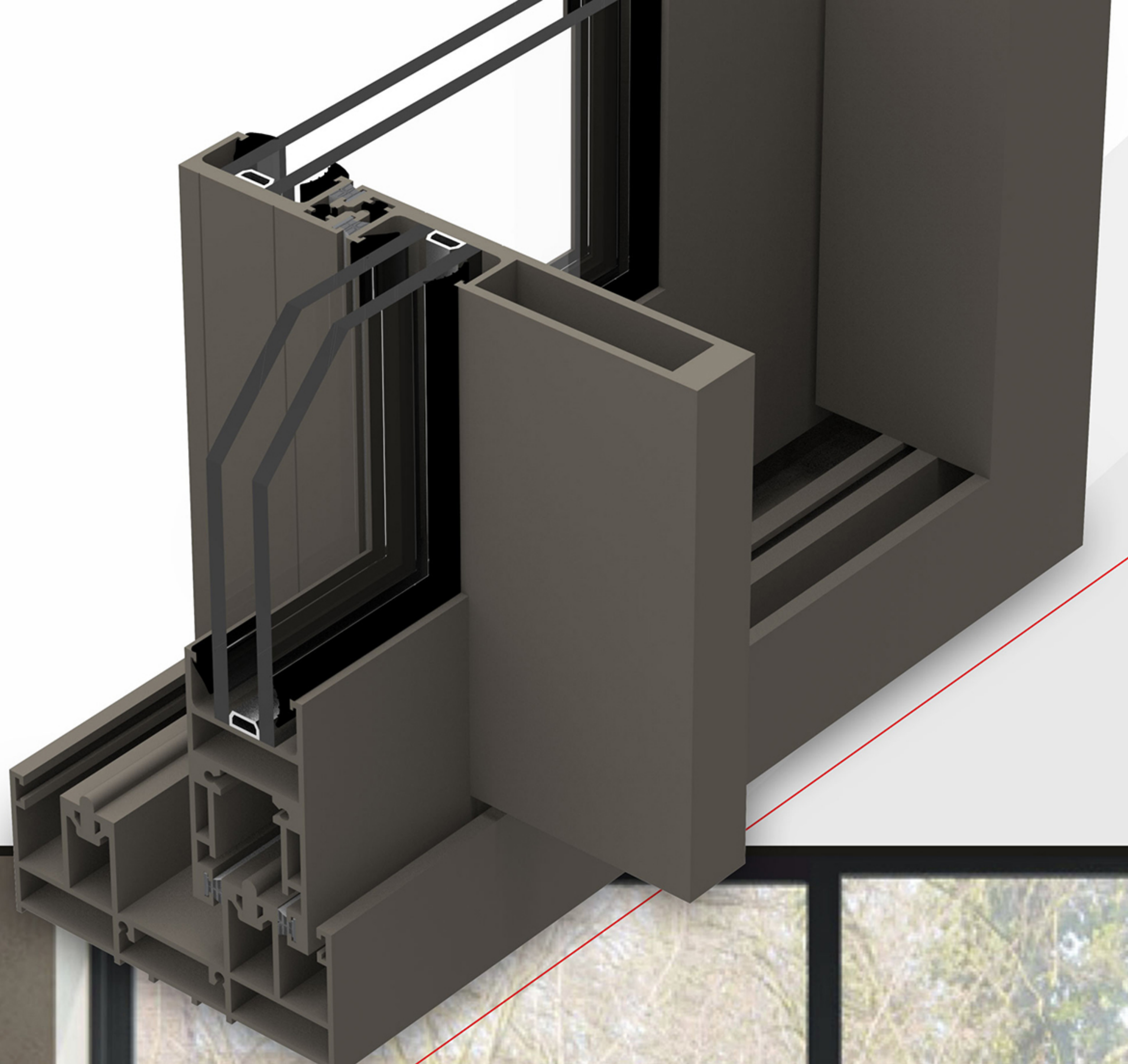
TECHNICAL CHARACTERISTICS

| | |
|-------------------------------------|--|
| Window Height (Max) | 3100mm |
| Sash Height & Width | 59mm / 35mm |
| Interlocking Visible Face Width | |
| - Slim Interlock | 27mm |
| Track Option & Depth | |
| - Mono Track Depth & Visible Height | 96/45mm |
| - 2 Track Depth | 95mm (Top/Bottom) / 100mm (Vertical) |
| - 3 Track Depth | 143mm (Top/Bottom) / 150mm (Vertical) |
| Corner Joint | |
| - Track Joint | 90 Degree |
| - Sash Joint | 90 Degree |
| Glass Range | |
| - Single Glass Sash | 6mm to 13.5mm |
| - Double Glass Sash | 18mm to 24mm |
| Roller Weight Capacity (2 Pcs.) | |
| - Adjustable Double Roller | 160kg / Sash |
| - Adjustable Double Roller | 200kg / Sash |
| Locking Type | Single & Multipoint |



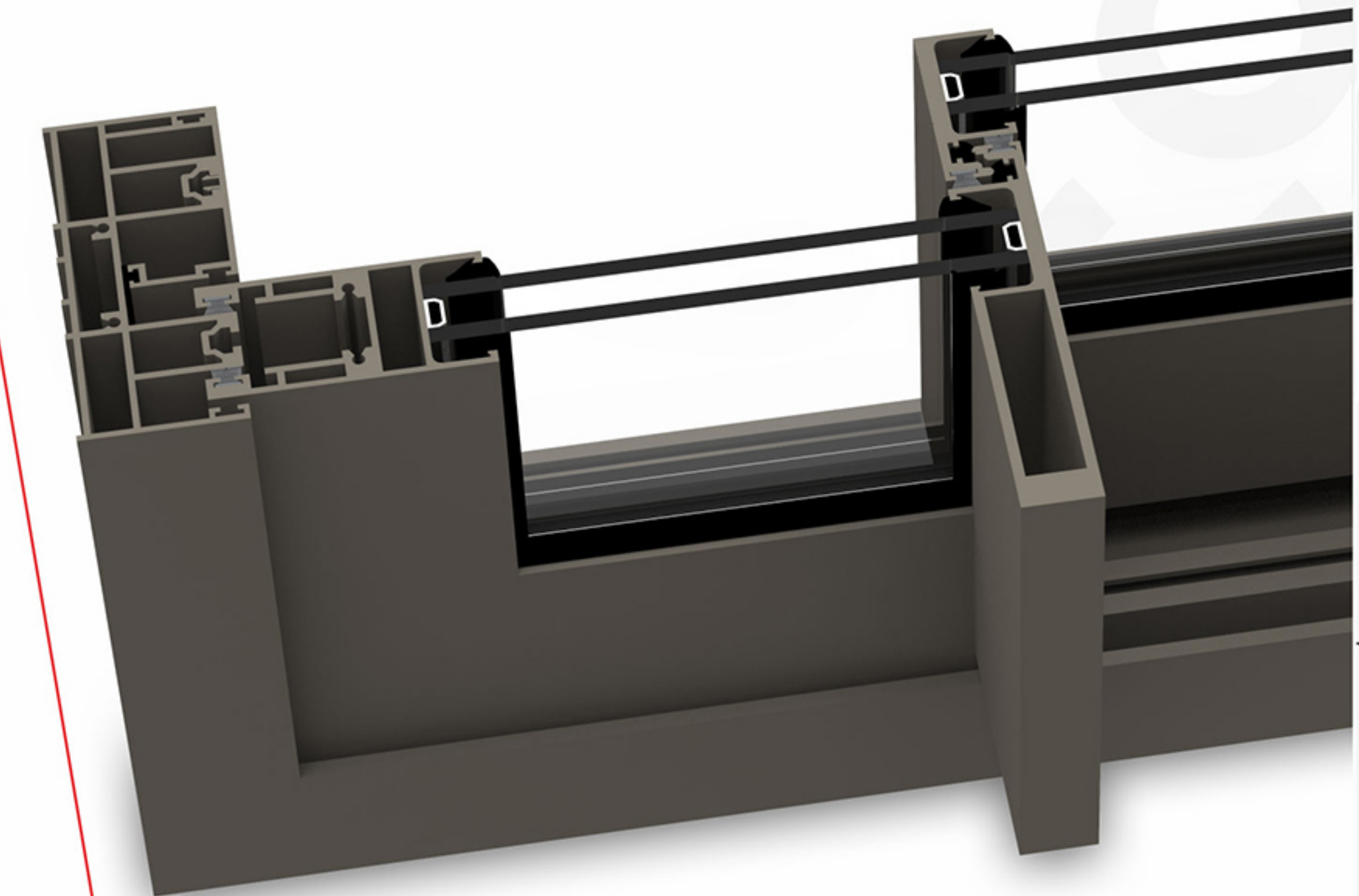
COS.39

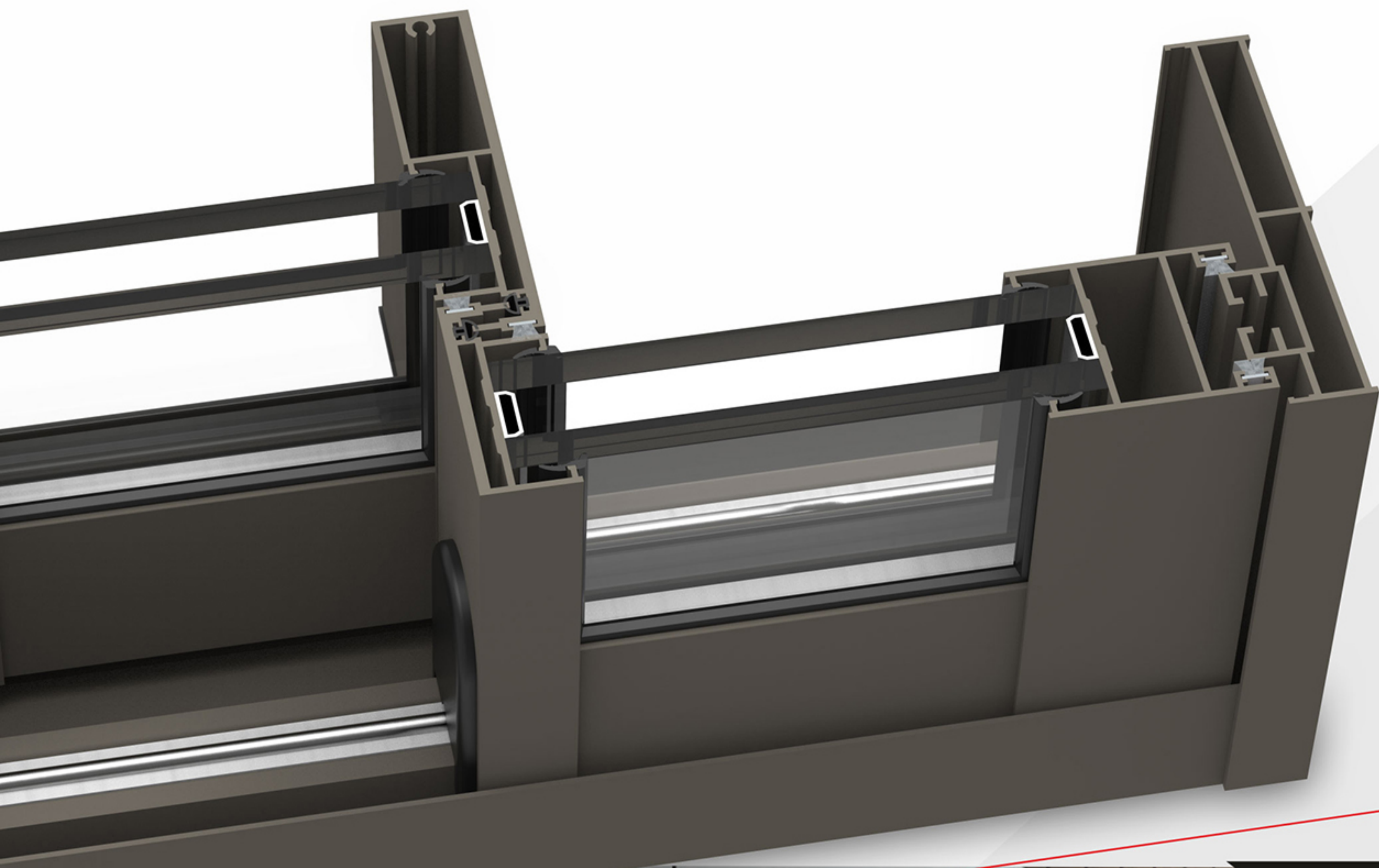
39mm Opulence Sliding



TECHNICAL CHARACTERISTICS

| | |
|---|---|
| Window Height (Max) | 3350mm |
| Sash Height & Width | 76mm / 39mm |
| Interlocking Visible Face Width | |
| - Slim Interlock | 22mm |
| - Non Slim Interlock | 76mm |
| Track Option & Depth | |
| - 2 Track Top/Bottom Depth & Visible Height | 111mm x 45mm |
| - 2 Track Vertical Depth & Visible Height | 111mm x 23mm |
| - 3 Track Top/Bottom Depth & Visible Height | 167mm x 45mm |
| - 3 Track Vertical Depth & Visible Height | 167mm x 23mm |
| Corner Joint | |
| - Track Joint | 45 / 90 Degree |
| - Non Slim Sash Joint | 45 Degree |
| - Slim Interlock Joint | 90 Degree |
| Glass Range | |
| - Double Glass Sash | 24-28mm / 11.5mm to 13.5mm (with reducer) |
| Roller Weight Capacity (2 Pcs.) | |
| - Double Roller | 200kg - 400kg |
| Locking Type | |
| - Lift & Slide Locking | Multipoint |
| - BT Lock Locking | Multipoint (Top & Bottom Track Locking) |





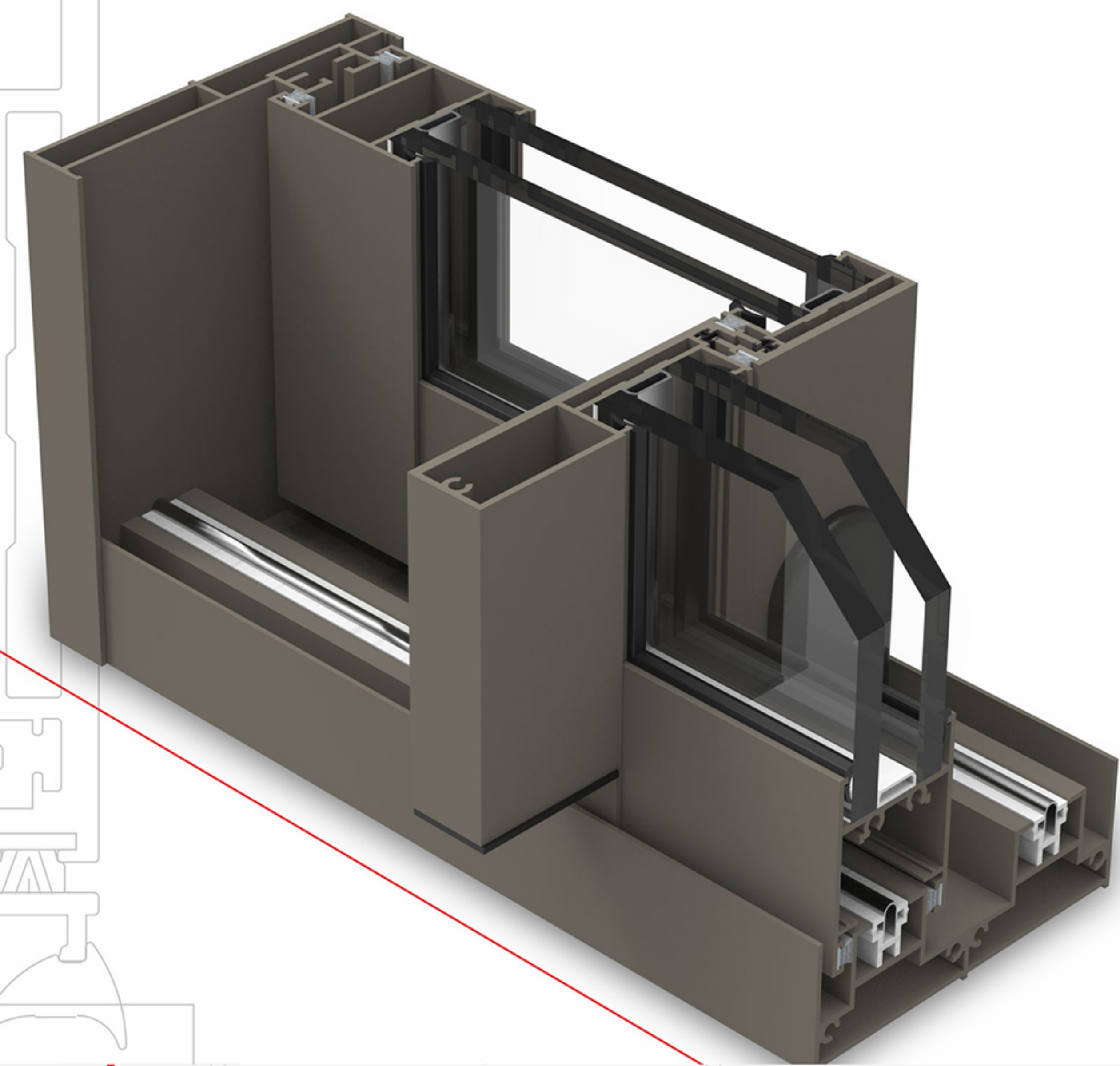
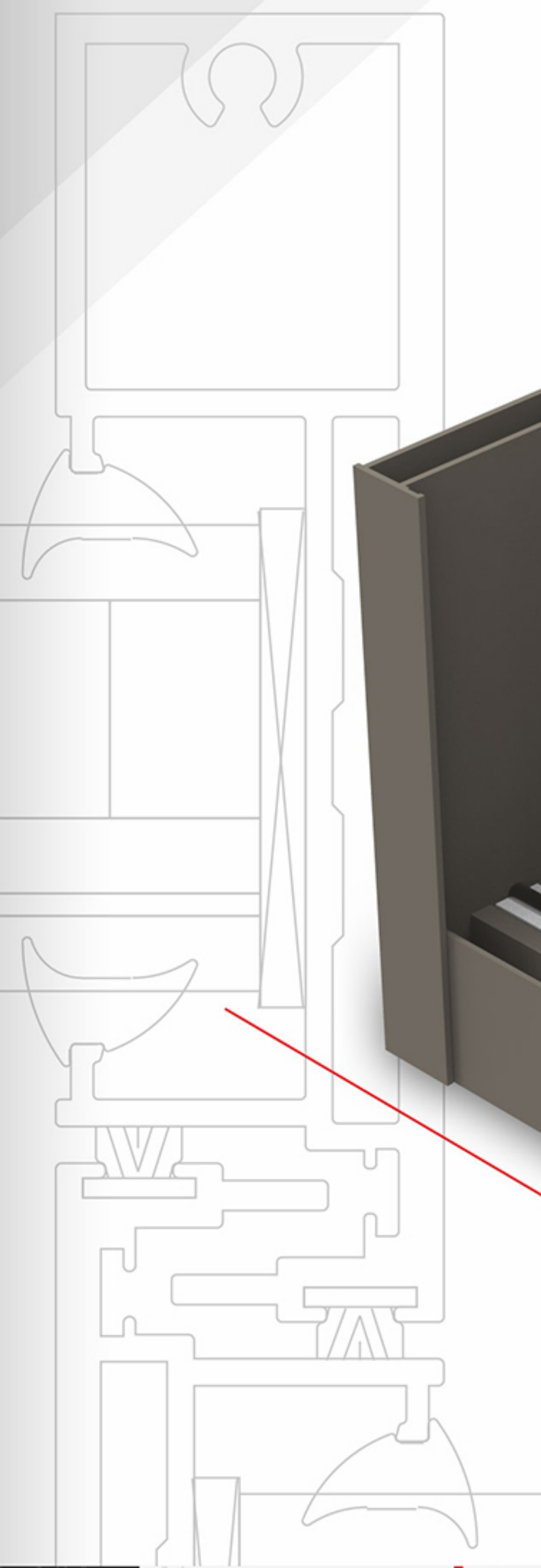
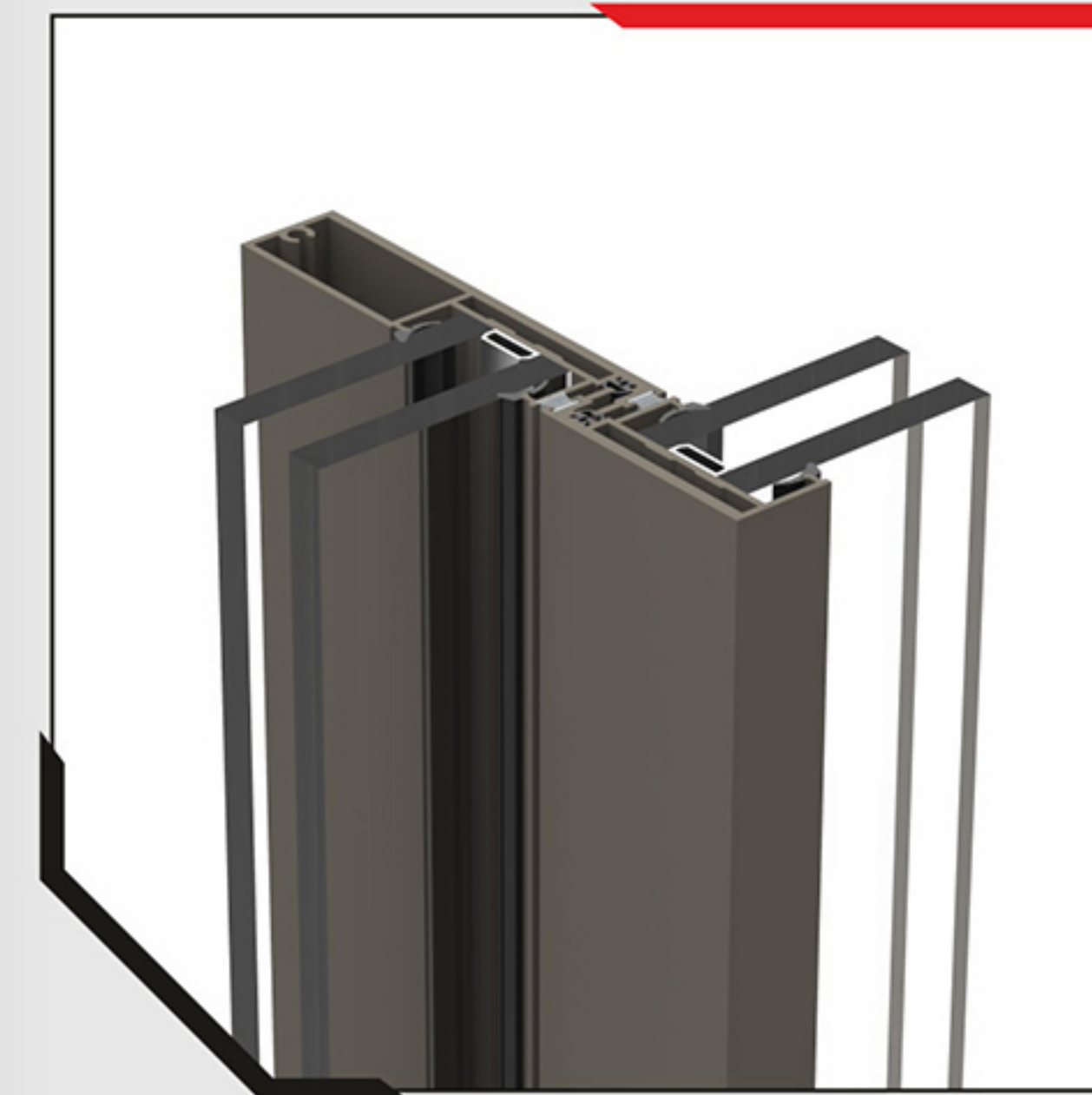
COS.49

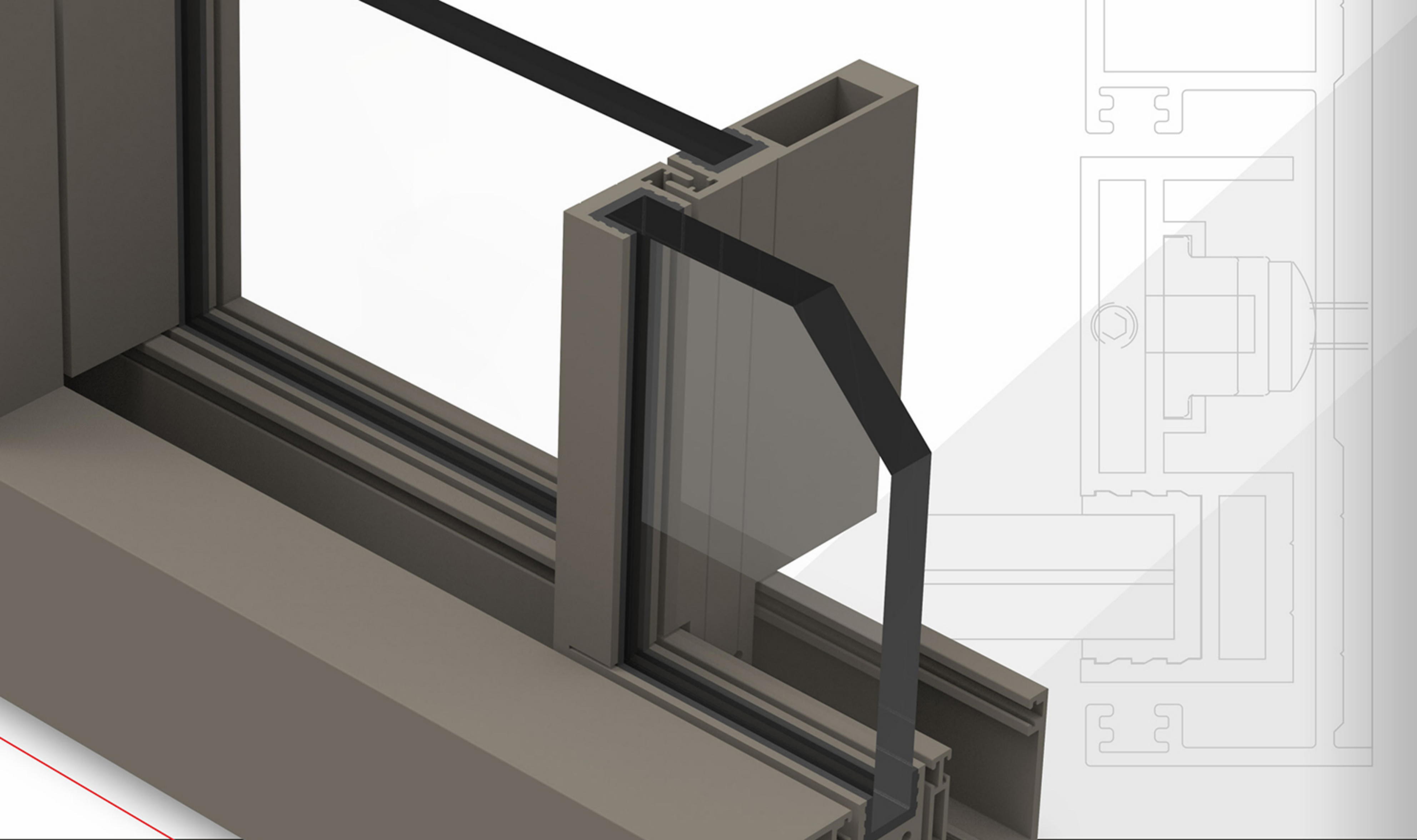
49mm Opulence Sliding



TECHNICAL CHARACTERISTICS

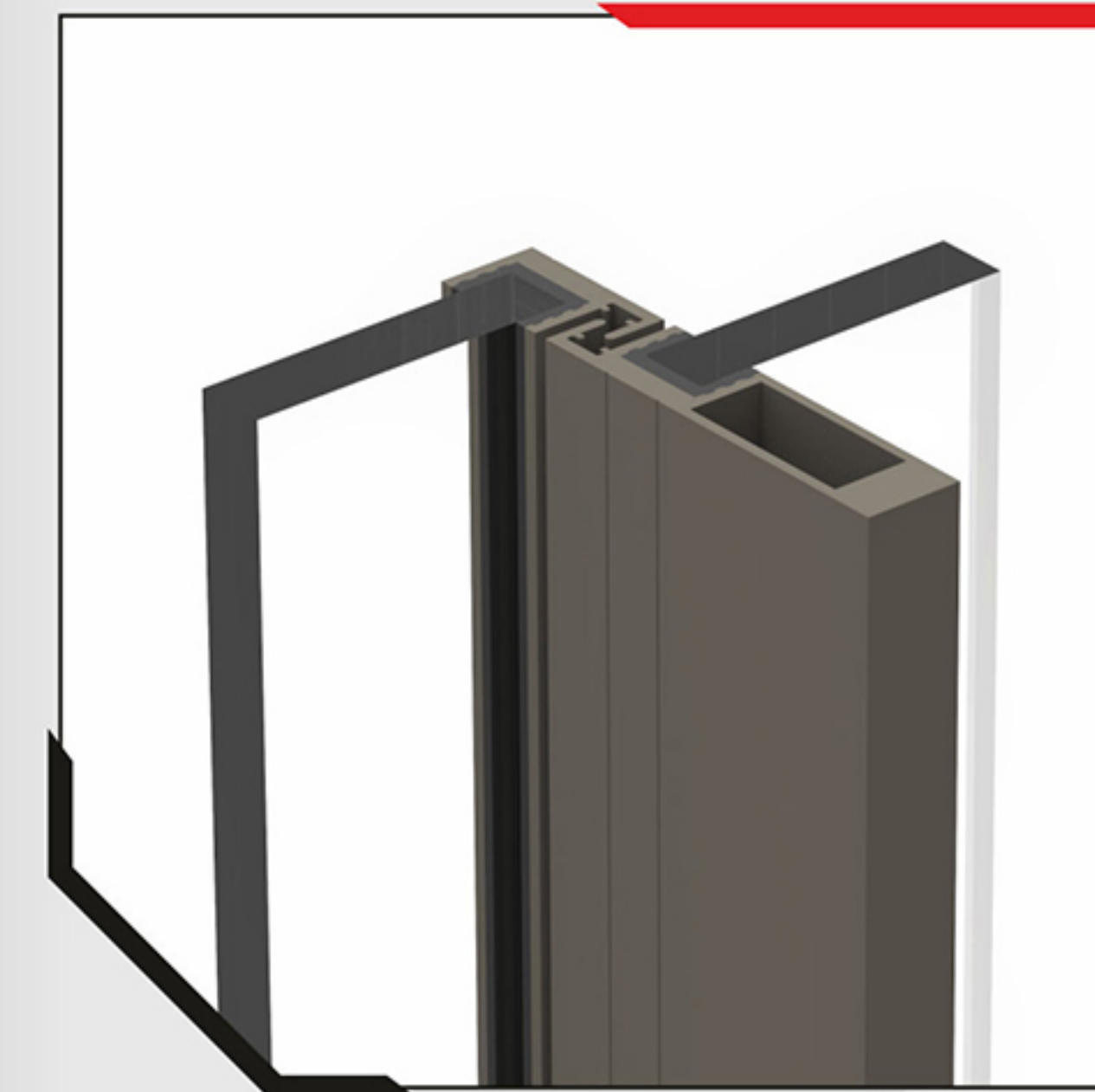
| | |
|---------------------------------|---------------------------------------|
| Window Height (Max) | 3650mm |
| Sash Height & Width | 58mm & 67mm / 49mm |
| Interlocking Visible Face Width | |
| - Slim Interlock | 25mm |
| Track Option & Depth | |
| - 2 Track | 120mm (Top/Bottom) / 125mm (Vertical) |
| - 3 Track | 187mm (Top/Bottom) / 191mm (Vertical) |
| Corner Joint | |
| - Track Joint | 90 Degree |
| - Slim Interlock Joint | 90 Degree |
| Glass Range | |
| - Double Glass Sash | 26-36mm / 11mm to 18mm (with reducer) |
| Roller Weight Capacity (2 Pcs.) | |
| - Adjustable Double Roller | 160kg / Sash |
| - Adjustable Double Roller | 200kg / Sash |
| - Adjustable Double Roller | 300kg / Sash |
| Locking Type | Single & Multipoint |





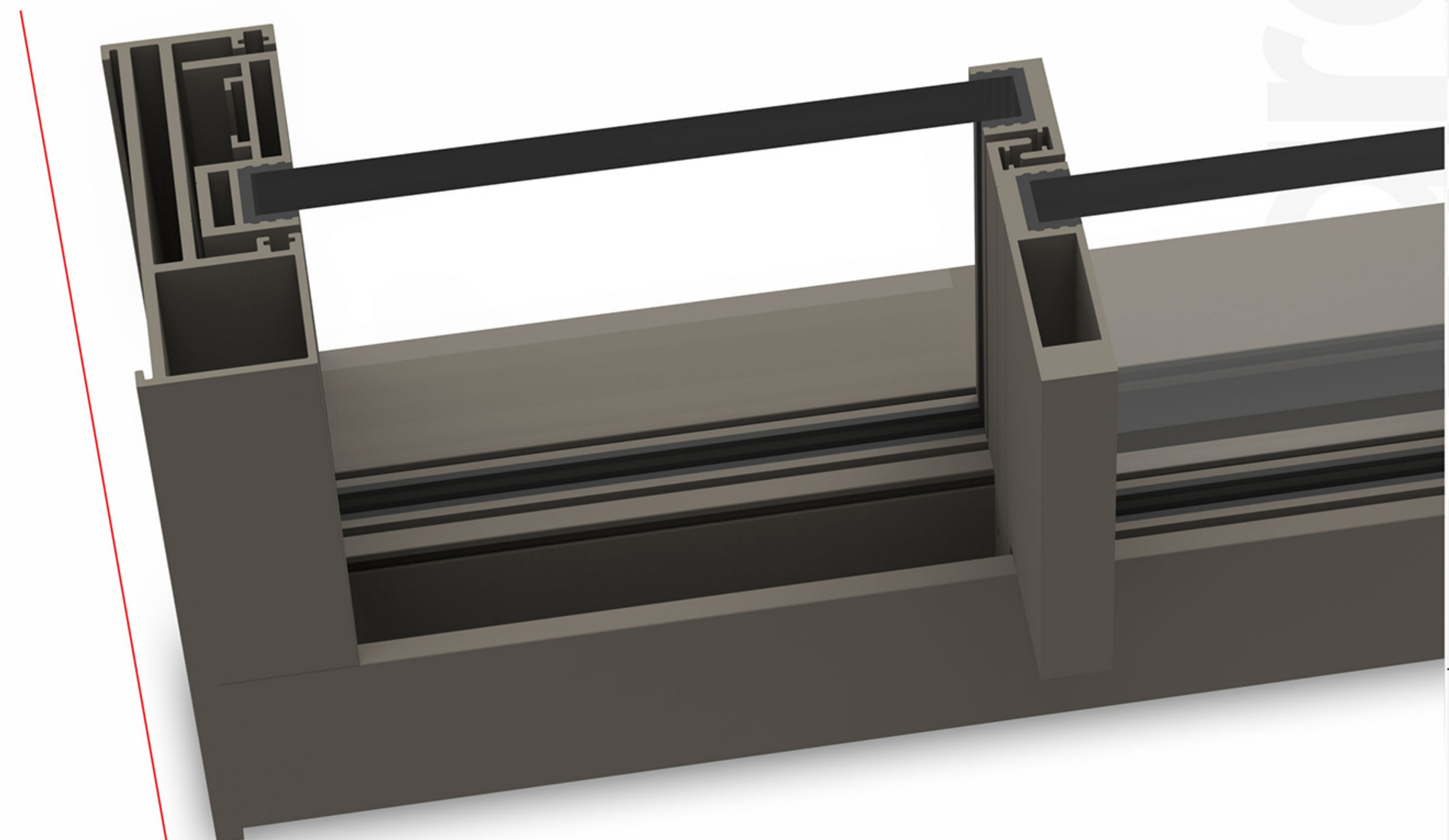
CES.23

23mm Excellence Sliding



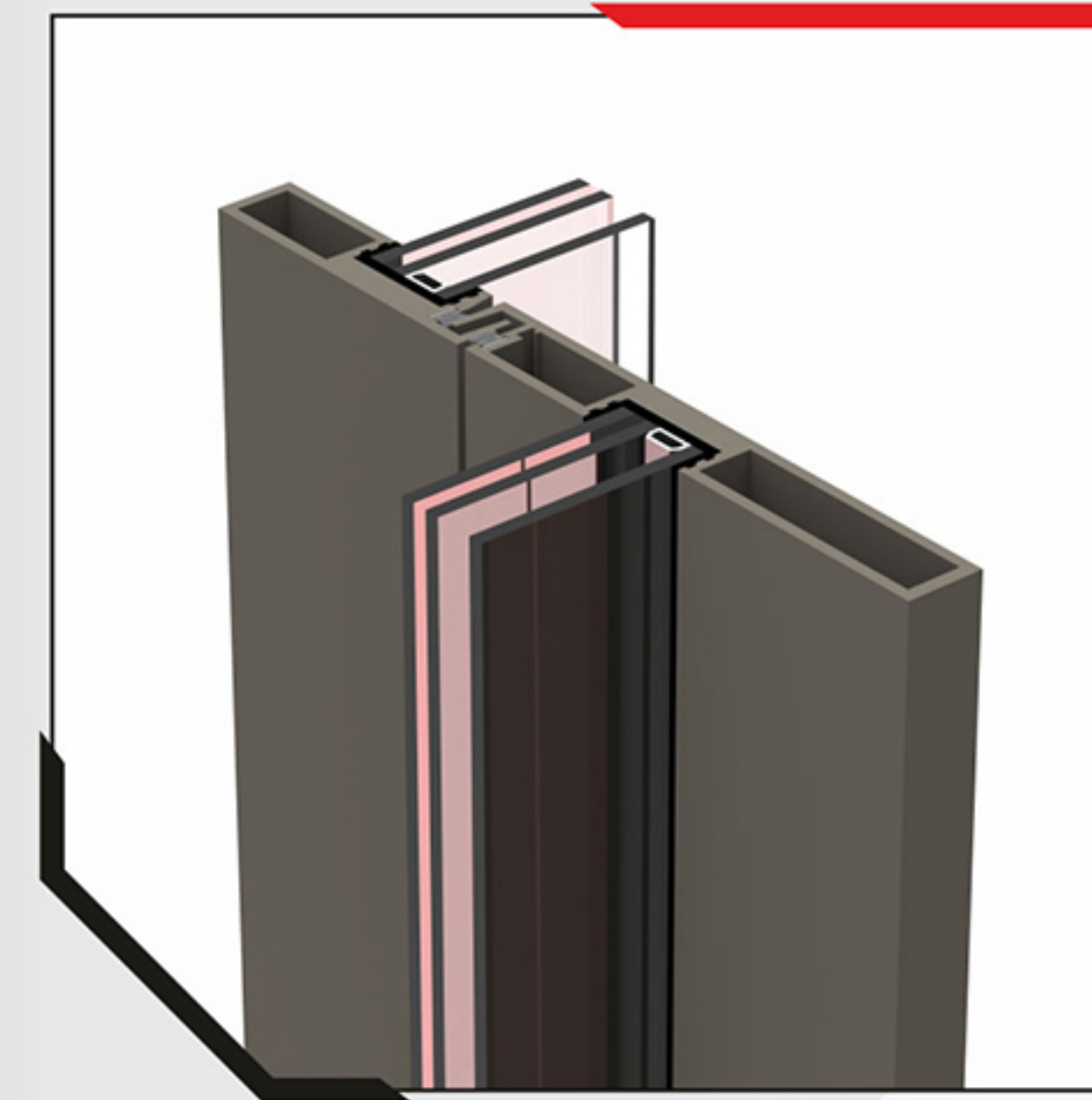
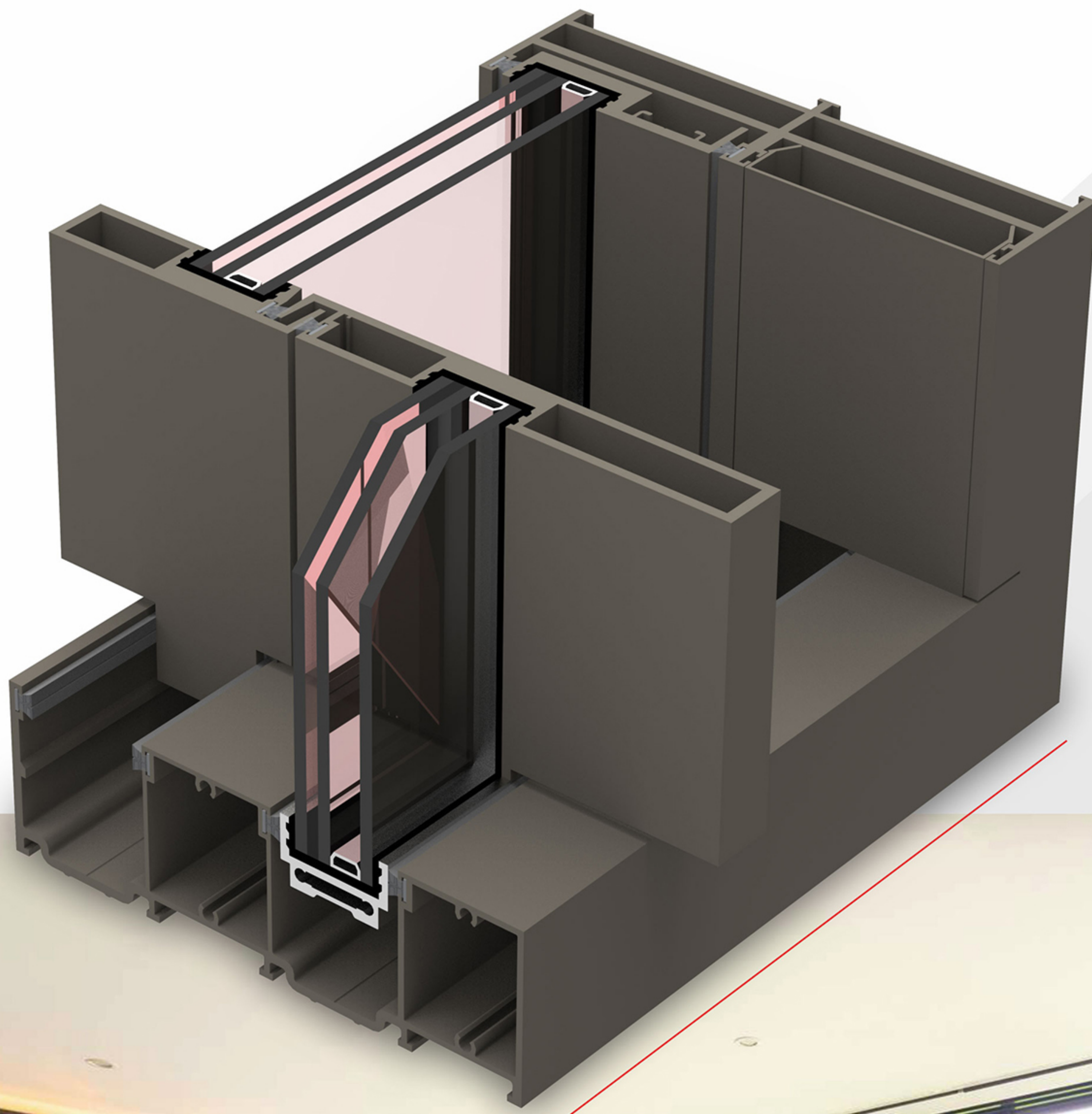
TECHNICAL CHARACTERISTICS

| | |
|---|------------------------|
| Window Height (Max) | 3000mm |
| Visible Face Height | |
| - Top/Bottom Track with Shutter | 65mm |
| - Vertical Track with Shutter | 42mm |
| - Slim Interlock | 18mm |
| Track Option & Depth | |
| - 2 Track Top/Bottom Depth & Visible Height | 110mm x 65mm |
| - 2 Track Vertical Depth & Visible Height | 110mm x 42mm |
| - 3 Track Top/Bottom Depth & Visible Height | 150mm x 65mm |
| - 3 Track Vertical Depth & Visible Height | 150mm x 42mm |
| Corner Joint | |
| - Track Joint | 90 Degree |
| - Sash Joint | 90 Degree |
| Glass Range | 13.5mm |
| Roller Weight Capacity (2 Pcs.) | |
| - Double Fix Roller in Shutter | 200kg - 400kg |
| Locking Type | Euro Groove Multipoint |



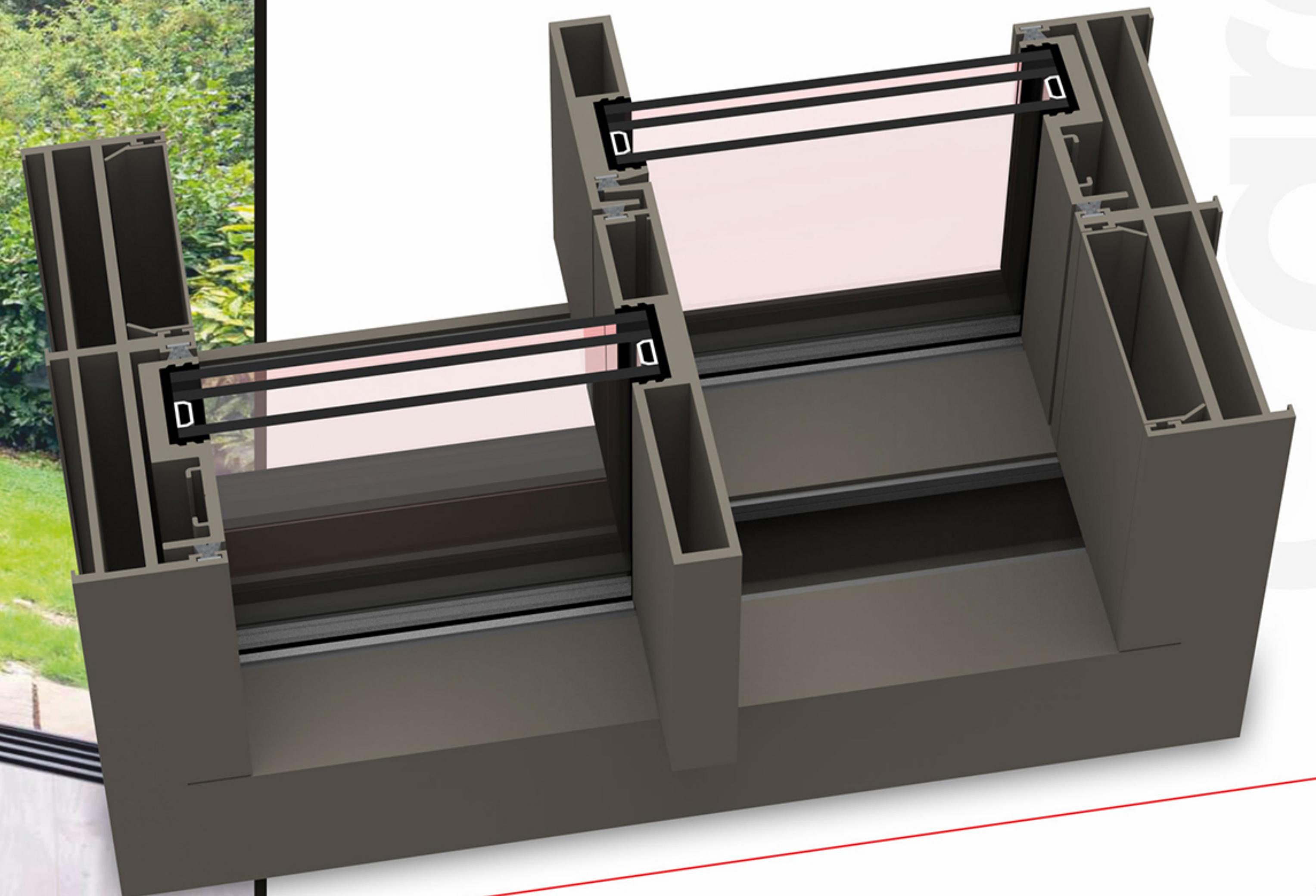
CES.36

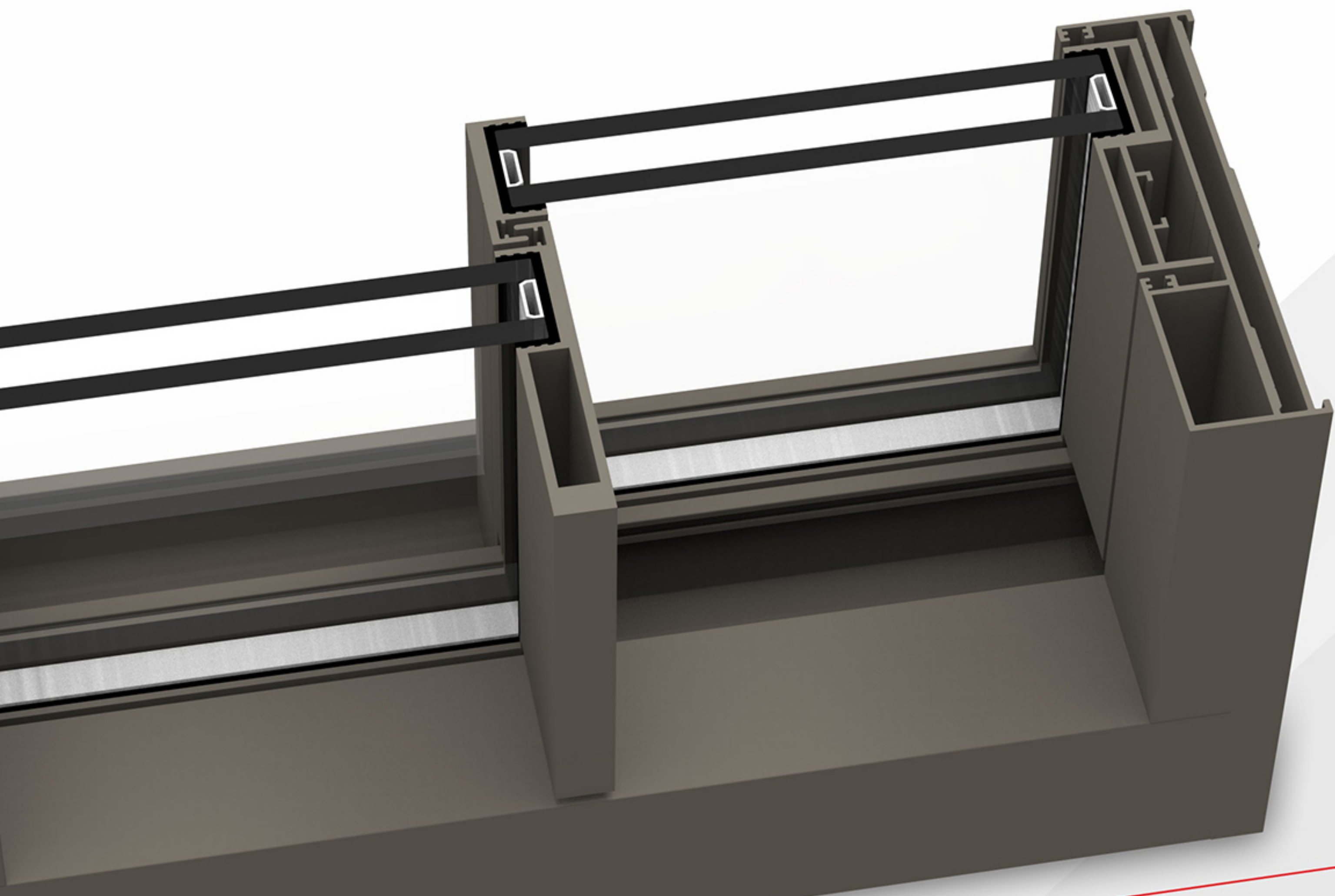
36mm Excellence Sliding



TECHNICAL CHARACTERISTICS

| | |
|---|------------------------|
| Window Height (Max) | 3500mm |
| Visible Face Height | |
| - Top/Bottom Track with Shutter | 55mm |
| - Vertical Track with Shutter | 45mm |
| - Slim Interlock | 20mm |
| Track Option & Depth | |
| - 2 Track Top/Bottom Depth & Visible Height | 175mm x 55mm |
| - 2 Track Vertical Depth & Visible Height | 175mm x 45mm |
| - 3 Track Top/Bottom Depth & Visible Height | 262mm x 55mm |
| - 3 Track Vertical Depth & Visible Height | 262mm x 45mm |
| Corner Joint | |
| - Track Joint | 90 Degree |
| - Sash Joint | 90 Degree |
| Glass Range | 26mm |
| Roller Weight Capacity (2 Pcs.) | |
| - Double Fix Roller in Shutter | 200kg - 400kg |
| Locking Type | Euro Groove Multipoint |





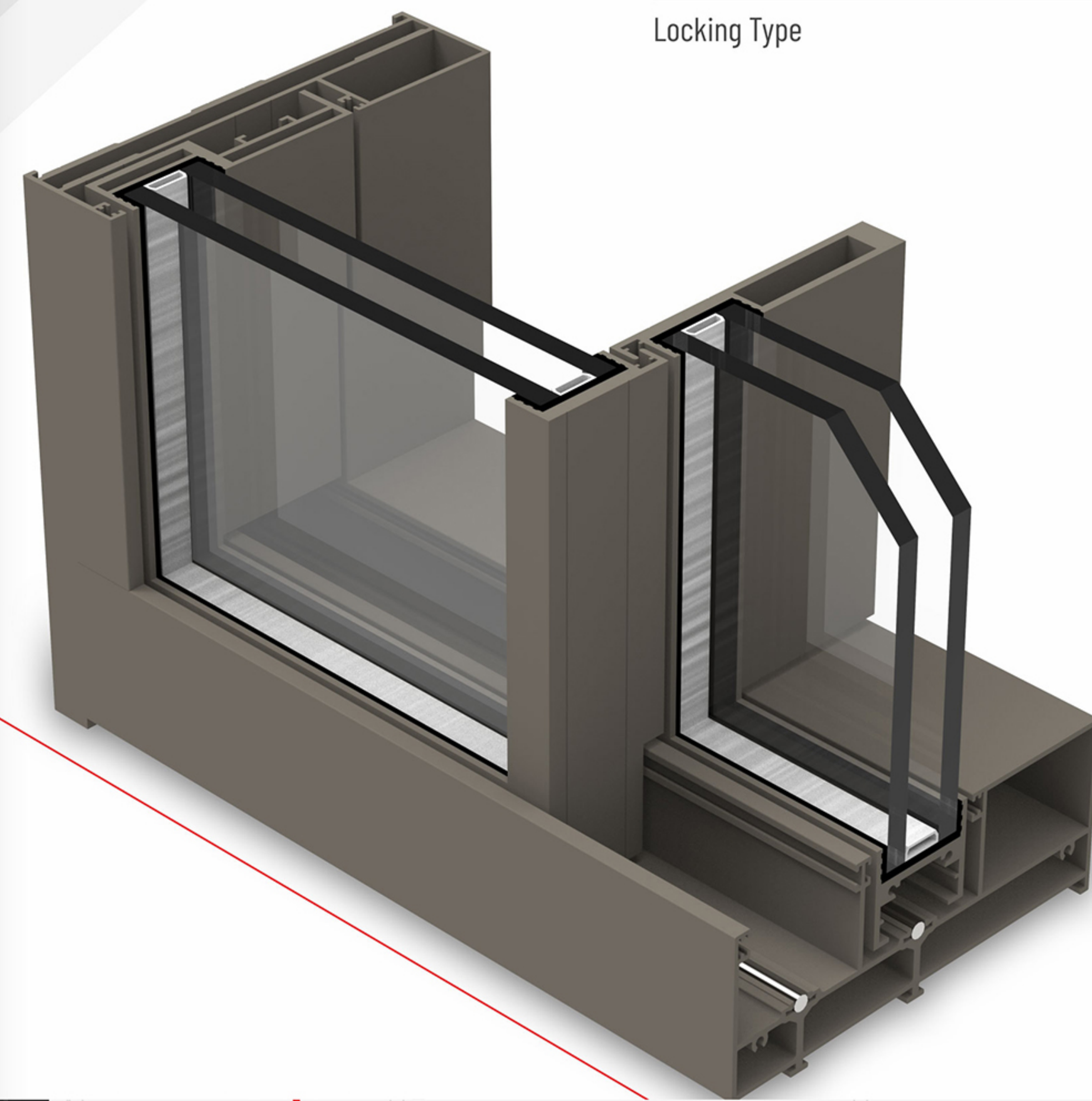
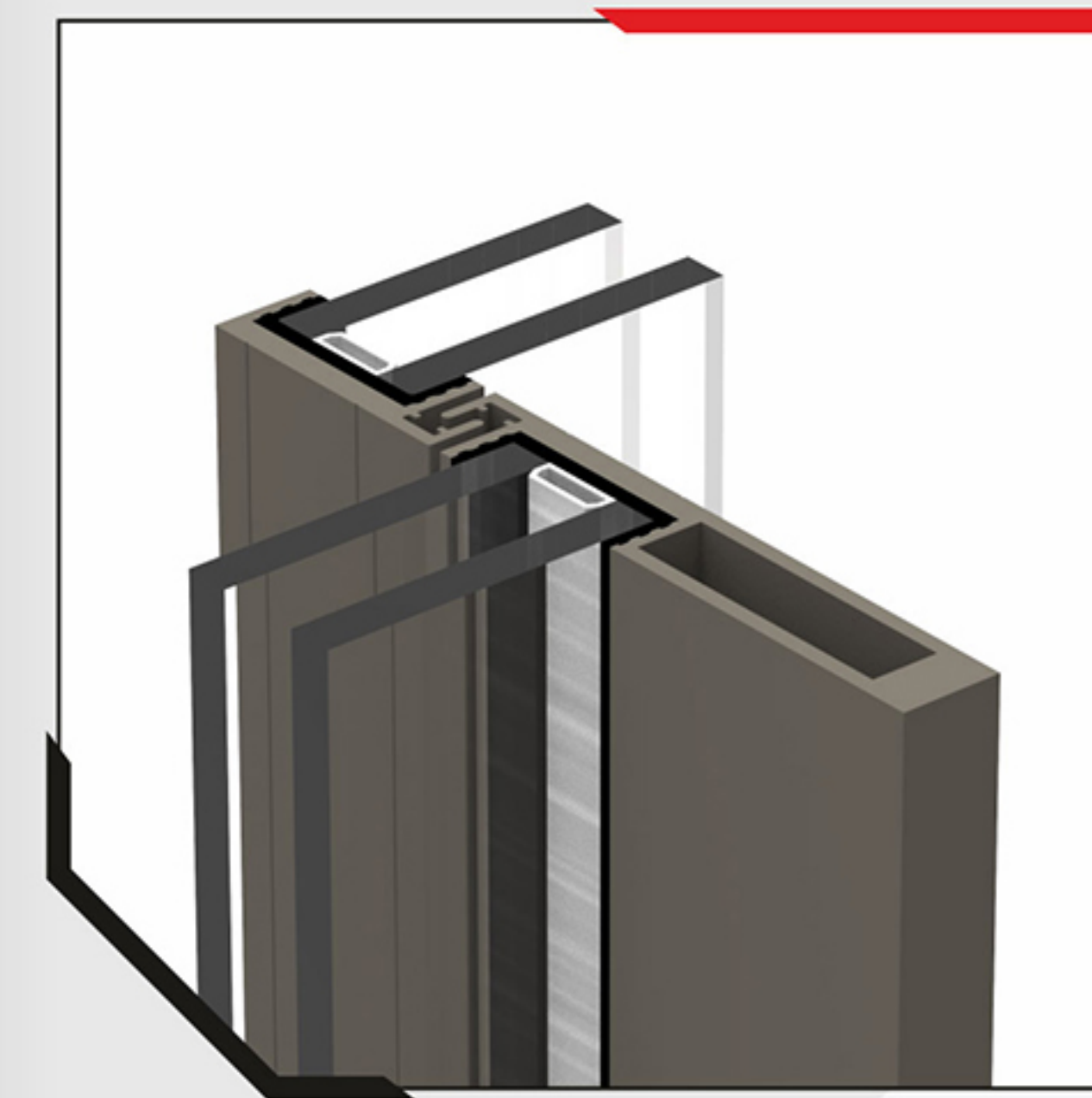
CES.41

41mm Excellence Sliding



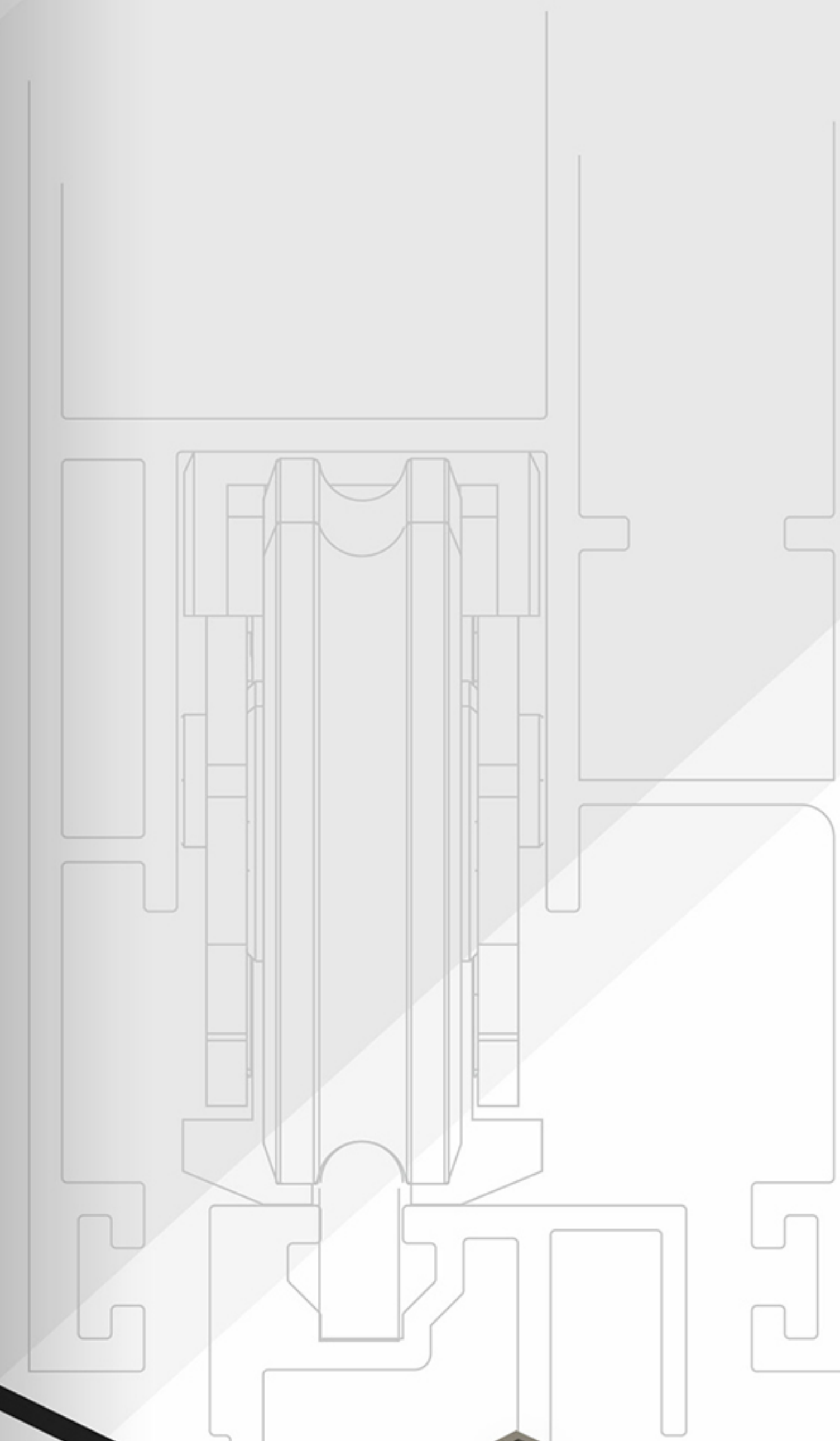
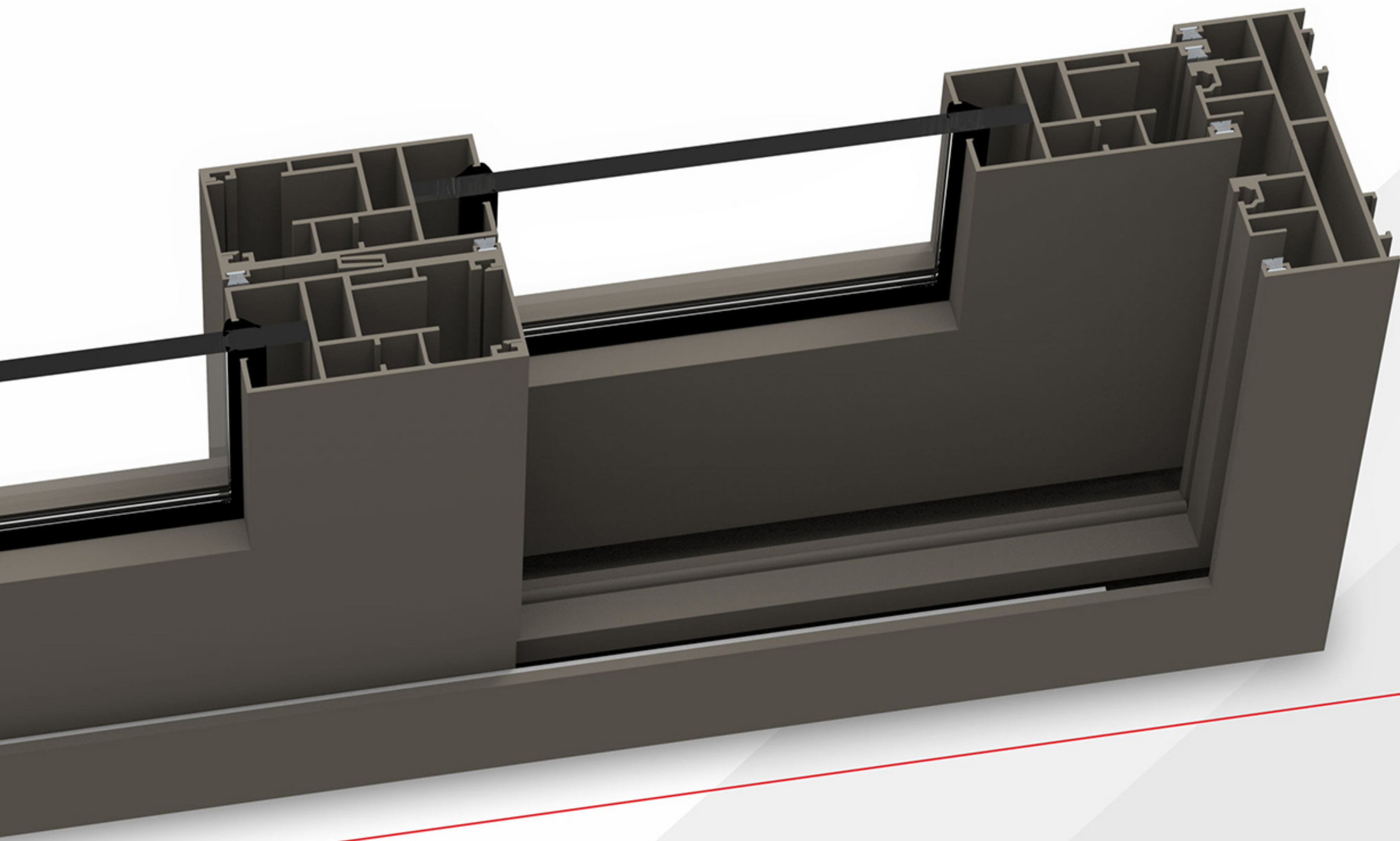
TECHNICAL CHARACTERISTICS

| | |
|---|------------------------|
| Window Height (Max) | 3500mm |
| Visible Face Height | |
| - Top/Bottom Track with Shutter | 65mm |
| - Vertical Track with Shutter | 42mm |
| - Slim Interlock | 18mm |
| Track Option & Depth | |
| - 2 Track Top/Bottom Depth & Visible Height | 175mm x 65mm |
| - 2 Track Vertical Depth & Visible Height | 175mm x 42mm |
| - 3 Track Top/Bottom Depth & Visible Height | 262mm x 65mm |
| - 3 Track Vertical Depth & Visible Height | 262mm x 42mm |
| Corner Joint | |
| - Track Joint | 90 Degree |
| - Sash Joint | 90 Degree |
| Glass Range | 31mm |
| Roller Weight Capacity (2 Pcs.) | |
| - Double Fix Roller in Shutter | 200kg - 400kg |
| Locking Type | Euro Groove Multipoint |



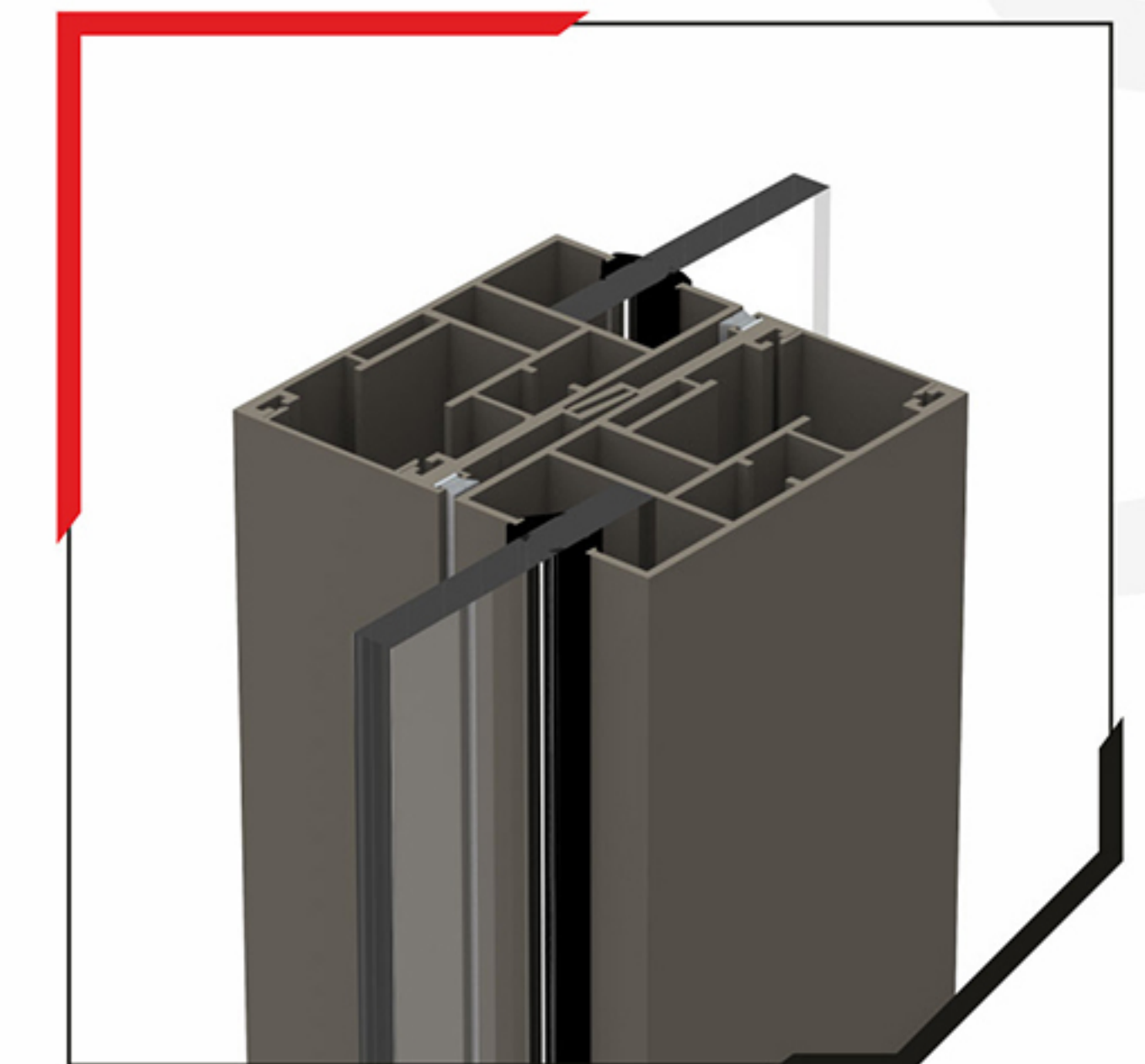
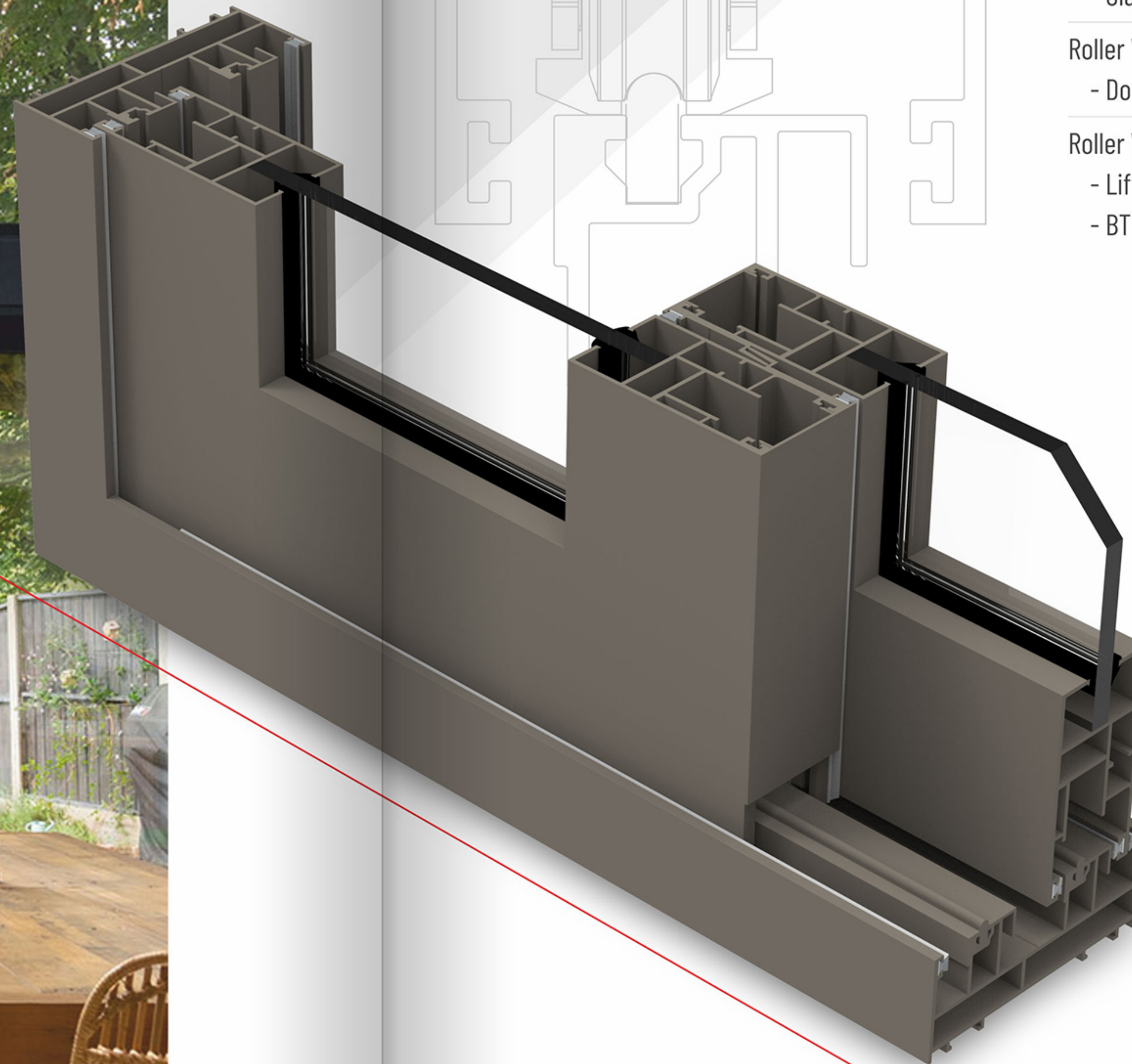
CES.50

50mm Excellence Sliding

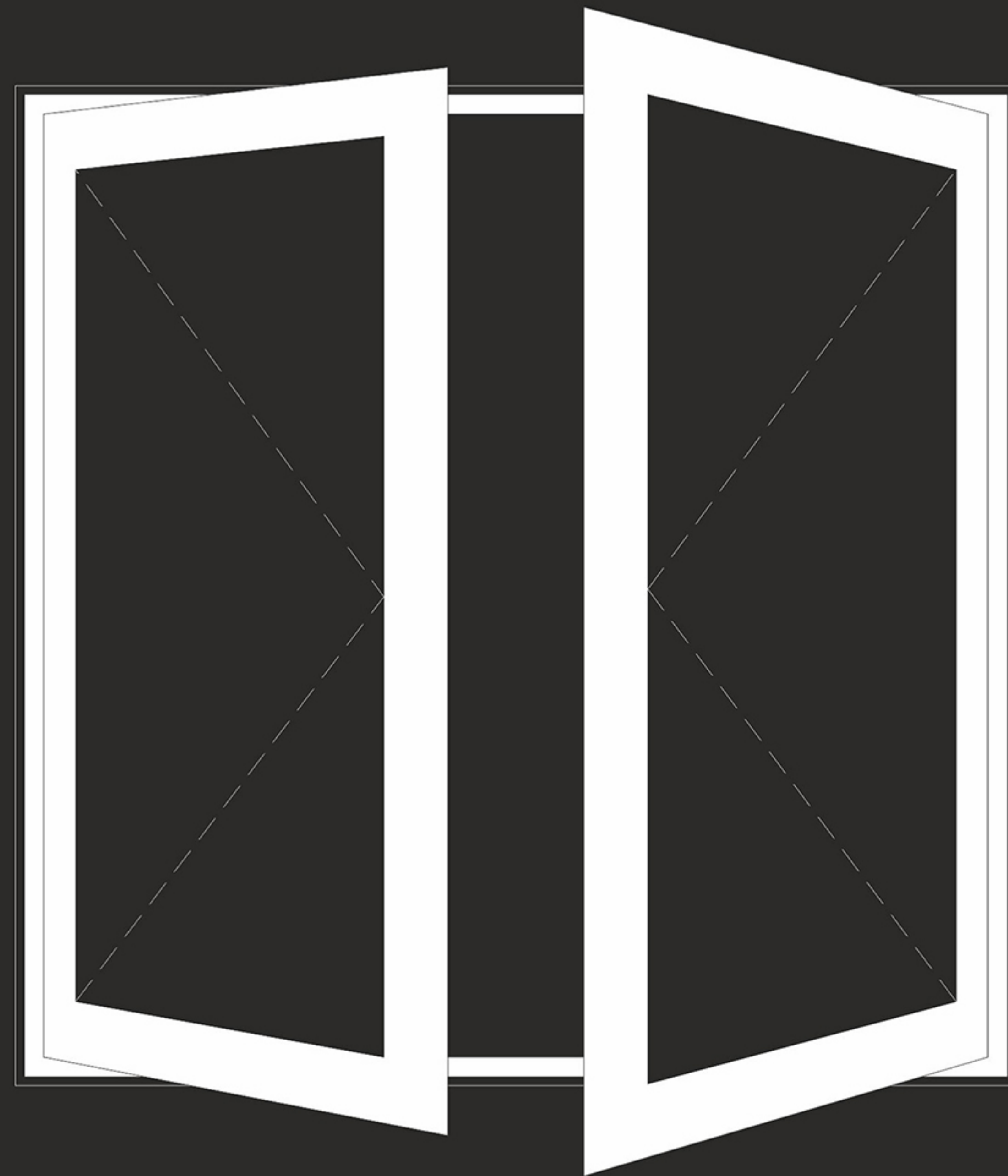


TECHNICAL CHARACTERISTICS

| | |
|----------------------------------|---|
| Window Height (Max) | 4000mm |
| Sash Height & Width | 101mm x 51mm |
| Interlocking Visible Face Width | |
| - Slim Interlock | 49mm |
| - Non Slim Interlock | 101mm |
| Track Option & Depth | |
| - 2 Track Depth & Visible Height | 129mm x 51mm |
| Corner Joint | |
| - Track Joint | 45 Degree |
| - Non Slim Sash Joint | 45 Degree |
| - Slim Interlock Joint | 90 Degree |
| Glass Range | |
| - Glass Sash with Clip | 8mm to 40mm |
| Roller Weight Capacity (2 Pcs.) | |
| - Double Roller | 200kg - 400kg |
| Roller Weight Capacity (2 Pcs.) | |
| - Lift & SlideLocking | Multipoint |
| - BT Lock Locking | Multipoint (Top & Bottom Track Locking) |



CASEMENT SYSTEMS



CARDINAL CASEMENT

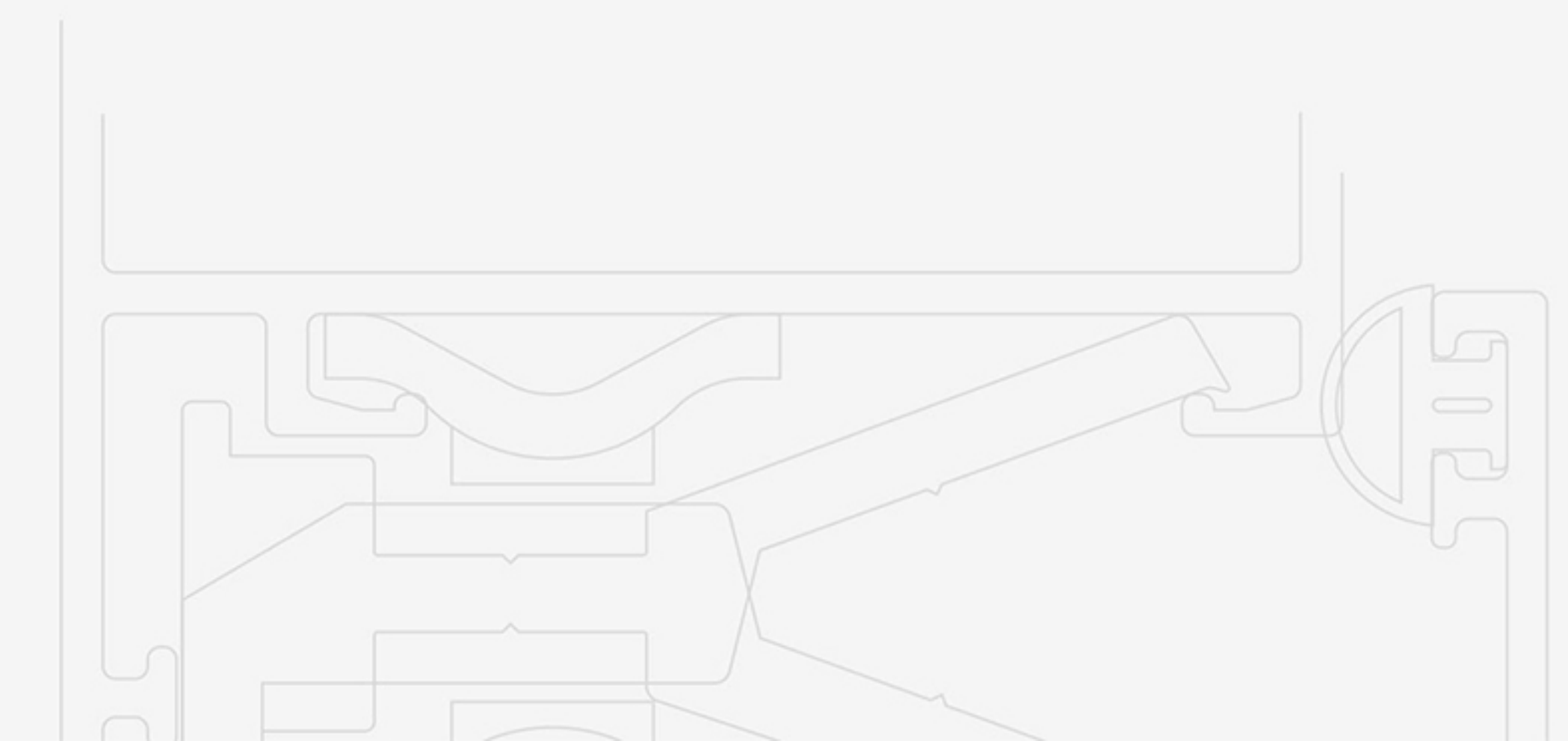
CS.30 CS.40 CS.50
CTT.50 - Tilt & Turn

CARDINAL OPULENCE CASEMENT

COC.40
COT.40 - Tilt & Turn

CARDINAL EXCELLENCE CASEMENT

CES.50
CET.50 - Tilt & Turn
CEP50 - Tilt & Turn Parallel Opening



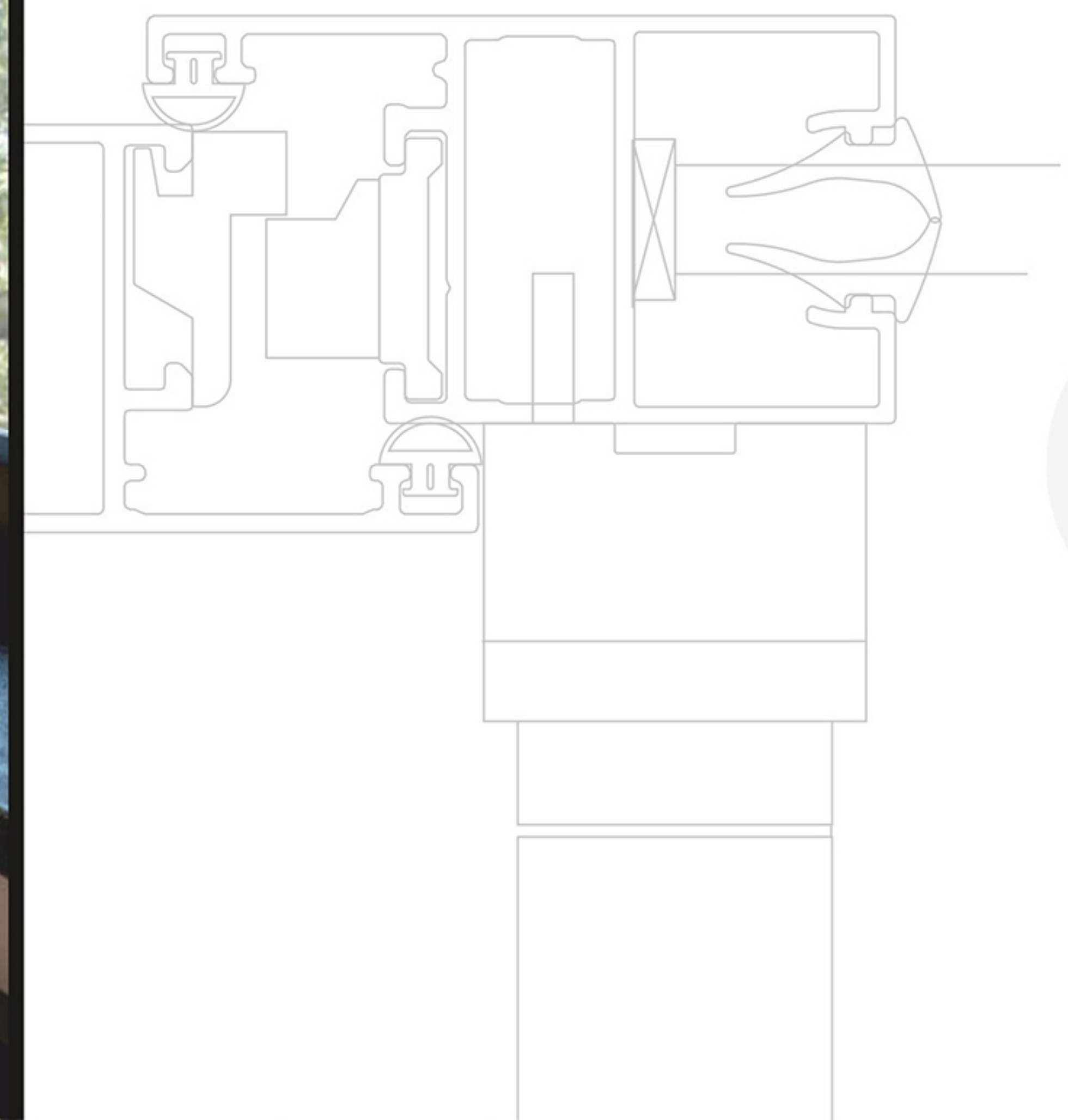
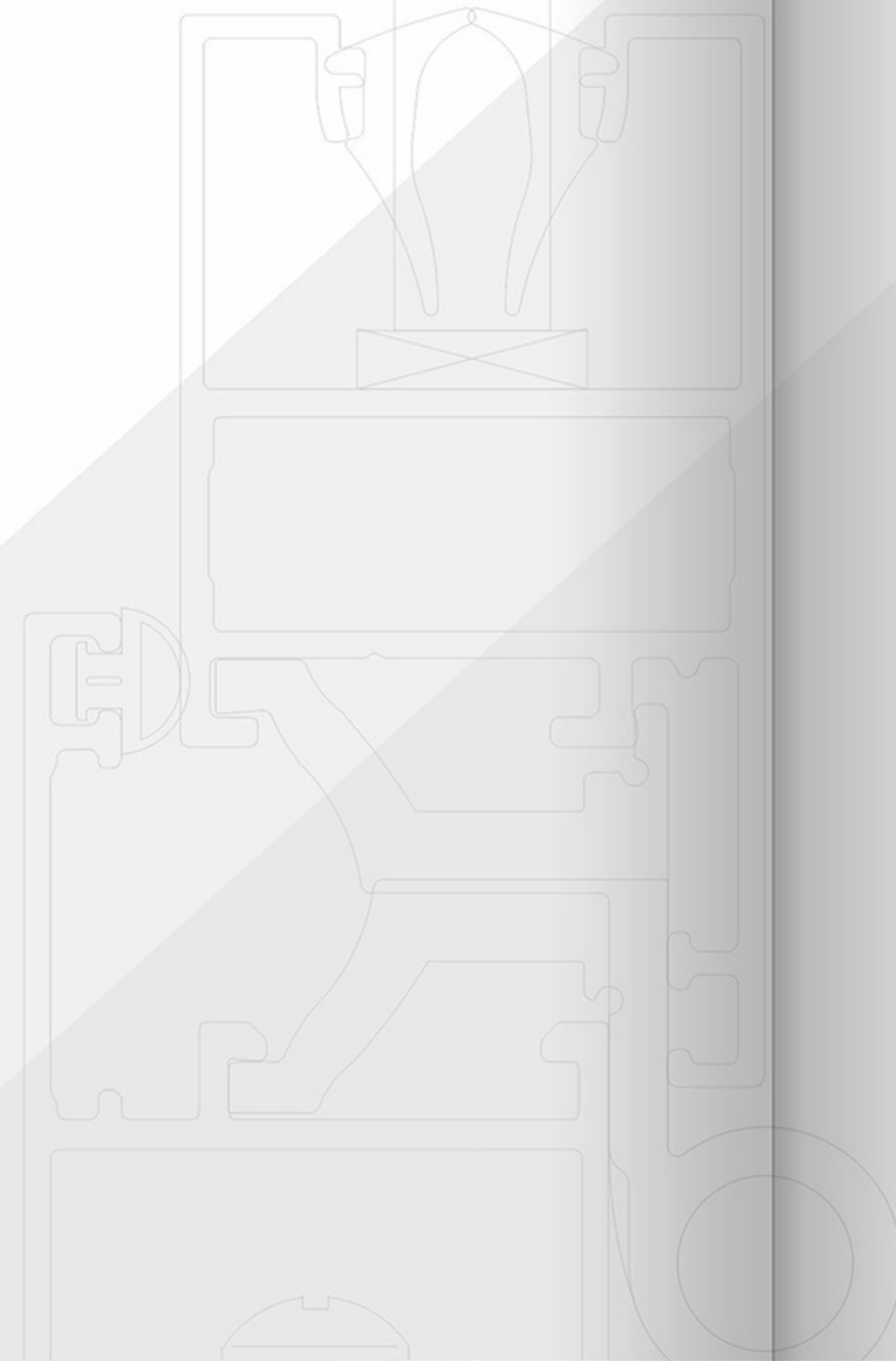
CC.30

30mm Casement Ratnshree



TECHNICAL CHARACTERISTICS

| | |
|---------------------------------|--------------------------------------|
| Window Height (Max) | 1530mm |
| Frame Depth Options | 30mm |
| Visible Face Height | |
| - Frame Visible Face | 45mm |
| - Middle Frame Visible Face | 67mm |
| - Openable Sight Line | 75.8mm |
| - Fix Sight Line | 45mm |
| Sealing Overlap | 6mm Sealing with Gasket |
| Corner Joint | |
| - Frame Joint | 45 Degree |
| - Sash Joint | 45 Degree |
| Glass Range | 4mm - 6mm |
| Hinge Options | |
| - Stainless Steel Friction Stay | Up to 30kg |
| - Aluminium Hinge | Up to 90kg |
| Locking Type | Single & Multipoint Lock with Handle |



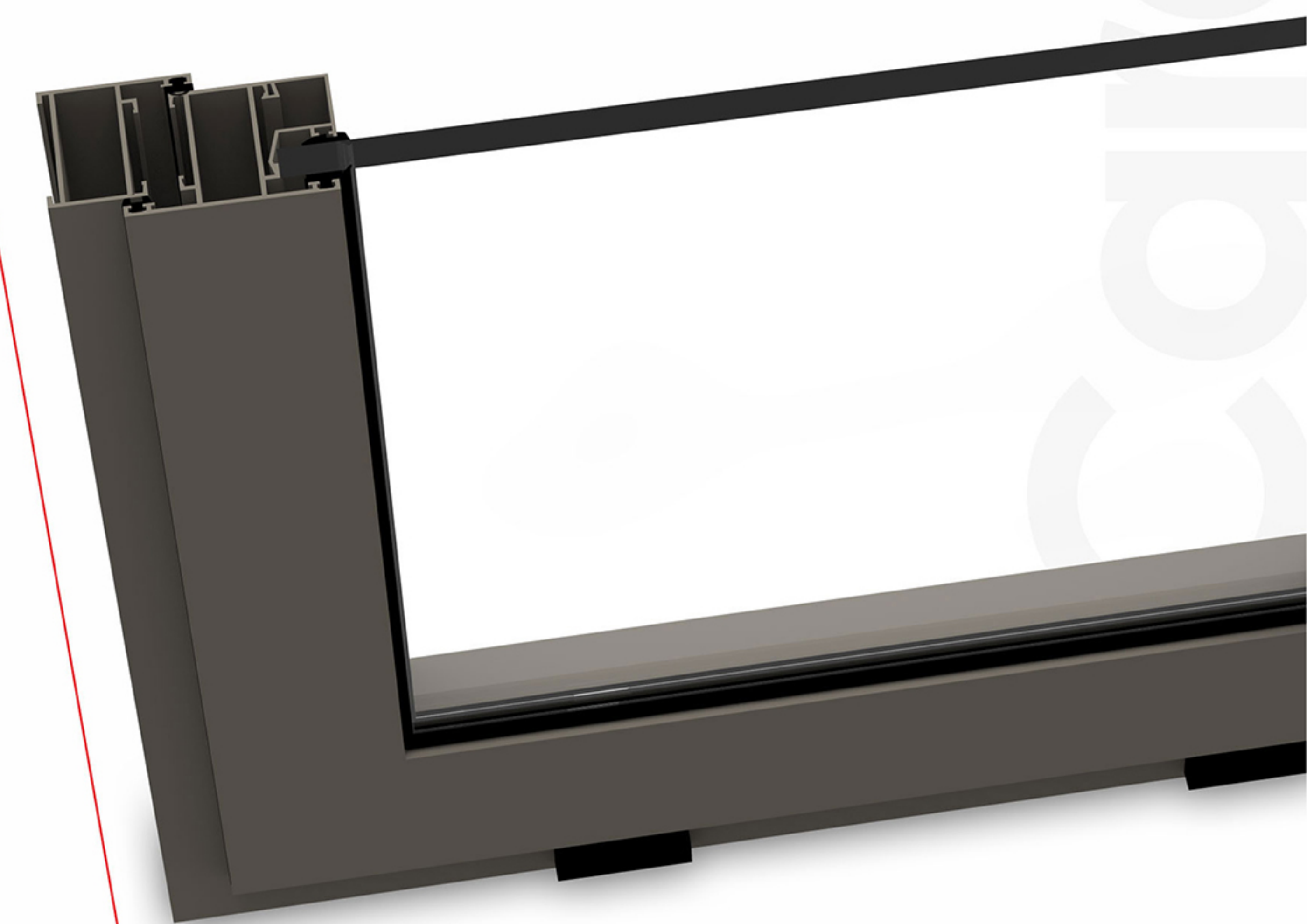
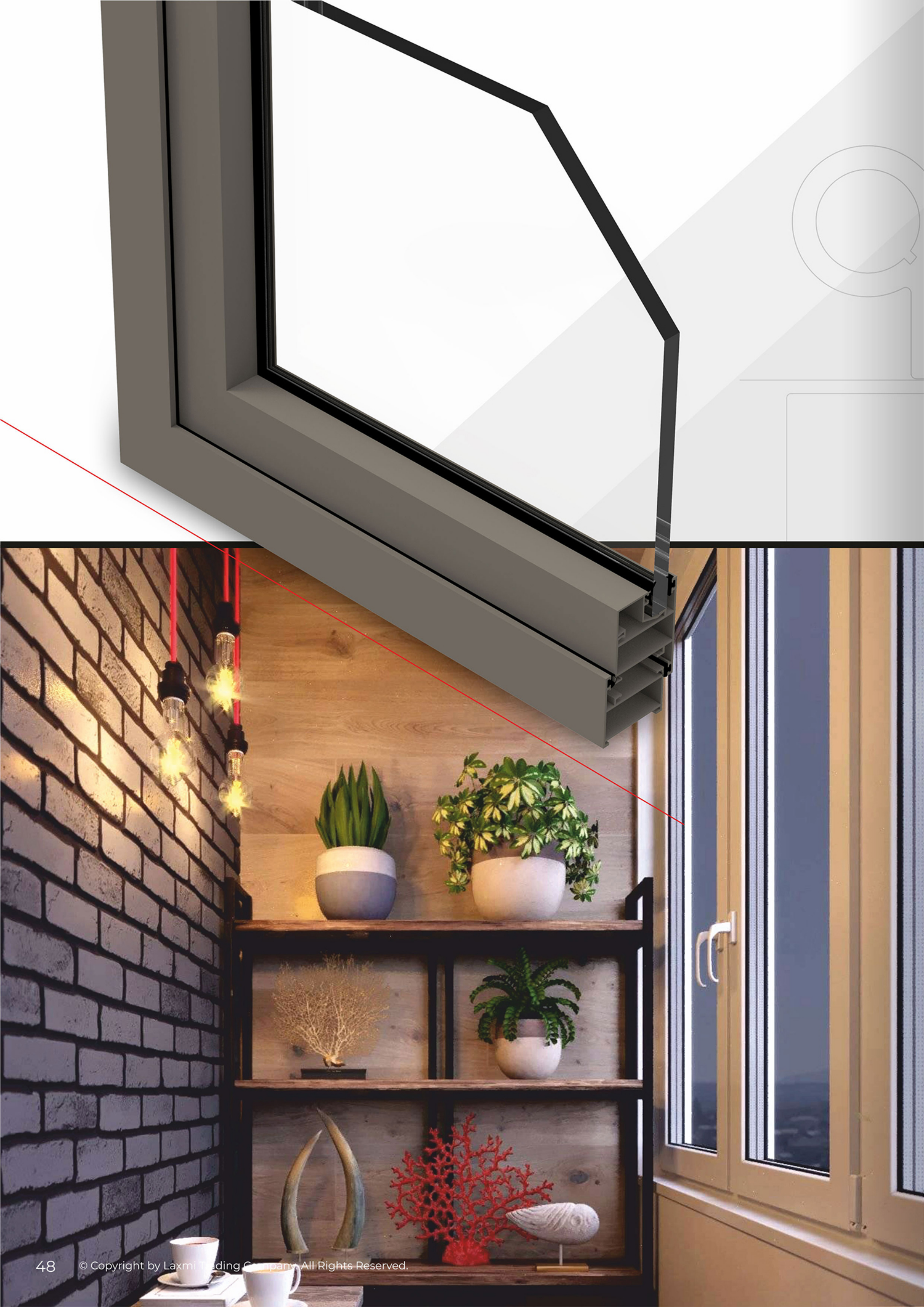
CC.40

40mm Casement Eco



TECHNICAL CHARACTERISTICS

| | |
|---------------------------------|--------------------------------------|
| Window Height (Max) | |
| Frame Depth Options | 40 / 70 / 75 / 80 / 90 / 116mm |
| Visible Face Height | |
| - Frame Visible Face | 39mm |
| - Middle Frame Visible Face | 54mm / 62mm / 70mm |
| - Openable Sight Line | 72.3mm |
| - Fix Sight Line | 39mm |
| Sealing Overlap | 6mm Sealing with Gasket |
| Corner Joint | |
| - Frame Joint | 45 Degree |
| - Sash Joint | 45 Degree |
| Glass Range | 5mm - 28mm |
| Hinge Options | |
| - Stainless Steel Friction Stay | Up to 30kg |
| - Aluminium Hinge | Up to 90kg |
| Locking Type | Single & Multipoint Lock with Handle |



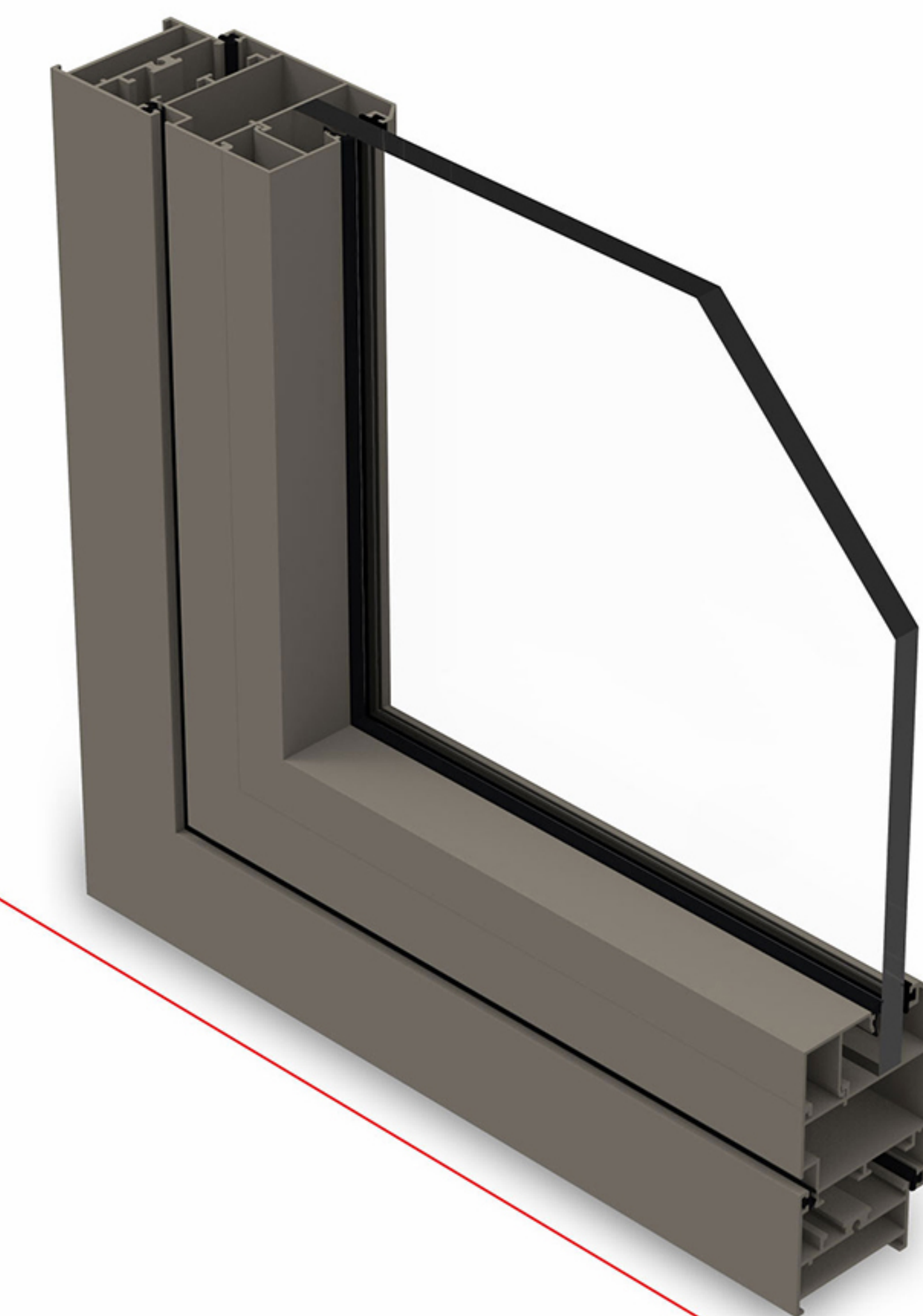
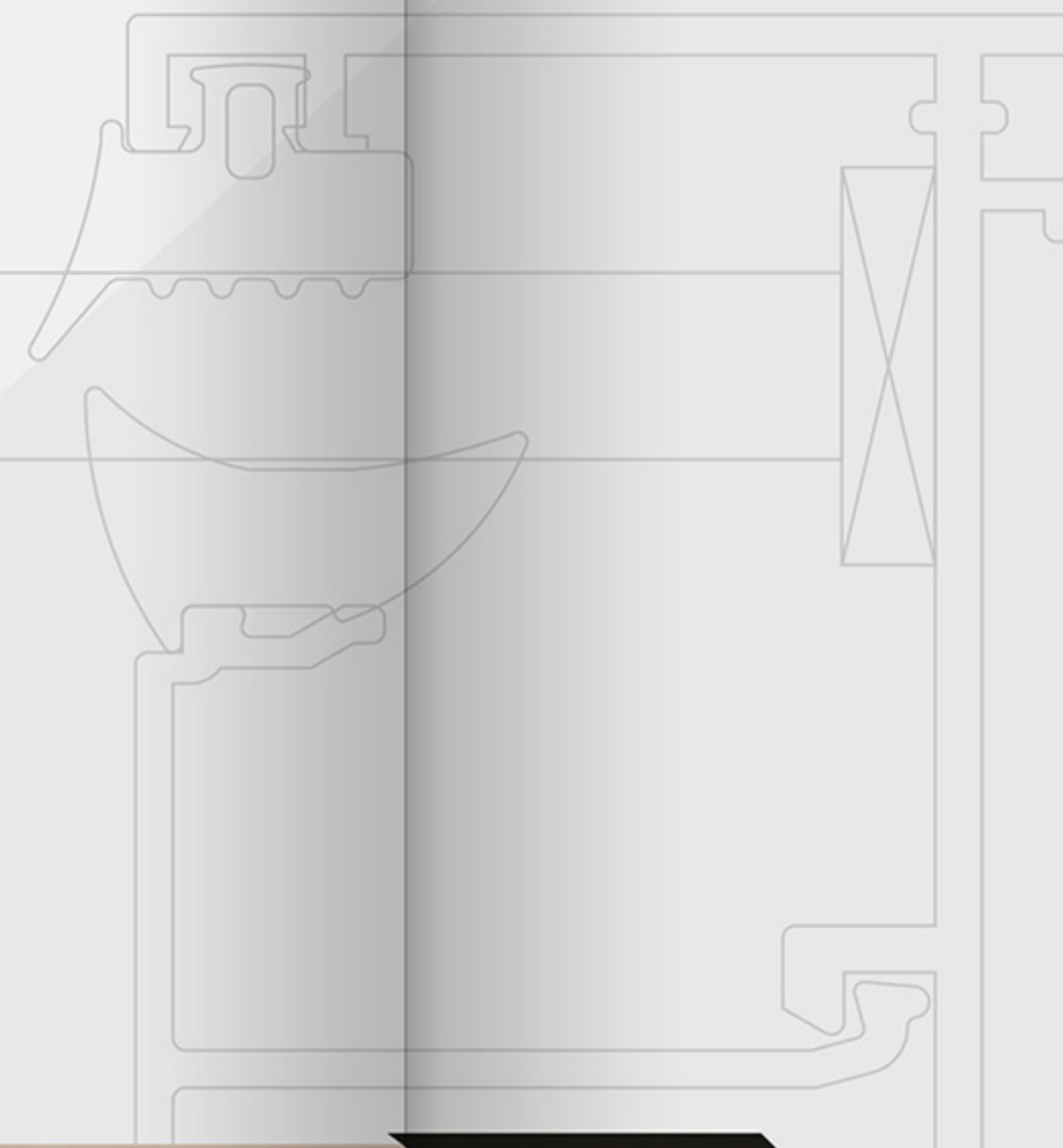
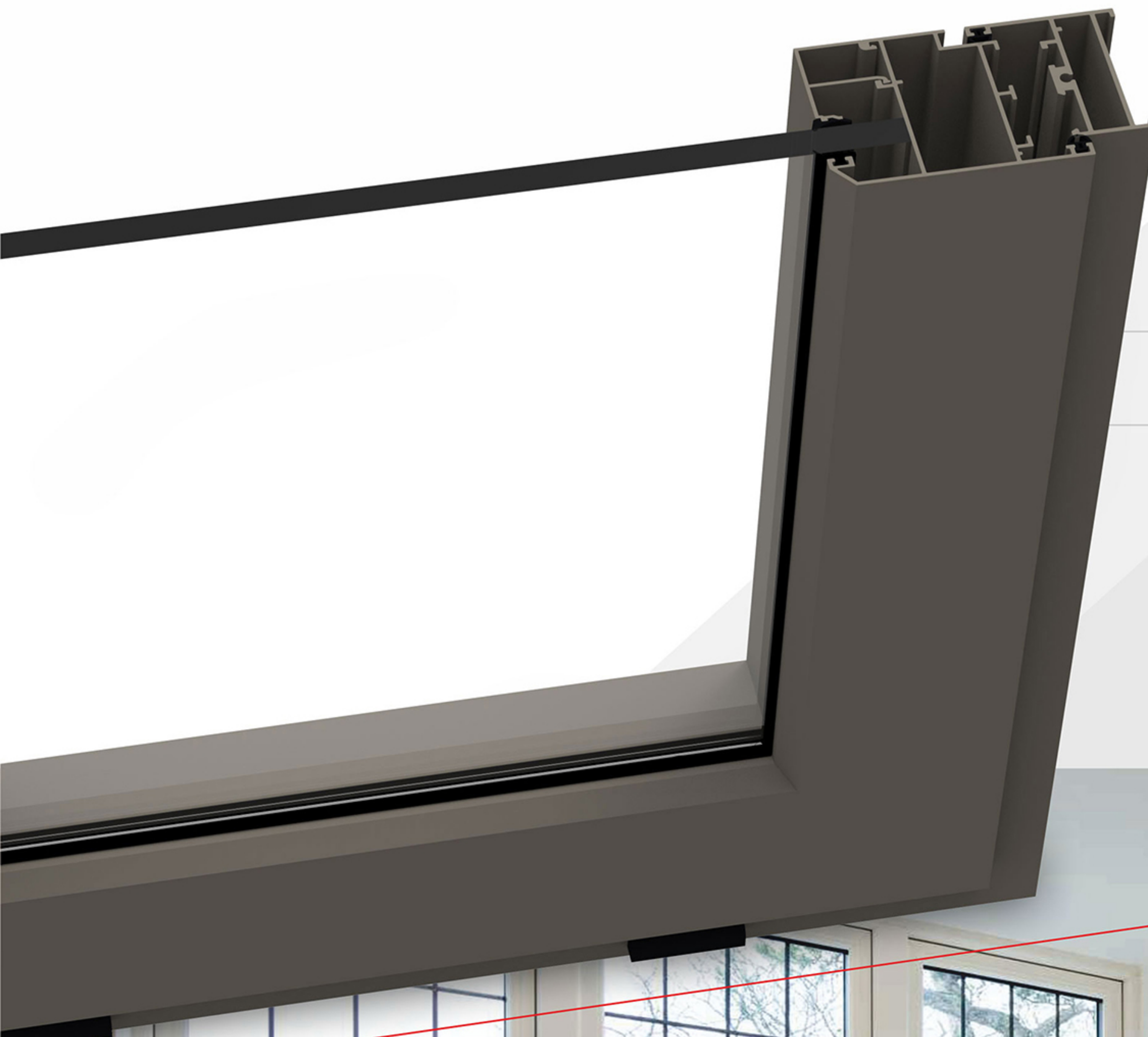
CC.50

50mm Casement Euro



TECHNICAL CHARACTERISTICS

| | |
|---------------------------------|--------------------------------------|
| Window Height (Max) | 2100mm |
| Frame Depth Options | 50mm |
| Visible Face Height | |
| - Frame Visible Face | 46mm |
| - Middle Frame Visible Face | 66mm |
| - Openable Sight Line | 97.5mm |
| - Fix Sight Line | 46mm |
| Sealing Overlap | 6mm Sealing with Gasket |
| Corner Joint | |
| - Frame Joint | 45 Degree |
| - Sash Joint | 45 Degree |
| Glass Range | 5mm - 38mm |
| Hinge Options | |
| - Stainless Steel Friction Stay | Up to 30kg |
| - Aluminium Hinge | Up to 200kg |
| Locking Type | Single & Multipoint Lock with Handle |



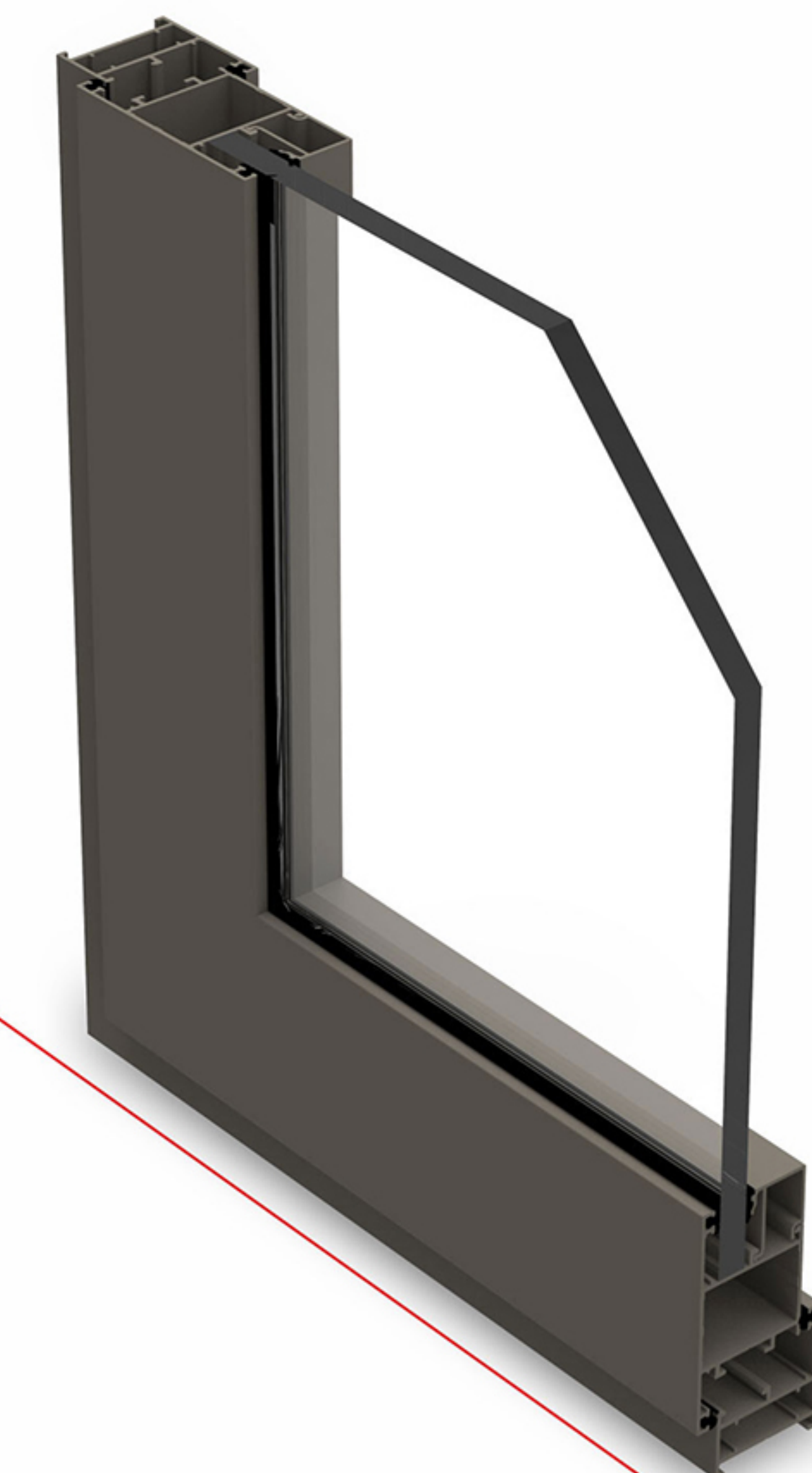
COC.40

40mm Opulence Casement Euro



TECHNICAL CHARACTERISTICS

| | |
|---------------------------------|--------------------------------------|
| Window Height (Max) | 1850mm |
| Frame Depth Options | 40mm |
| Visible Face Height | |
| - Frame Visible Face | 72.7mm |
| - Middle Frame Visible Face | 125.8mm / 66.9mm |
| - Openable Sight Line | 91mm |
| - Fix Sight Line | 45mm |
| Sealing Overlap | 6mm Sealing with Gasket |
| Corner Joint | |
| - Frame Joint | 45 Degree |
| - Sash Joint | 45 Degree |
| Glass Range | 5mm - 24mm |
| Hinge Options | |
| - Stainless Steel Friction Stay | Up to 30kg |
| - Aluminium Hinge | Up to 200kg |
| Locking Type | Single & Multipoint Lock with Handle |



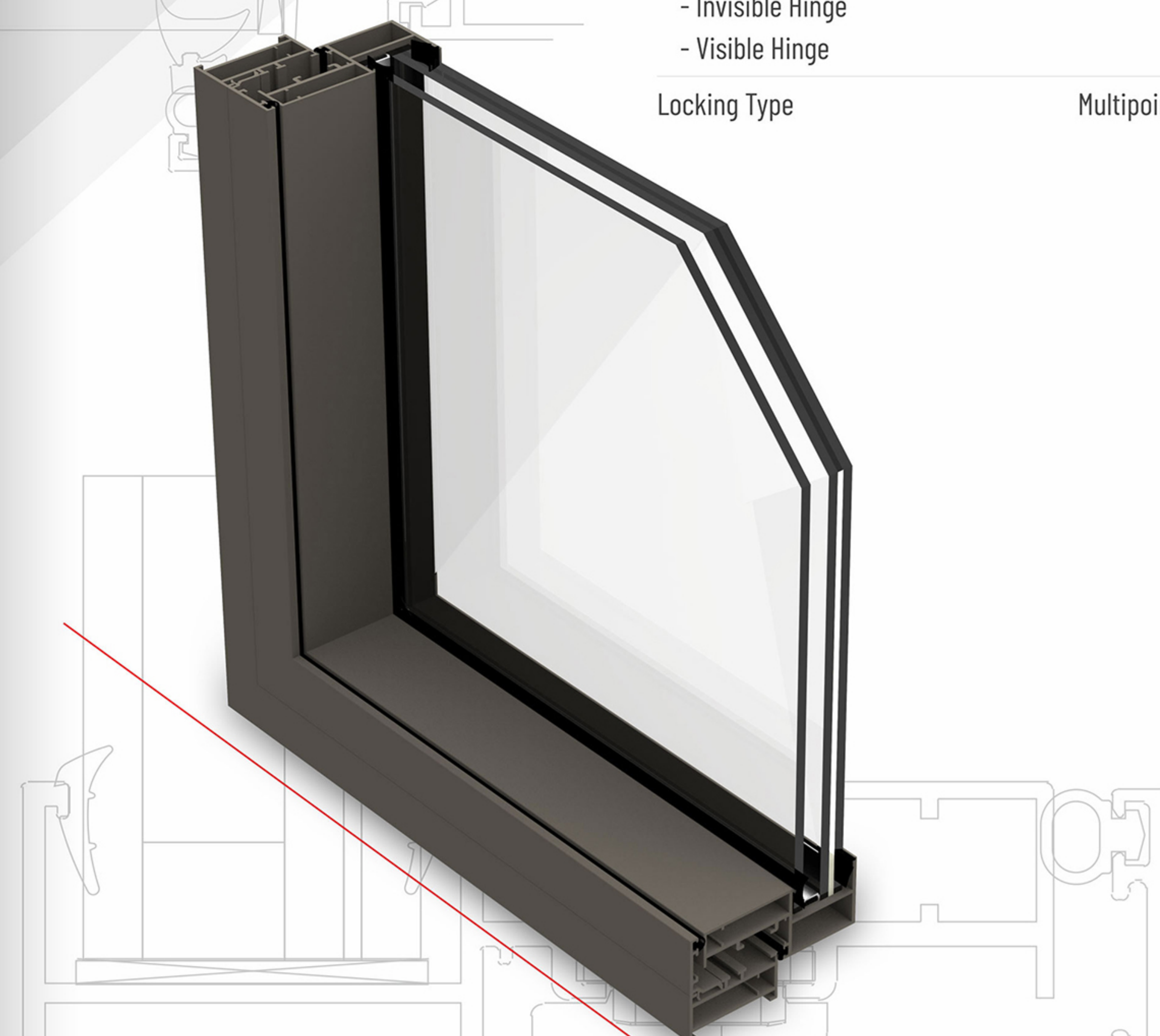
CEC.50

50mm Excellence Casement Slim



TECHNICAL CHARACTERISTICS

| | |
|--------------------------|-----------------------------|
| Window Height (Max) | 2100mm |
| Window Width (Min / Max) | 600mm / 800mm |
| Frame Depth Options | 50mm |
| Visible Face Height | |
| - Frame Visible Face | 59mm & 71mm |
| - Openable Sight Line | 59mm & 71mm |
| - Fix Sight Line | 59mm & 71mm |
| Sealing Overlap | 6mm Sealing with Gasket |
| Corner Joint | |
| - Frame Joint | 45 Degree |
| - Sash Joint | 45 Degree |
| Glass Range | 4mm-13.5mm & 22-24mm |
| Hinge Options | |
| - Invisible Hinge | 90kg |
| - Visible Hinge | Up to 200kg |
| Locking Type | Multipoint Lock with Handle |



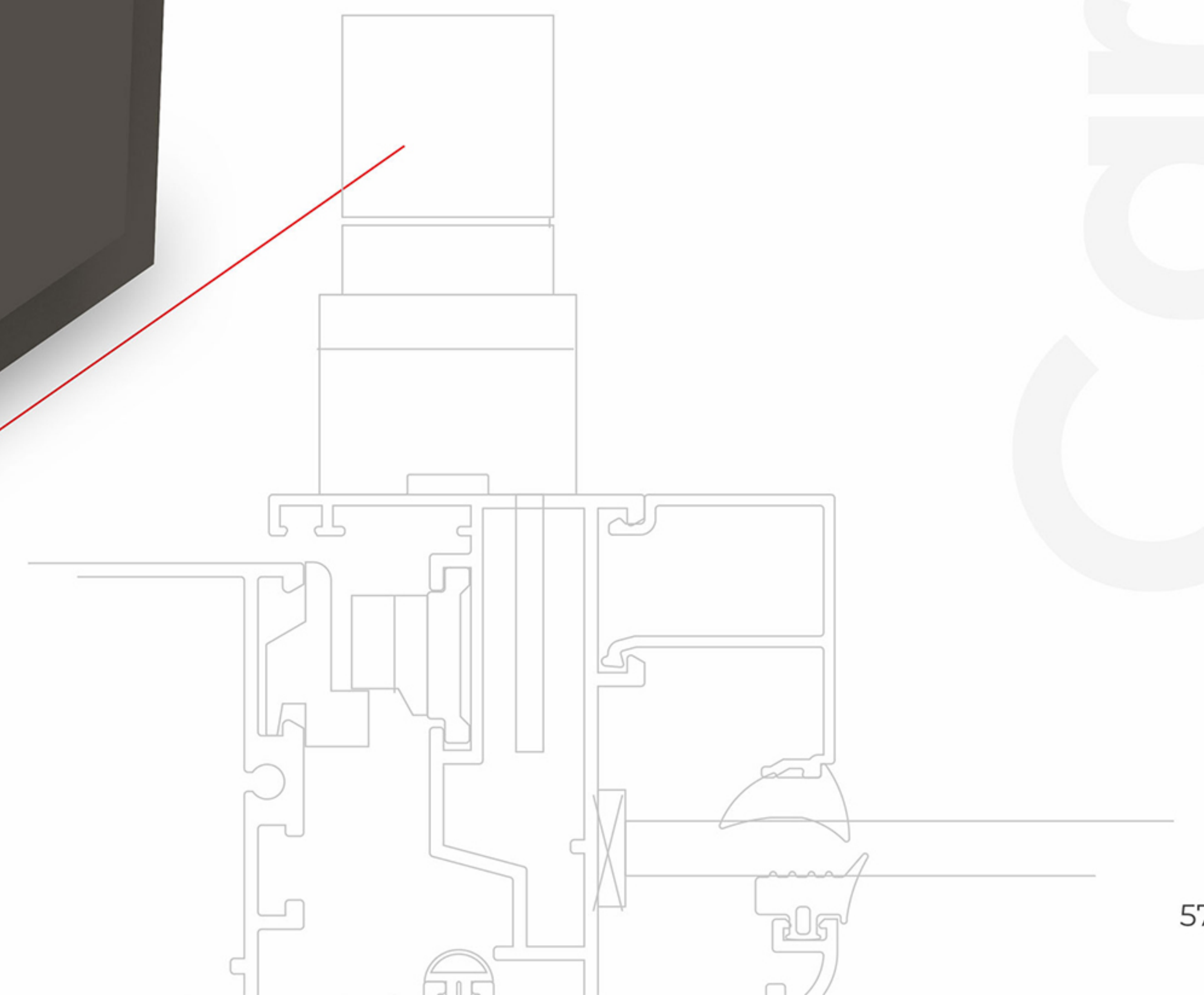
CTT.50

50mm Tilt & Turn System



TECHNICAL CHARACTERISTICS

| | |
|-----------------------|-----------------------------|
| Window Height (Max) | 2100mm |
| Frame Depth Options | 50mm |
| Visible Face Height | |
| - Frame Visible Face | 46mm & 72mm |
| - Openable Sight Line | 81mm & 116mm |
| - Fix Sight Line | 46mm & 72mm |
| Sealing Overlap | 6mm Sealing with Gasket |
| Corner Joint | |
| - Frame Joint | 45 Degree |
| - Sash Joint | 45 Degree |
| Glass Range | 4mm - 38mm |
| Hinge Options | |
| - Invisible Hinge | 90kg |
| - Visible Hinge | Up to 200kg |
| Locking Type | Multipoint Lock with Handle |



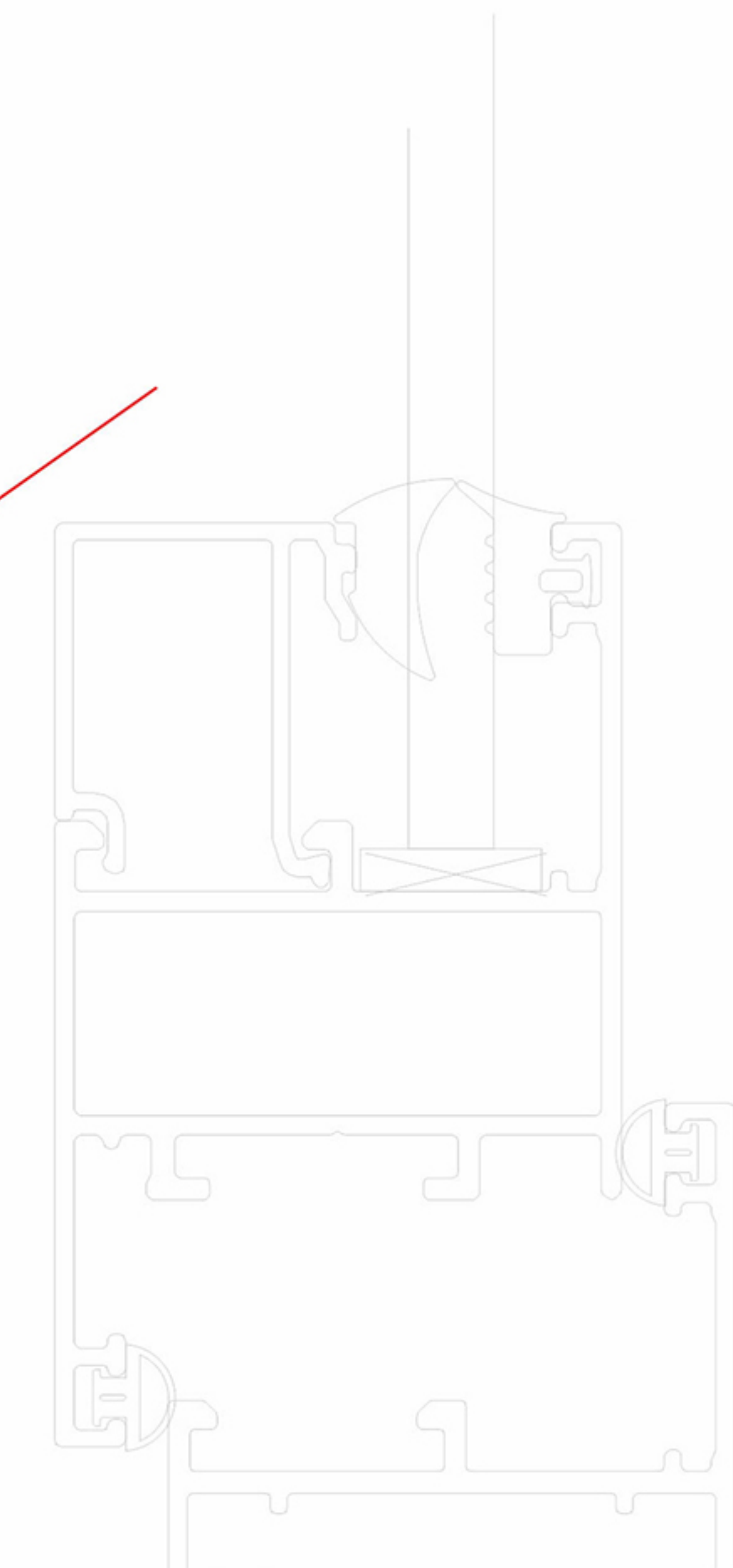
COT.40

40mm Tilt & Turn System



TECHNICAL CHARACTERISTICS

| | |
|-----------------------|-----------------------------|
| Window Height (Max) | 1800mm |
| Frame Depth Options | 40mm |
| Visible Face Height | |
| - Frame Visible Face | 45mm |
| - Openable Sight Line | 81mm |
| - Fix Sight Line | 45mm |
| Sealing Overlap | 6mm Sealing with Gasket |
| Corner Joint | |
| - Frame Joint | 45 Degree |
| - Sash Joint | 45 Degree |
| Glass Range | 4mm - 24mm |
| Hinge Options | |
| - Invisible Hinge | 90kg |
| - Visible Hinge | Up to 200kg |
| Locking Type | Multipoint Lock with Handle |



CET.50

50mm Tilt & Turn System



TECHNICAL CHARACTERISTICS

| | |
|--------------------------|-----------------------------|
| Window Height (Max) | 1850mm |
| Window Width (Min / Max) | 600mm / 800mm |
| Frame Depth Options | 50mm |
| Visible Face Height | |
| - Frame Visible Face | 54mm & 71mm |
| - Openable Sight Line | 54mm & 71mm |
| - Fix Sight Line | 54mm & 71mm |
| Sealing Overlap | 6mm Sealing with Gasket |
| Corner Joint | |
| - Frame Joint | 45 Degree |
| - Sash Joint | 45 Degree |
| Glass Range | 4mm - 6mm & 22-24mm |
| Hinge Options | |
| - Invisible Hinge | 90kg |
| - Visible Hinge | Up to 200kg |
| Locking Type | Multipoint Lock with Handle |



CEP.50

50mm Excellence Parallel Opening



TECHNICAL CHARACTERISTICS

| | |
|---------------------------------|-----------------------------|
| Window Height (Max) | 1800mm |
| Window Width (Max) | 1800mm |
| Frame Depth Options | 50mm |
| Visible Face Height | |
| - Frame Visible Face | 59mm |
| - Openable Sight Line | 59mm |
| - Fix Sight Line | 59mm |
| Sealing Overlap | 6mm Sealing with Gasket |
| Corner Joint | |
| - Frame Joint | 45 Degree |
| - Sash Joint | 45 Degree |
| Glass Range | 6mm - 13.5mm |
| Hinge Options | |
| - Invisible Hinge Vent Size Max | Up to 300kg |
| - Invisible Hinge Weight | Up to 180kg |
| Locking Type | Multipoint Lock with Handle |

DOOR SYSTEMS

CARDINAL DOORS

CD.40 CD.50

BIFOLD DOORS

CBD.50 CBD.65

CARDINAL OPULENCE DOORS

COD.40

BIFOLD DOORS

CBD.59 CBD.85

CARDINAL EXCELLENCE DOORS

CED.75

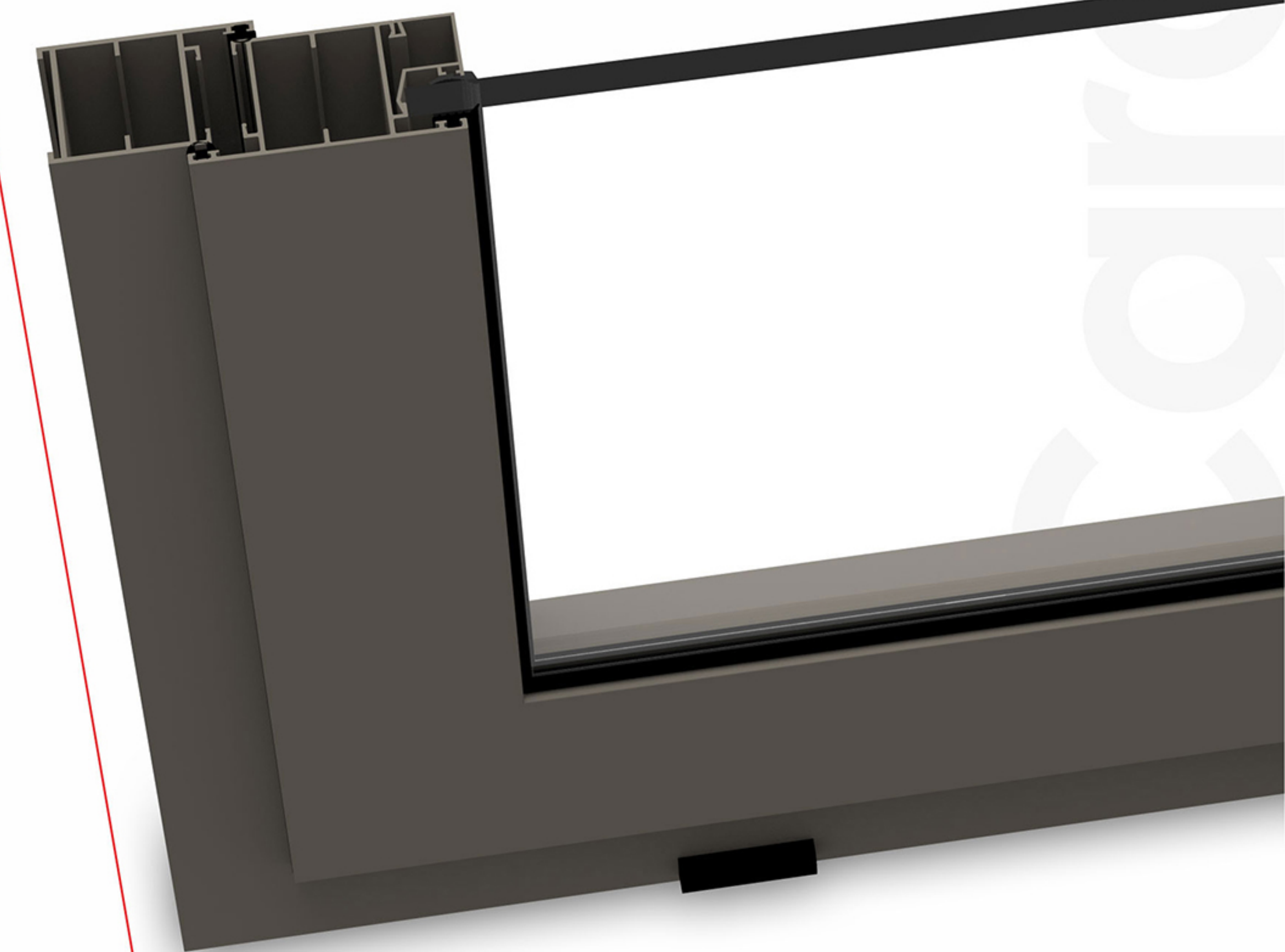
CD.40

40mm Cardinal Door Eco



TECHNICAL CHARACTERISTICS

| | |
|------------------------|-----------------------------|
| Door Height (Max) | 2150mm |
| Door Width (Max) | 800mm |
| Door Weight (Max) Type | 80kg |
| Shutter Depth | 40mm |
| Visible Face | |
| - Shutter Face | 70mm |
| - Frame Face | 55mm |
| - Openable Sight Line | 105mm |
| Sealing Overlap | 6mm Sealing with Gasket |
| Corner Joint | |
| - Frame Joint | 45 Degree |
| - Sash Joint | 45 Degree |
| Glass Range | 5mm - 24mm |
| Locking Type | Single & Multipoint Locking |



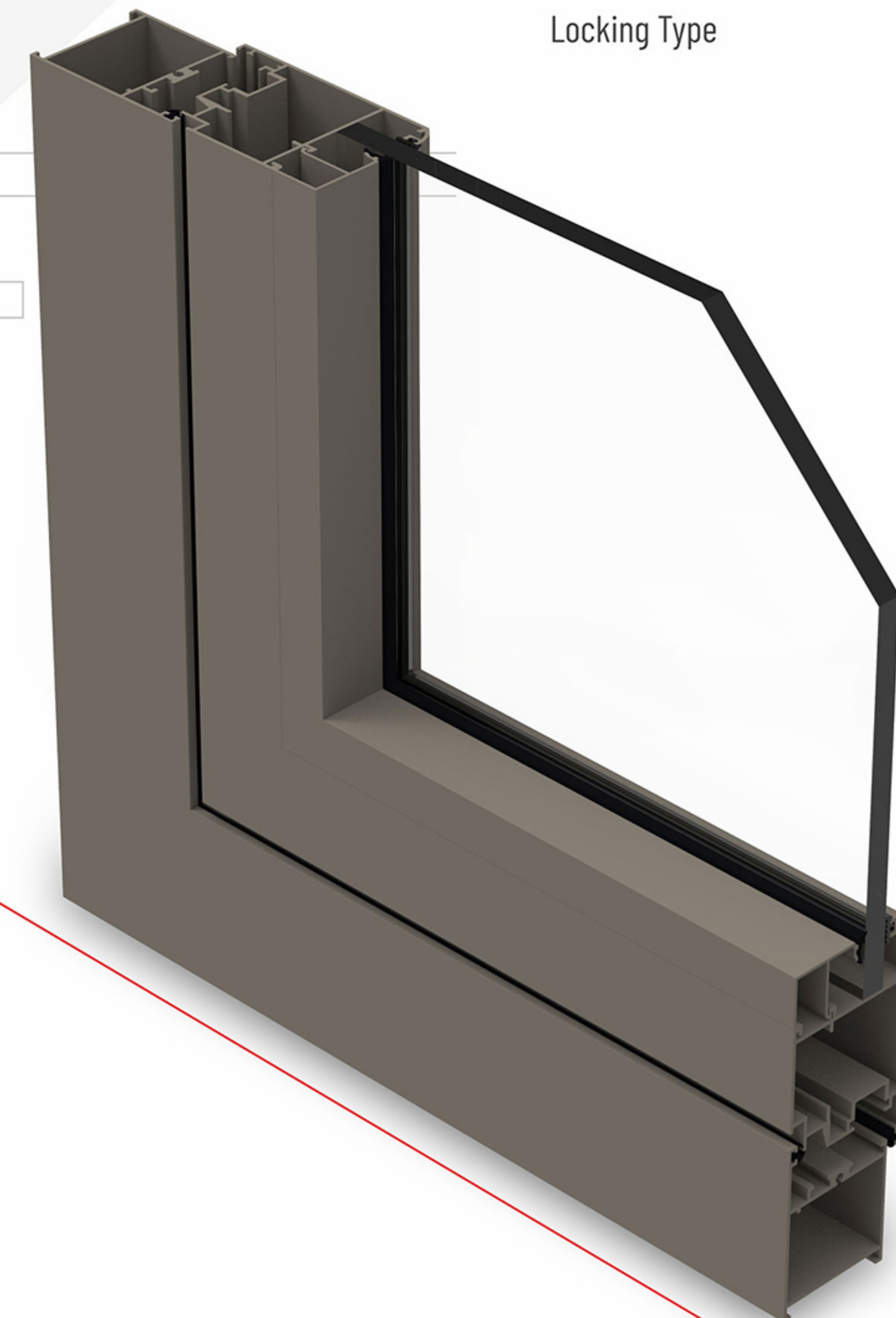
CD.50

50mm Cardinal Door Euro



TECHNICAL CHARACTERISTICS

| | |
|------------------------|-----------------------------|
| Door Height (Max) | 3000mm |
| Door Width (Max) | 1000mm |
| Door Weight (Max) Type | 200kg |
| Shutter Depth | 58mm |
| Visible Face | |
| - Shutter Face | 95mm |
| - Frame Face | 73mm |
| - Openable Sight Line | 142mm |
| Sealing Overlap | 6mm Sealing with Gasket |
| Corner Joint | |
| - Frame Joint | 45 Degree |
| - Sash Joint | 45 Degree |
| Glass Range | 5mm - 28mm |
| Locking Type | Single & Multipoint Locking |



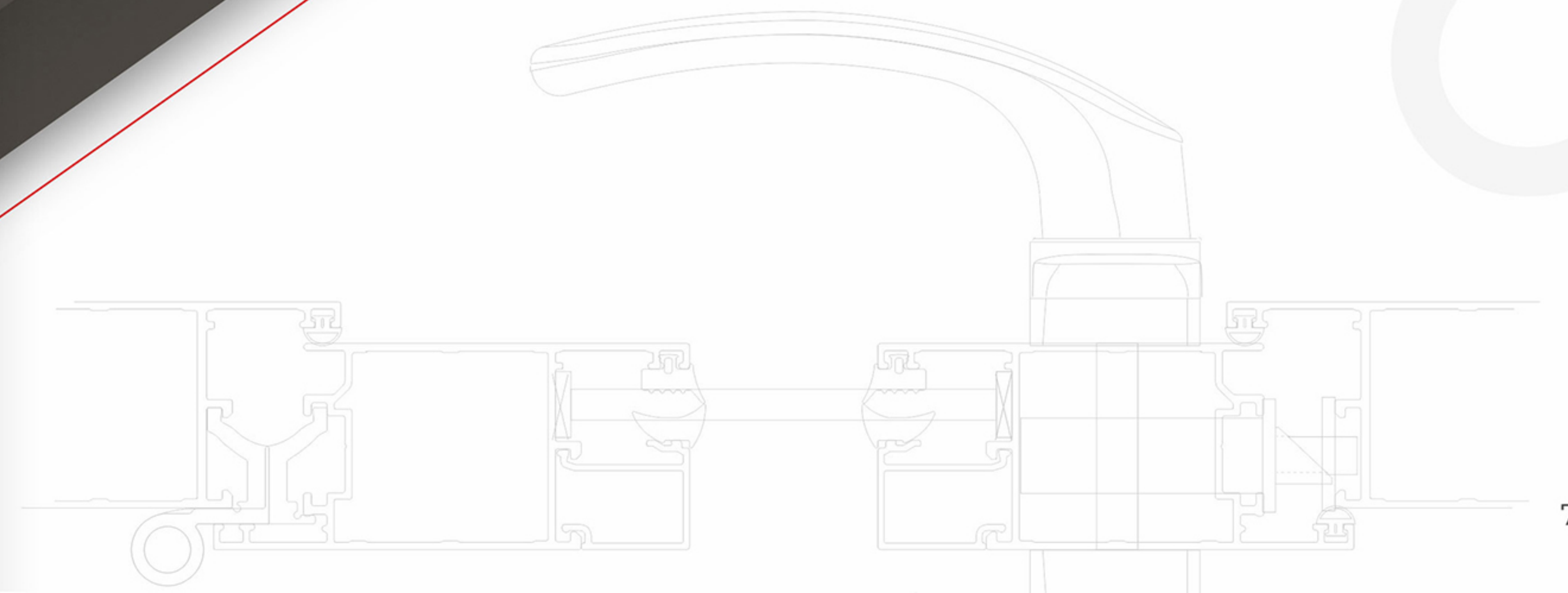
COD.40

40mm Opulence Door Euro



TECHNICAL CHARACTERISTICS

| | |
|------------------------|-----------------------------|
| Door Height (Max) | 2440mm |
| Door Width (Max) | 1000mm |
| Door Weight (Max) Type | 120kg |
| Shutter Depth | 40mm |
| Visible Face | |
| - Shutter Face | 92mm |
| - Frame Face | 72.7mm |
| - Openable Sight Line | 137mm |
| Sealing Overlap | 6mm Sealing with Gasket |
| Corner Joint | |
| - Frame Joint | 45 Degree |
| - Sash Joint | 45 Degree |
| Glass Range | 5mm - 24mm |
| Locking Type | Single & Multipoint Locking |



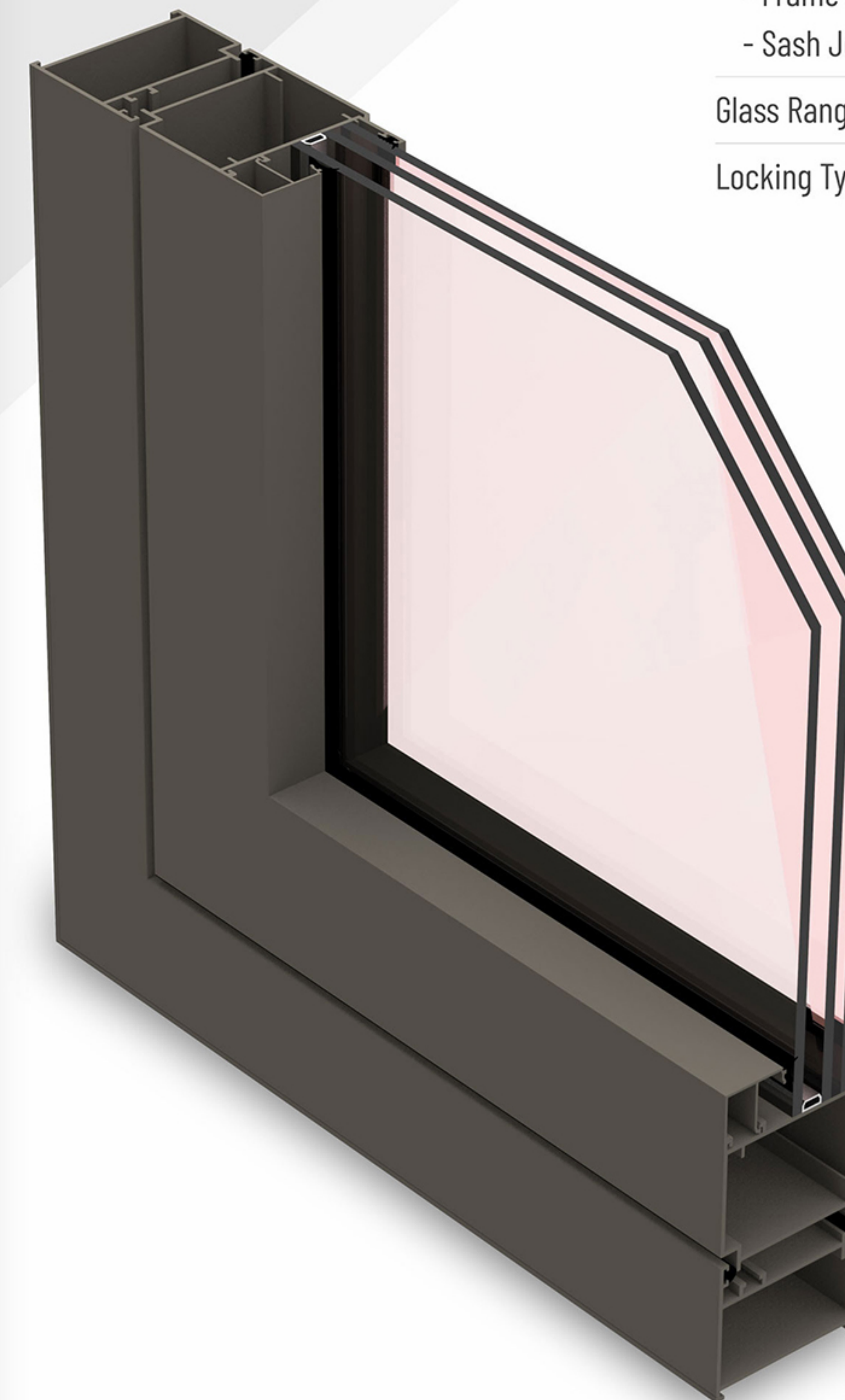
CED.75

75mm Excellence Door



TECHNICAL CHARACTERISTICS

| | |
|------------------------|---------------------------------|
| Door Height (Max) | 3650mm |
| Door Width (Max) | 1200mm |
| Door Weight (Max) Type | 300kg |
| Shutter Depth | 75mm |
| Visible Face | |
| - Shutter Face | 100mm |
| - Frame Face | 73mm |
| - Openable Sight Line | 142mm |
| Sealing Overlap | 6mm Sealing with Gasket |
| Corner Joint | |
| - Frame Joint | 45 Degree |
| - Sash Joint | 45 Degree / 90 Degree in Bottom |
| Glass Range | 8mm - 48mm |
| Locking Type | Multipoint Locking |



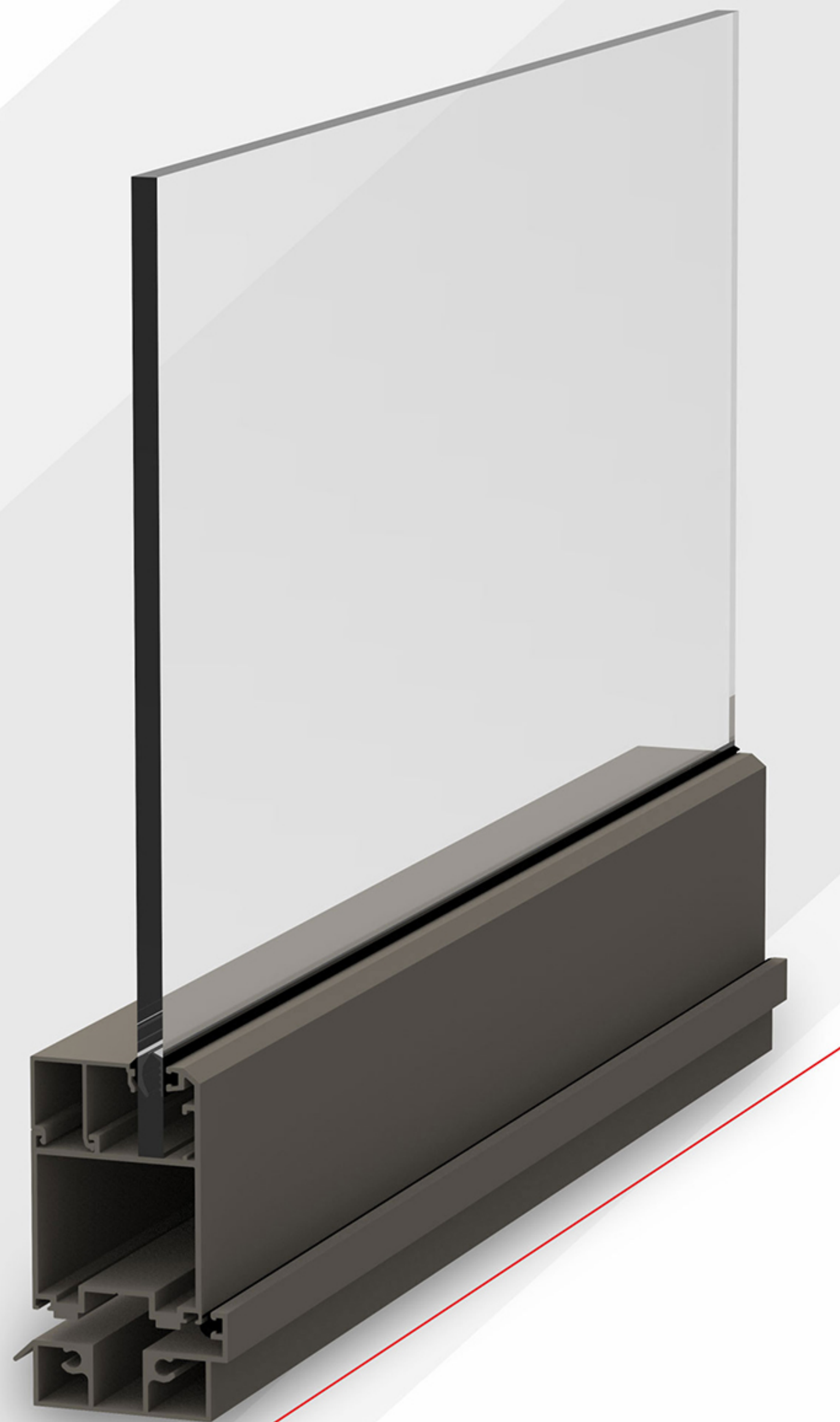
CBD.50

50mm Bifold Door



TECHNICAL CHARACTERISTICS

| | | | |
|-----------------------------|--------|------------------------|---------------------|
| Door Height (Max) | 2500mm | Corner Joint | |
| Door Width (Max) | 800mm | - Frame Joint | 90 Degree |
| Door Weight (Max) Type | 60kg | - Sash Joint | 45 Degree |
| Shutter Depth | 50mm | Glass Range | 5mm - 28mm |
| Visible Face | | Locking Type | Single & Multipoint |
| - Top Frame Visible Face | 73mm | Corner Sliding Folding | Available |
| - Side Frame Visible Face | 71mm | | |
| - Bottom Frame Visible Face | 64mm | | |
| - Shutter Section | 74mm | | |
| - Openable Sight Line | 156mm | | |



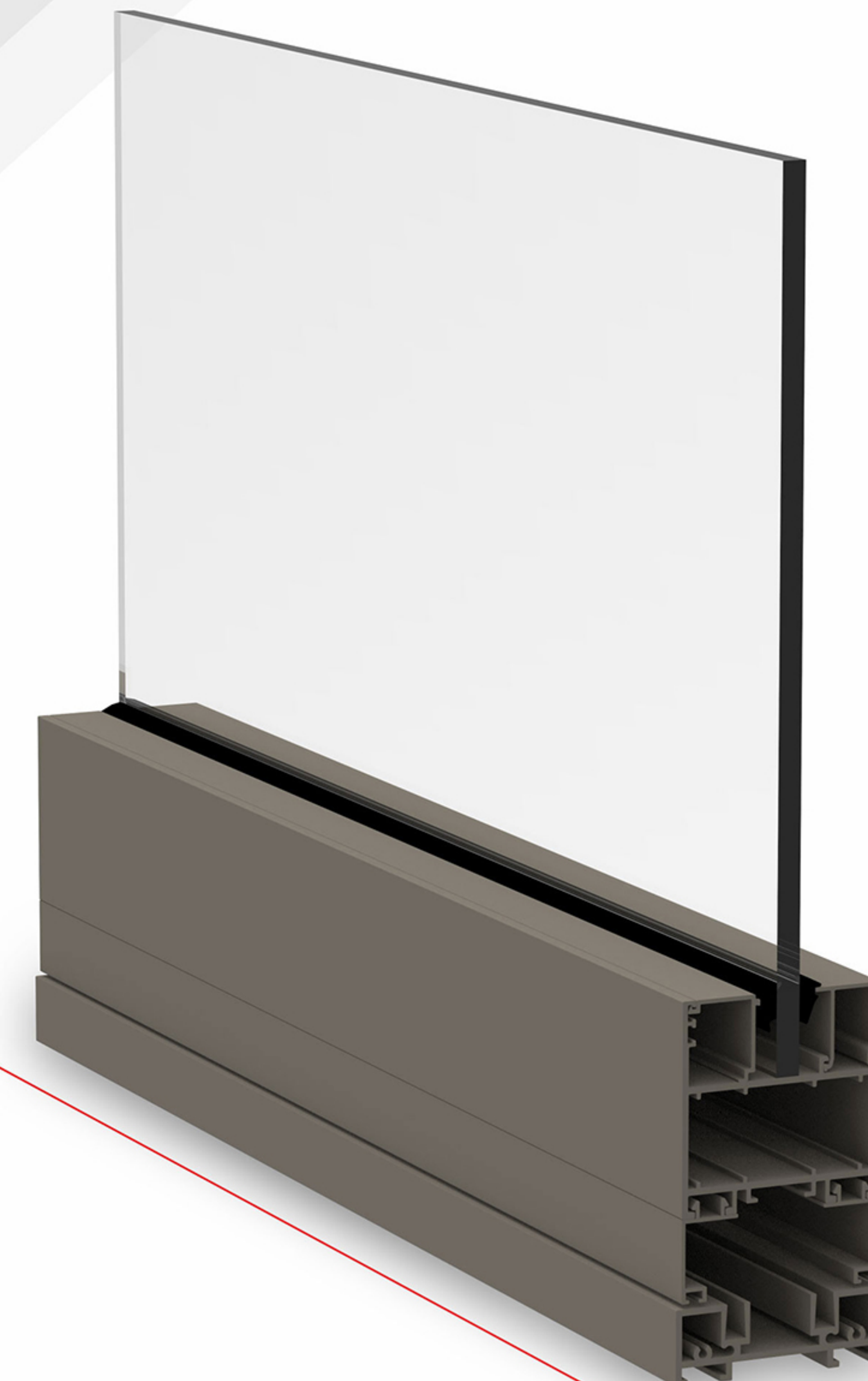
CBD.65

65mm Bifold Door



TECHNICAL CHARACTERISTICS

| | | | |
|---------------------------------|--------|------------------------|---------------------|
| Door Height (Max) | 3100mm | Corner Joint | |
| Door Width (Max) | 1000mm | - Frame Joint | 90 Degree |
| Door Weight (Max) Type | 120kg | - Sash Joint | 45 Degree |
| Shutter Depth | 65mm | Glass Range | 5mm - 41mm |
| Visible Face | | Locking Type | Single & Multipoint |
| - Top & Side Frame Visible Face | 74mm | Corner Sliding Folding | Not Available |
| - Bottom Frame Visible Face | 69mm | | |
| - Shutter Section | 65mm | | |
| - Openable Sight Line | 140mm | | |



CBD.59

59mm Bifold Door



TECHNICAL CHARACTERISTICS

| | |
|-----------------------------|--------|
| Door Height (Max) | 3100mm |
| Door Width (Max) | 1000mm |
| Door Weight (Max) Type | 120kg |
| Shutter Depth | 59mm |
| Visible Face | |
| - Top Frame Visible Face | 66mm |
| - Side Frame Visible Face | 85mm |
| - Bottom Frame Visible Face | 50mm |
| - Shutter Section | 70mm |
| - Openable Sight Line | 155mm |

| | |
|------------------------|--------------------------|
| Corner Joint | |
| - Frame Joint | 90 Degree |
| - Sash Joint | 45 Degree |
| Glass Range | 5mm - 35mm |
| Locking Type | Single & Multipoint Lock |
| Corner Sliding Folding | Available |



CBD.85

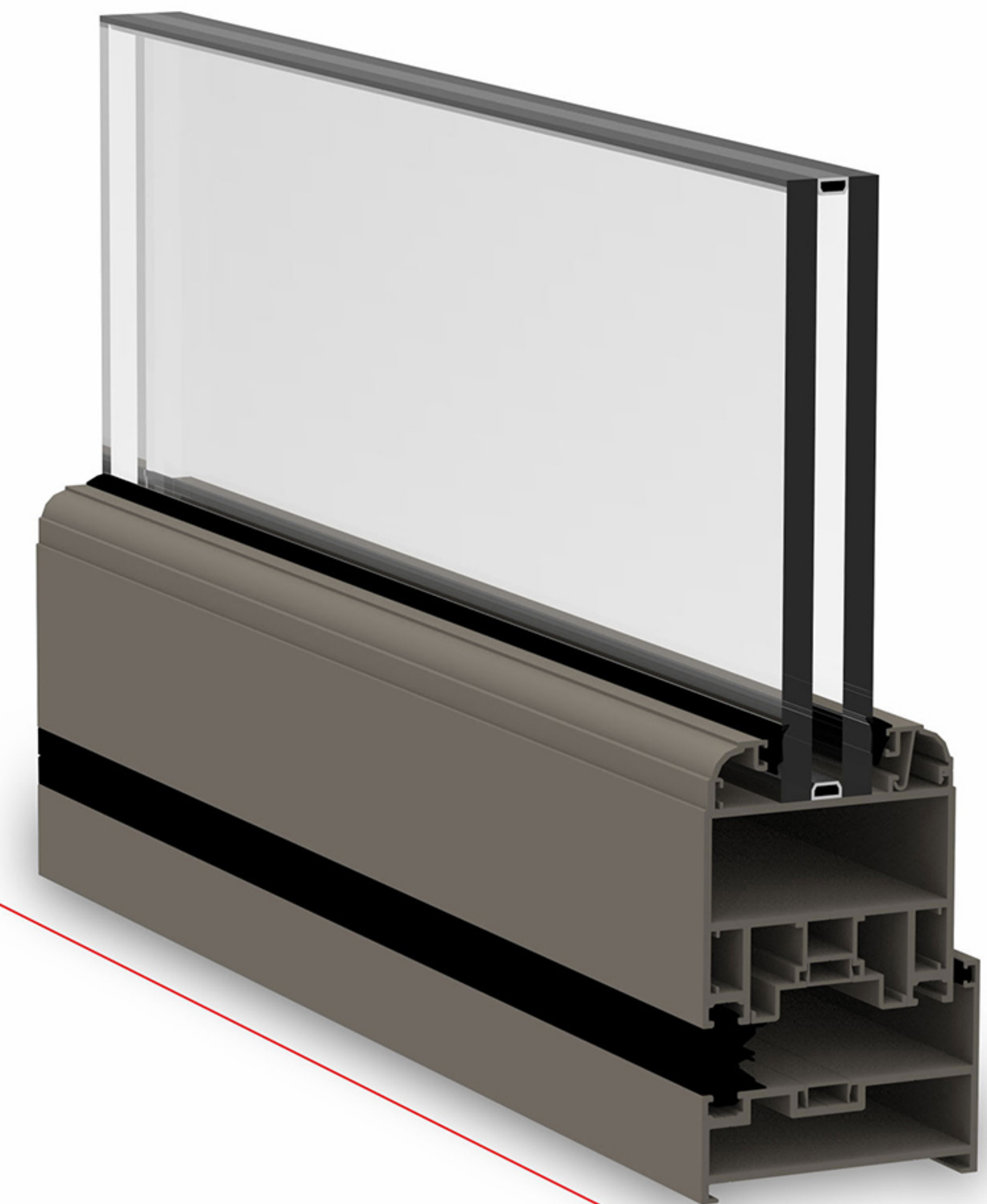
85mm Bifold Door



TECHNICAL CHARACTERISTICS

| | |
|-----------------------------|--------|
| Door Height (Max) | 3600mm |
| Door Width (Max) | 1200mm |
| Door Weight (Max) Type | 200kg |
| Shutter Depth | 85mm |
| Visible Face | |
| - Top Frame Visible Face | 80mm |
| - Side Frame Visible Face | 65mm |
| - Bottom Frame Visible Face | 65mm |
| - Shutter Section | 85mm |
| - Openable Sight Line | 190mm |

| | |
|------------------------|--------------------------|
| Corner Joint | |
| - Frame Joint | 90 Degree |
| - Sash Joint | 45 Degree |
| Glass Range | 8mm - 41mm |
| Locking Type | Single & Multipoint Lock |
| Corner Sliding Folding | Available |



FACADE SYSTEMS

CARDINAL FACADE

CFS.40

CFS.57

CFS.45

CFS.67

Cardinal

CFS.40

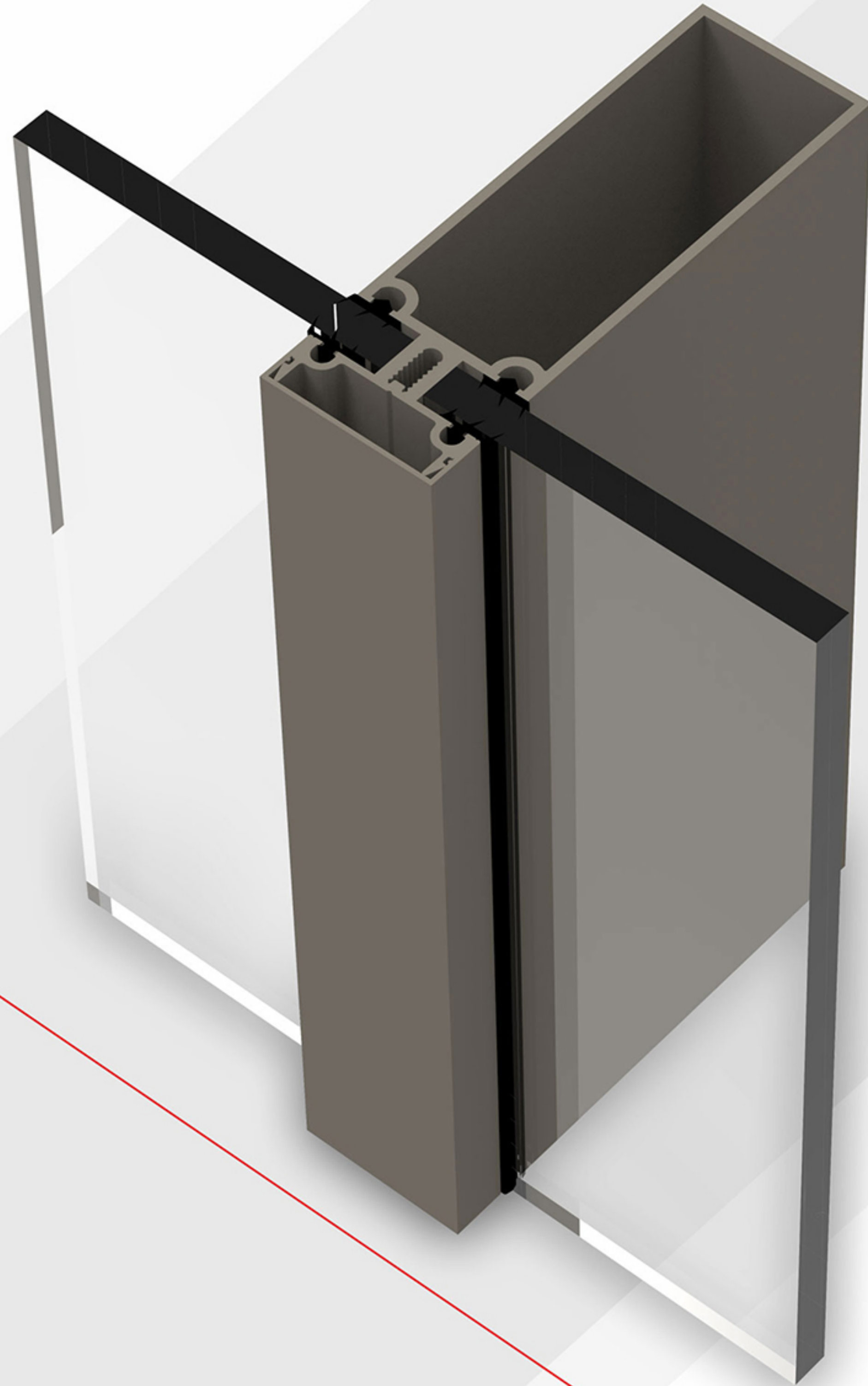
40mm Facade System



TECHNICAL CHARACTERISTICS

| | |
|---------------------------|-------------|
| Mullion / Transom Depth | 40mm |
| Mullion / Transom Height | 40mm & 80mm |
| Window Height (Max) | 2440mm |
| Frame Visible Face | 45mm |
| Middle Frame Visible Face | 45mm |

| | |
|---------------|--------------------------------------|
| Corner Joint | |
| - Frame Joint | 90 Degree |
| - Sash Joint | 90 Degree |
| Glass Range | 6mm - 12mm |
| Locking Type | Single & Multipoint Lock with Handle |



CFS.45

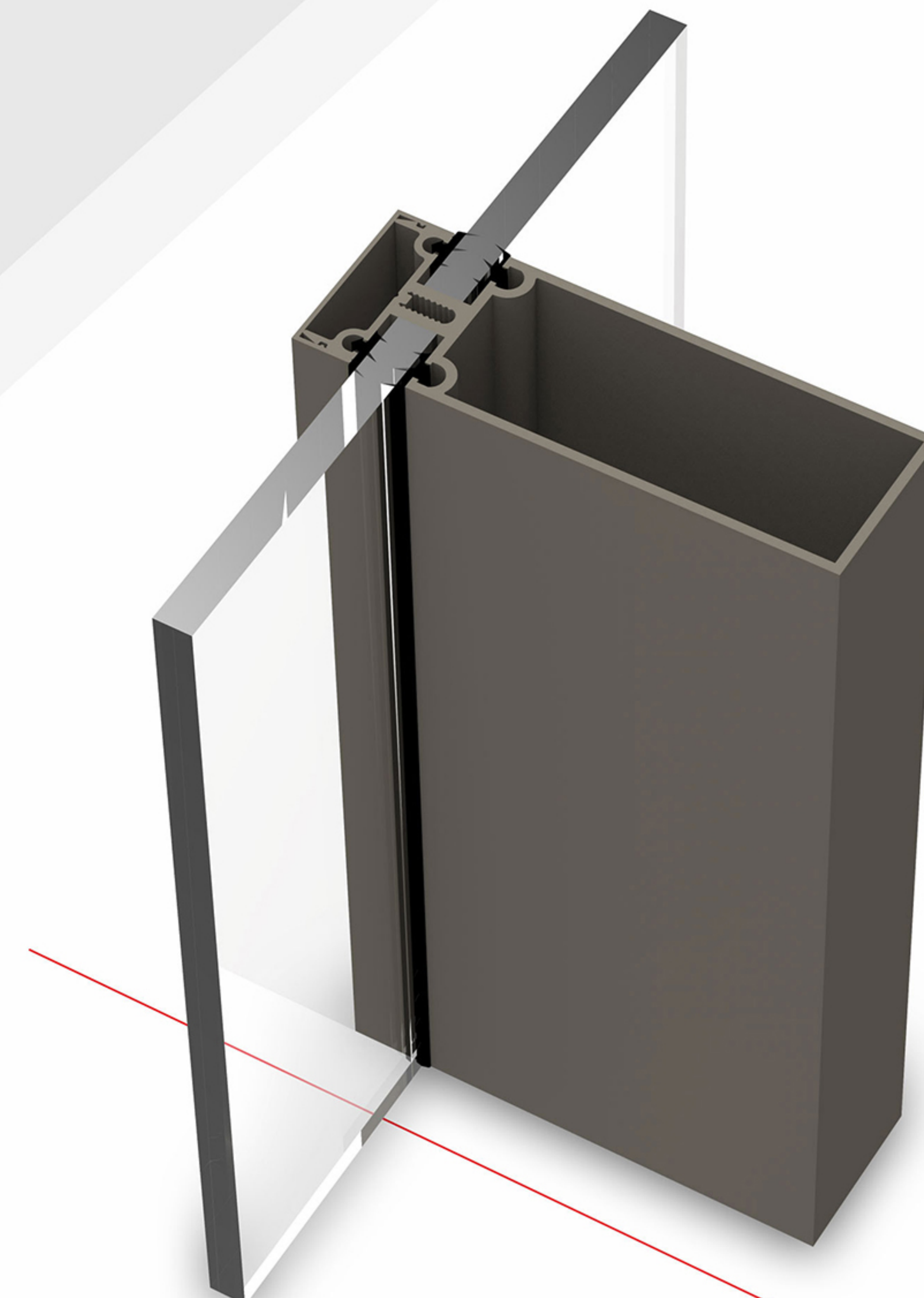
45mm Facade System



TECHNICAL CHARACTERISTICS

| | |
|---------------------------|----------------------|
| Mullion / Transom Depth | 45mm |
| Mullion / Transom Height | 45 / 65 / 80 / 108mm |
| Window Height (Max) | 2440mm |
| Frame Visible Face | 45mm |
| Middle Frame Visible Face | 45mm |

| | |
|---------------|--------------------------------------|
| Corner Joint | |
| - Frame Joint | 90 Degree |
| - Sash Joint | 90 Degree |
| Glass Range | 6mm to 20mm |
| Locking Type | Single & Multipoint Lock with Handle |



CFS.57

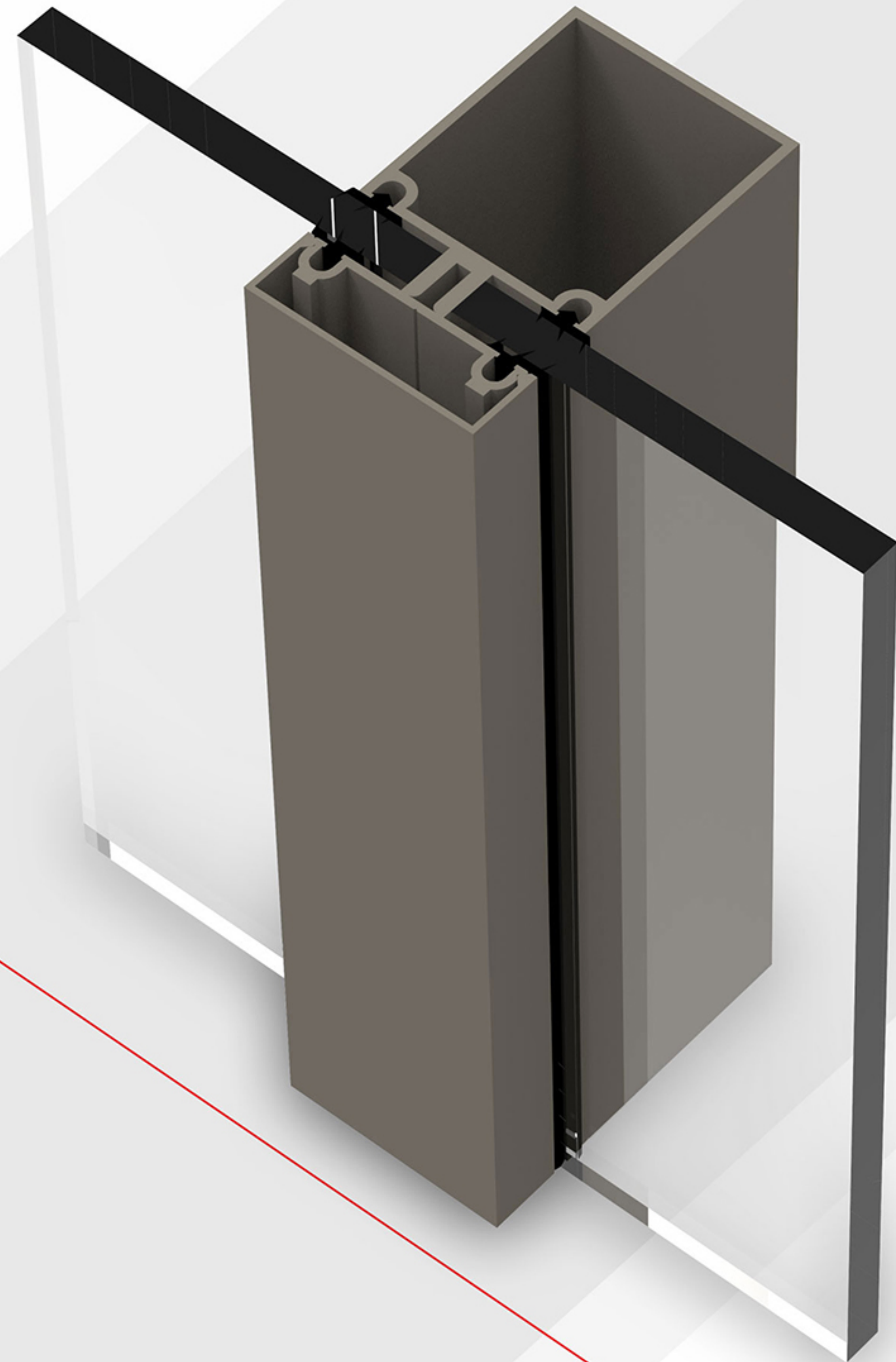
57mm Facade System



TECHNICAL CHARACTERISTICS

| | |
|---------------------------|-----------------------|
| Mullion / Transom Depth | 57mm |
| Mullion / Transom Height | 50 / 70 / 100 / 125mm |
| Window Height (Max) | 3010mm |
| Frame Visible Face | 57mm |
| Middle Frame Visible Face | 57mm |

| | |
|---------------|--------------------------------------|
| Corner Joint | |
| - Frame Joint | 90 Degree |
| - Sash Joint | 90 Degree |
| Glass Range | 6mm - 12mm |
| Locking Type | Single & Multipoint Lock with Handle |



CFS.67

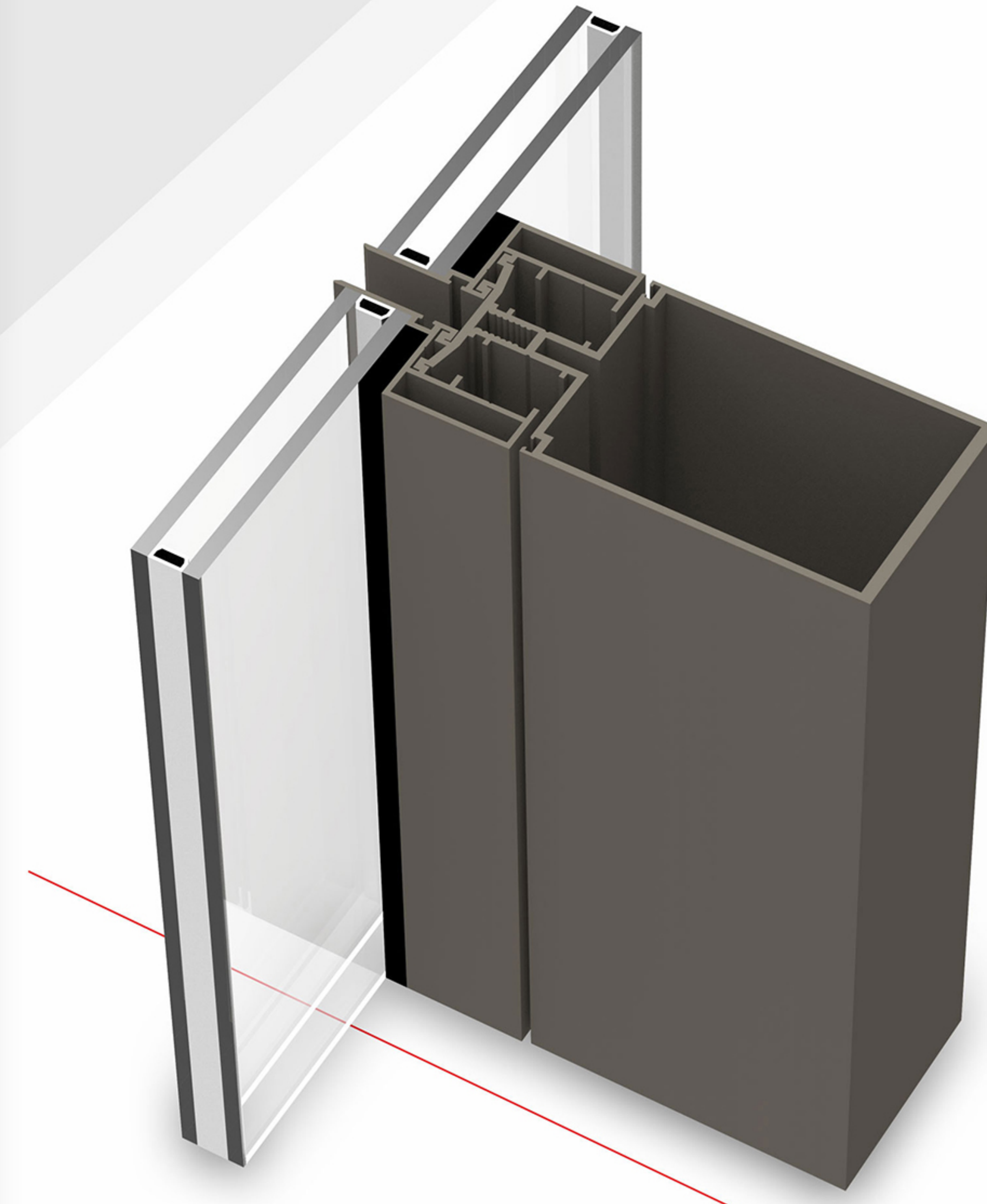
67mm Facade System

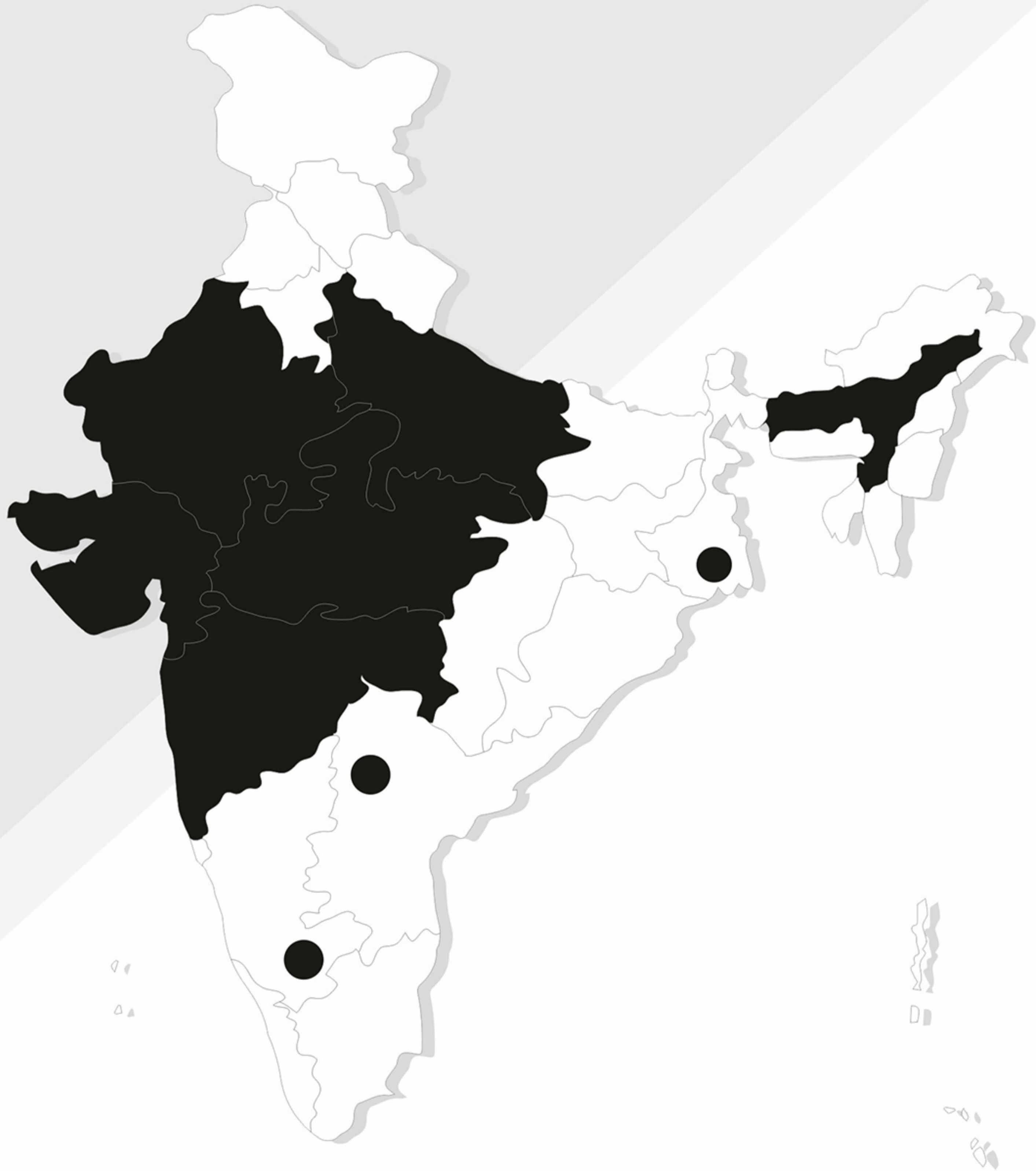


TECHNICAL CHARACTERISTICS

| | |
|---------------------------|------------------------|
| Mullion / Transom Depth | 67mm |
| Mullion / Transom Height | 50 / 100 / 150 / 200mm |
| Window Height (Max) | 3010mm |
| Frame Visible Face | 38mm |
| Middle Frame Visible Face | 67mm |
| Openable Sight Line | 67mm |

| | |
|---------------|--------------------------------------|
| Corner Joint | |
| - Frame Joint | 90 Degree |
| - Sash Joint | 90 Degree |
| Glass Range | 5mm to 24mm |
| Locking Type | Single & Multipoint Lock with Handle |





States where we have

CUSTOMER NETWORK

- Gujarat
- Maharashtra
- Rajasthan
- Madhya Pradesh
- Delhi
- Uttar Pradesh
- Kolkatta
- Bangalore
- Assam
- Hyderabad

Cardinal

Since 1981



Laxmi Trading Co.

OFFICE

15, Ashwarath Complex,
Opp. Fortune Hotel,
Ashram Road, Ushmanpura,
Ahmedabad, Gujarat - 380 013.

EXPERIENCE CENTRE

209, Aaron Spectra,
Rajpath Rangoli Road,
Behind Rajpath Club, Bodakdev,
Ahmedabad, Gujarat - 380 054.

WAREHOUSE

4-5, Suryoday Estate,
Below Chamunda Bridge,
Near Fish Market, Asharwa,
Ahmedabad, Gujarat - 380016.

Phone : (079) 27552997, 27550151, 48005361

Cell : +91 99240 11199, +91 9574511199, +91 9558024881

Email : info@cardinalaluminium.com

www.cardinalaluminium.com

[f](#) [i](#) / cardinalaluminiumsystem

